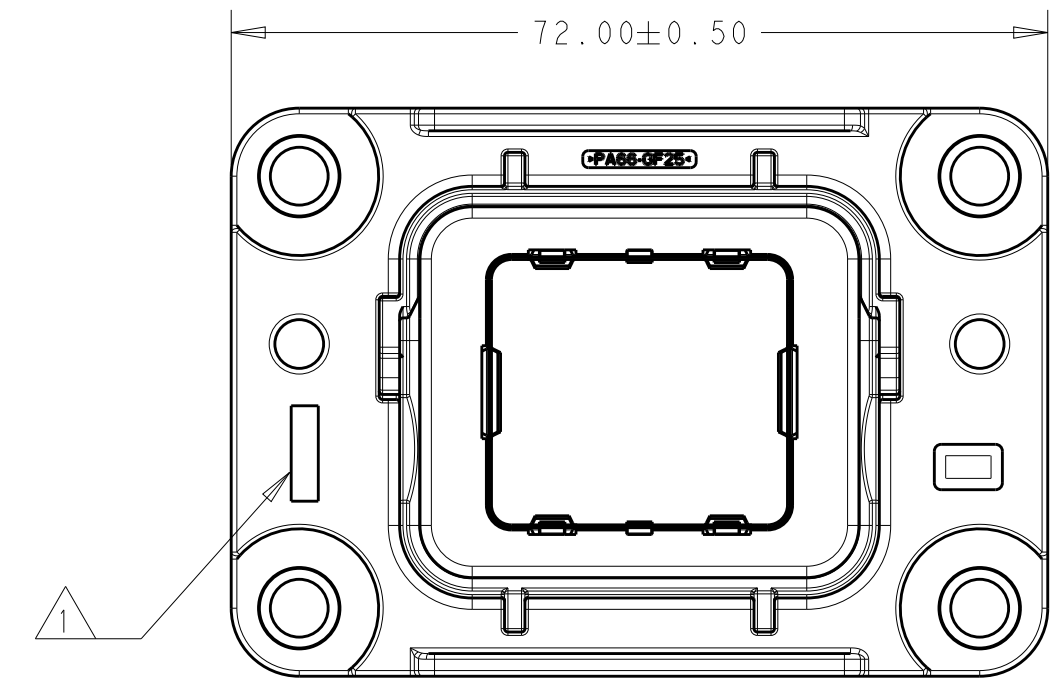
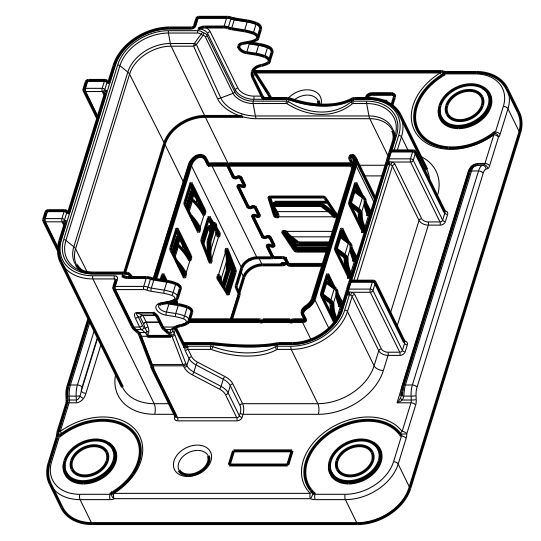
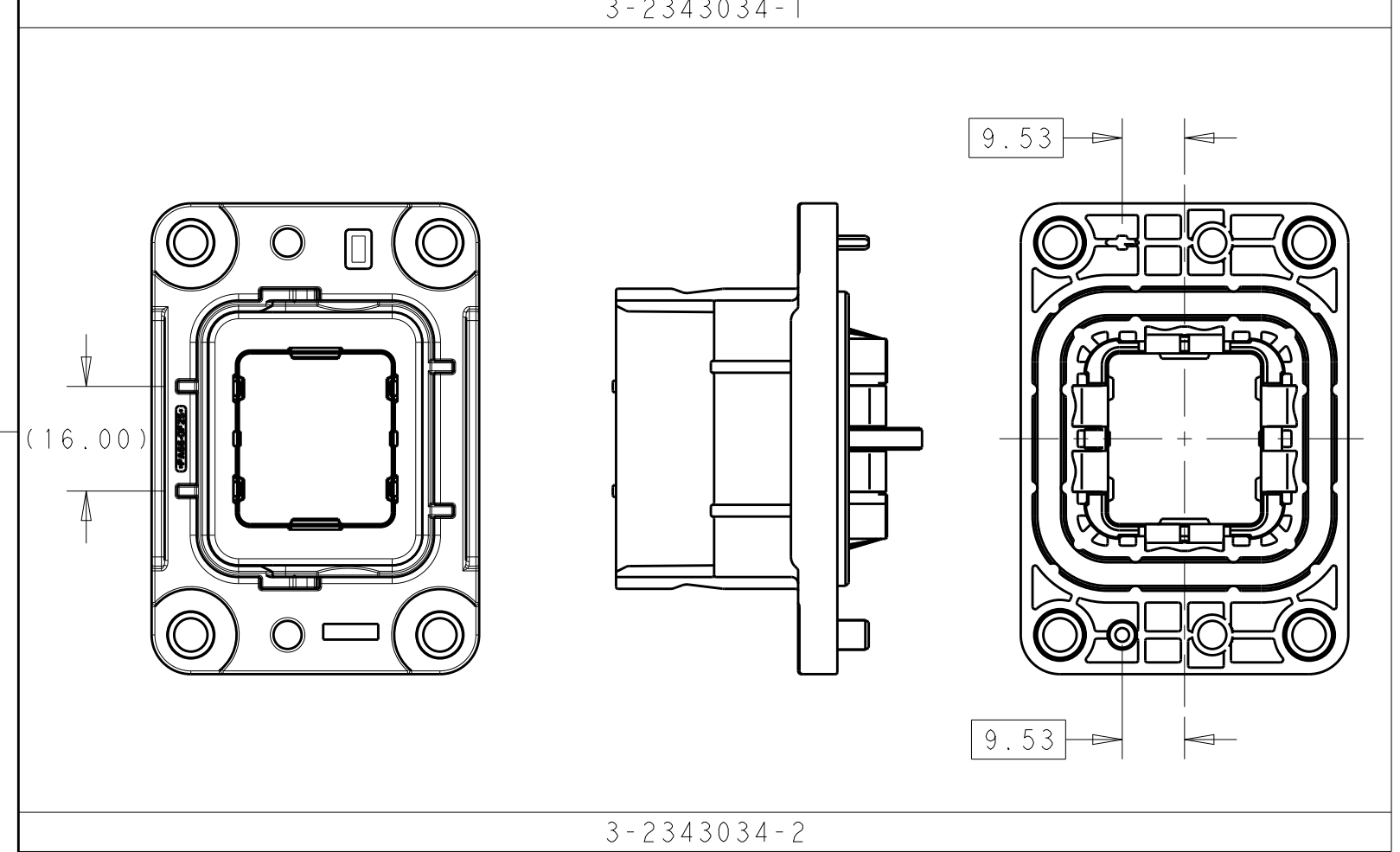
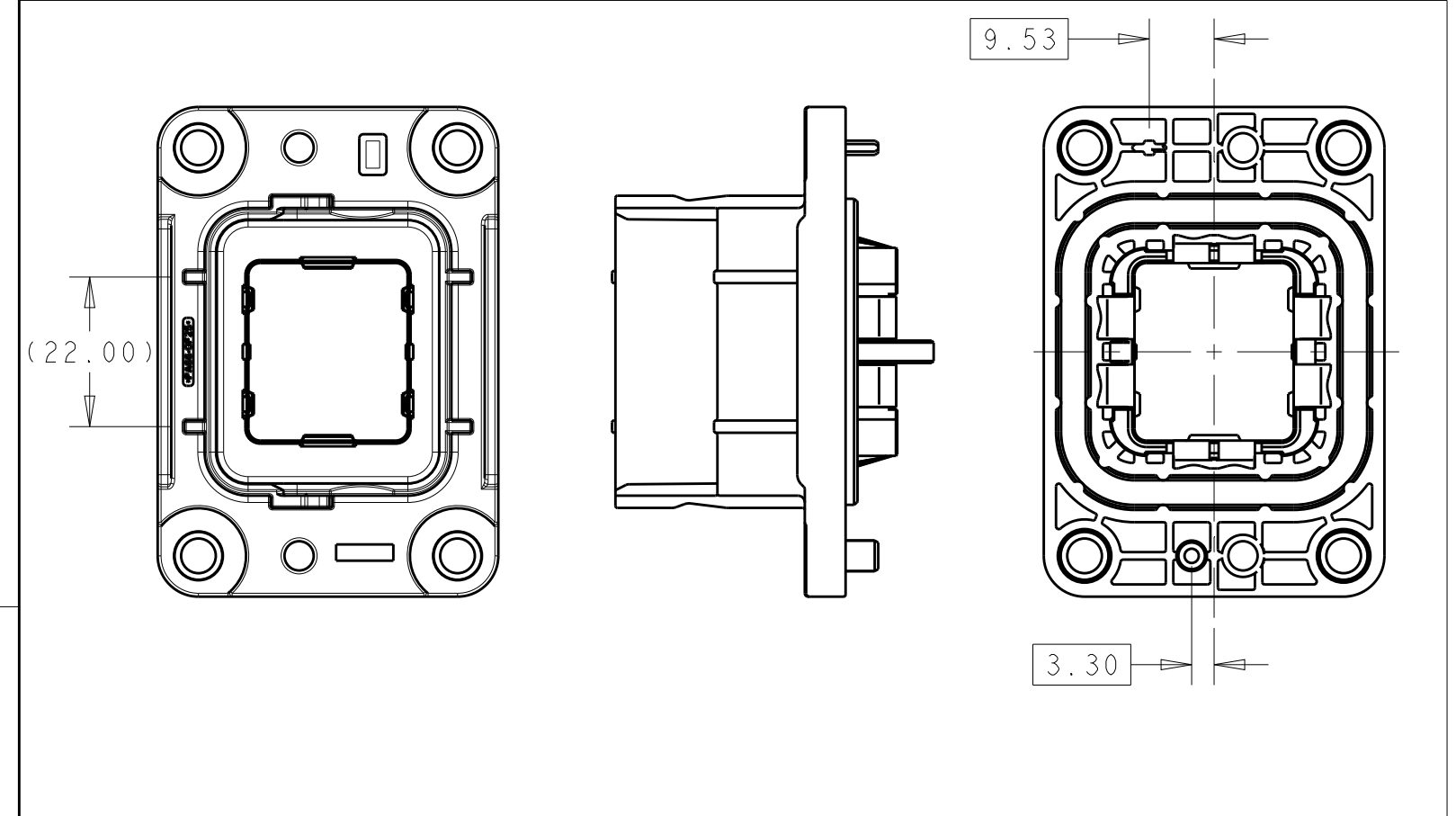
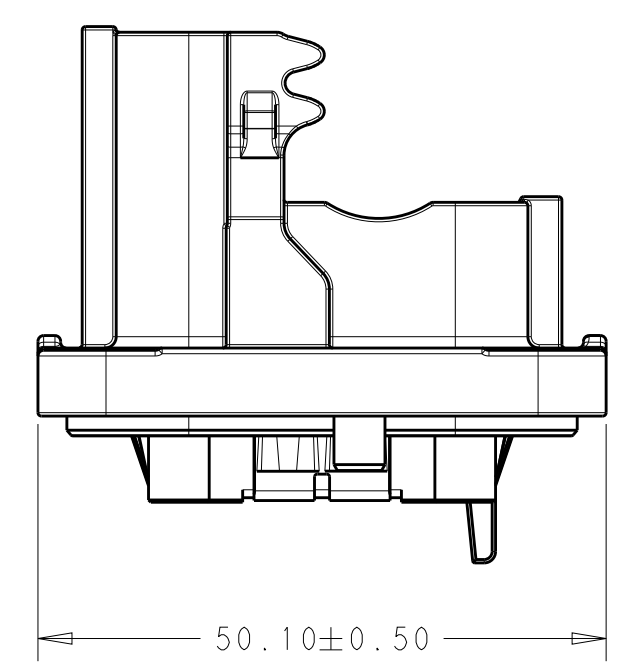


© 2020 TE Connectivity. All Rights Reserved.

| REVISIONS |     |                 |           |     |      |
|-----------|-----|-----------------|-----------|-----|------|
| P         | LTR | DESCRIPTION     | DATE      | DWN | APVD |
|           | A   | INITIAL RELEASE | 11AUG2020 | DL  | TD   |
|           |     |                 |           |     |      |
|           |     |                 |           |     |      |



SCALE 3:2  
3-2343034-1 SHOWN

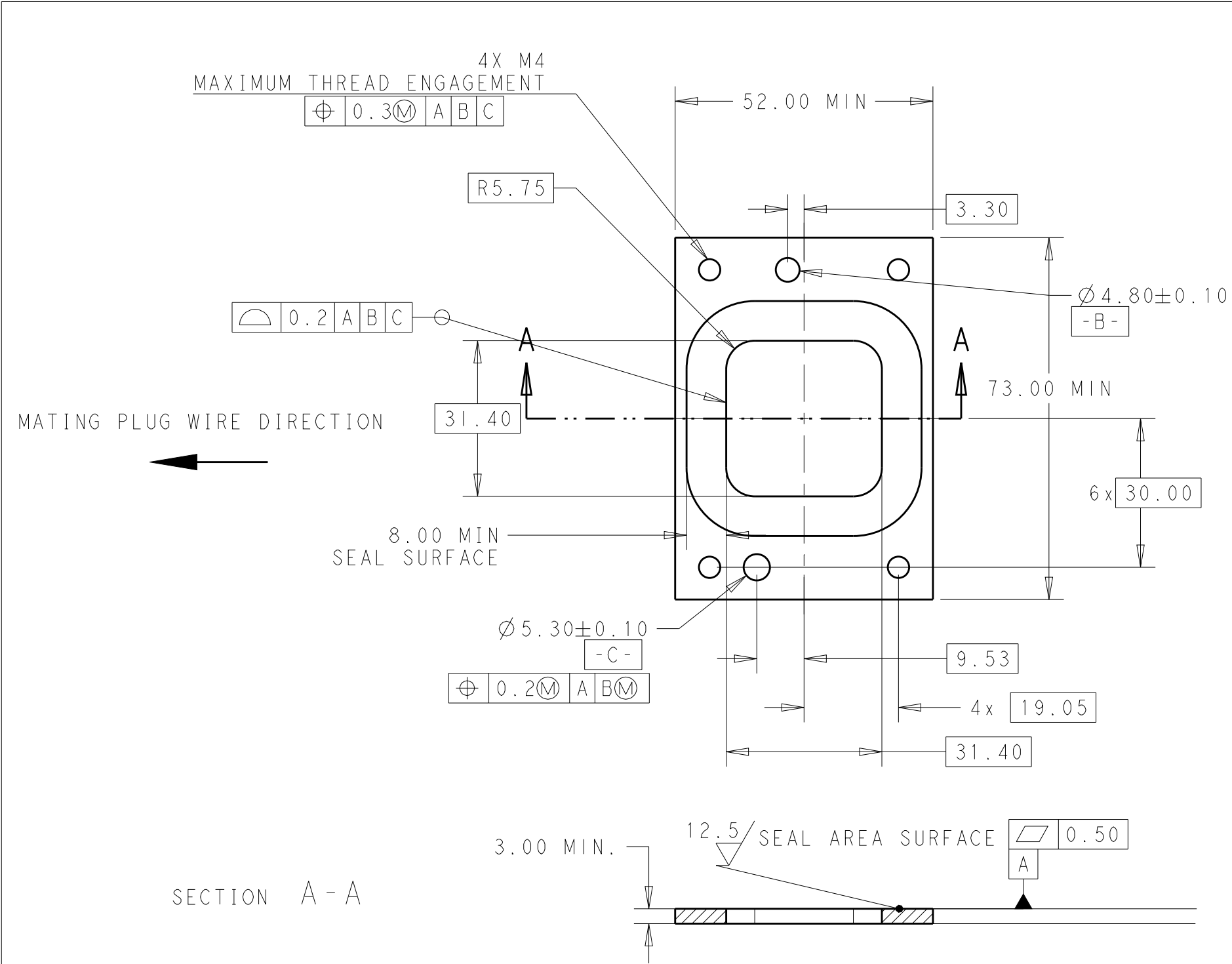


1 IDENTIFICATION MARKING LOCATED ON THIS SURFACE

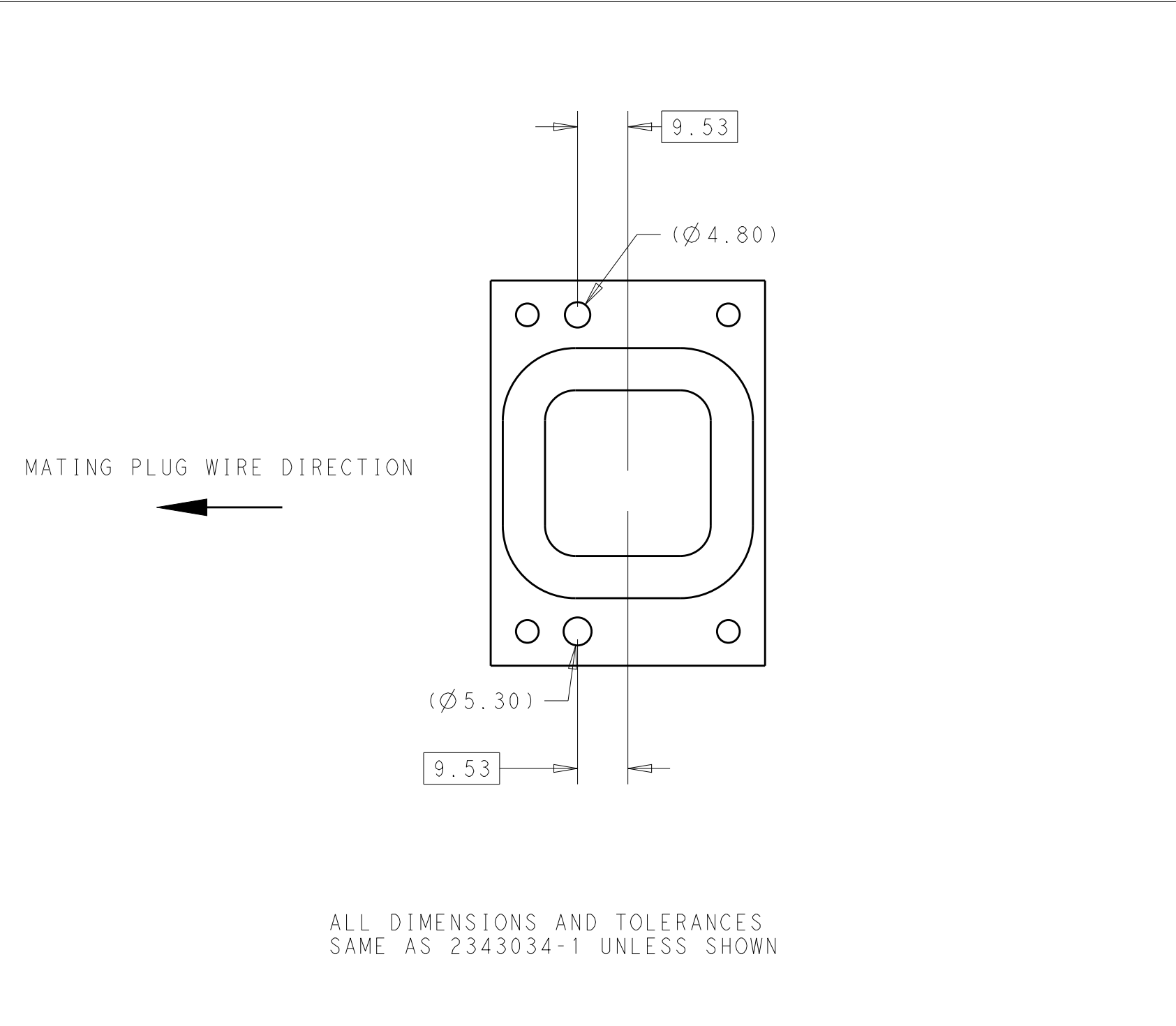
|                         |       |             |
|-------------------------|-------|-------------|
| HC-STAK 25 HEADER KEY B | B     | 3-2343034-2 |
| HC-STAK 25 HEADER KEY A | A     | 3-2343034-1 |
| DESCRIPTION             | INDEX | PART NUMBER |

|  |      |   |                                     |       |
|--|------|---|-------------------------------------|-------|
| THIS DRAWING IS A CONTROLLED DOCUMENT. |      | DWN<br>D. LAZURAN<br>3 JULY 2020        |                                     |       |
| DIMENSIONS:<br>mm                      |      | CHK<br>D. LAZURAN<br>3 JULY 2020        |                                     |       |
| TOLERANCES UNLESS OTHERWISE SPECIFIED: |      | APVD<br>T. DEWITTE<br>3 JULY 2020       | NAME<br>HEADER ASSEMBLY, HC-STAK 25 |       |
| 0 PLC ±                                | ±0.5 | PRODUCT SPEC                            | -                                   |       |
| 1 PLC ±                                | ±0.2 | APPLICATION SPEC                        | -                                   |       |
| 2 PLC ±                                | ±    | WEIGHT                                  | -                                   |       |
| 3 PLC ±                                | ±    | CUSTOMER DRAWING                        | -                                   |       |
| 4 PLC ±                                | ±    | SCALE 1:1                               | SHEET 1 OF 2                        | REV A |
| ANGLES ±                               | ±    | SIZE CAGE CODE DRAWING NO RESTRICTED TO |                                     |       |
| FINISH                                 | -    | A200779 C-2343034                       |                                     |       |

| P | LTR | DESCRIPTION | DATE | DWN | APVD |
|---|-----|-------------|------|-----|------|
| - | -   | SEE SHEET 1 | -    | -   | -    |
|   |     |             |      |     |      |
|   |     |             |      |     |      |


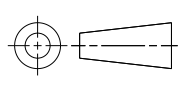


3-2343034-1 - INTERFACE DRAWING



ALL DIMENSIONS AND TOLERANCES SAME AS 2343034-1 UNLESS SHOWN

3-2343034-2 - INTERFACE DRAWING

|   |  |                                   |   |
|---|--|-----------------------------------|---|
| THIS DRAWING IS A CONTROLLED DOCUMENT.  |  | DWN<br>D. LAZURAN<br>3 JULY 2020  |  TE Connectivity |
| DIMENSIONS: mm<br>                     |  | CHK<br>D. LAZURAN<br>3 JULY 2020  |   |
| TOLERANCES UNLESS OTHERWISE SPECIFIED:<br>0 PLC ±<br>1 PLC ±0.5<br>2 PLC ±0.2<br>3 PLC ±<br>4 PLC ±<br>ANGLES ±<br>FINISH ± |  | APVD<br>T. DEWITTE<br>3 JULY 2020 | NAME<br>HEADER/SEAL ASSEMBLY, 4 BOLTS   |
| MATERIAL  |  | PRODUCT SPEC                      | SIZE  |
|   |  | APPLICATION SPEC                  | CAGE CODE   |
|   |  | WEIGHT                            | DRAWING NO  |
|   |  | CUSTOMER DRAWING                  | A200779   |
|   |  | SCALE 1:1                         | DRAWING NO C-2343034  |
|   |  | SHEET 2 OF 2                      | RESTRICTED TO   |
|   |  | REV A                             |   |