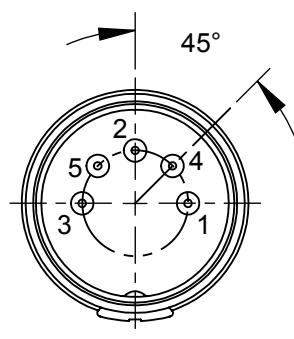
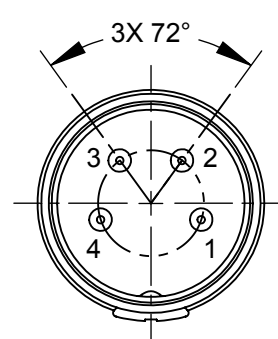


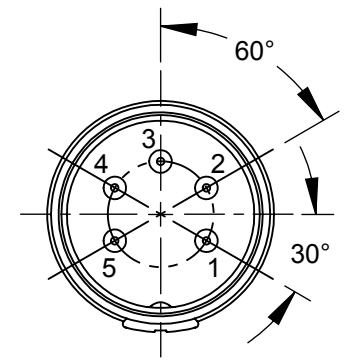
05BL3MX
3 PINS AT 180°



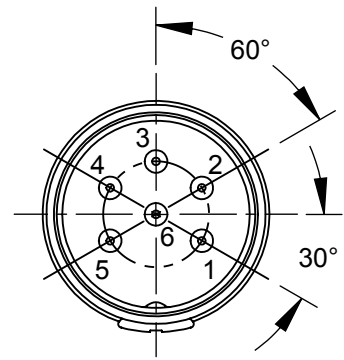
05BL5MX
5 PINS AT 180°



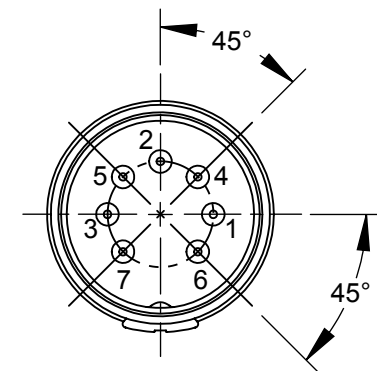
09BL4MX
4 PINS AT 216°



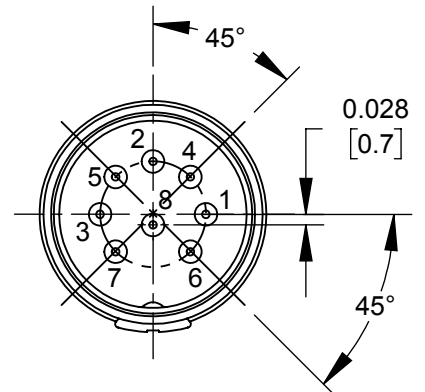
12BL5MX
5 PINS AT 240°



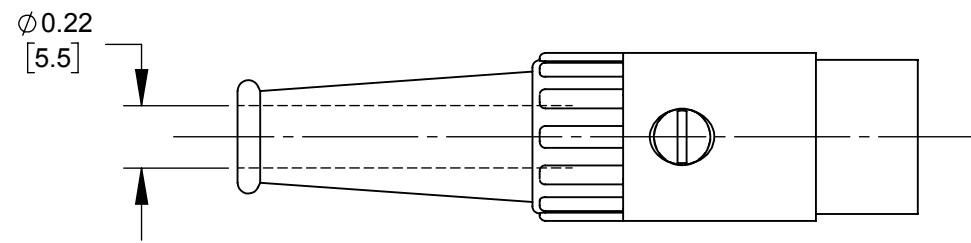
12BL6MX
6 PINS AT 240°



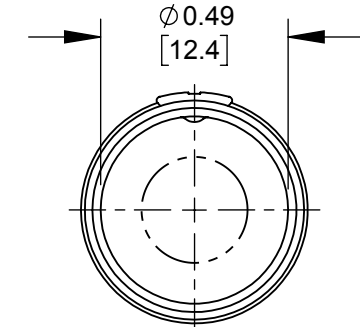
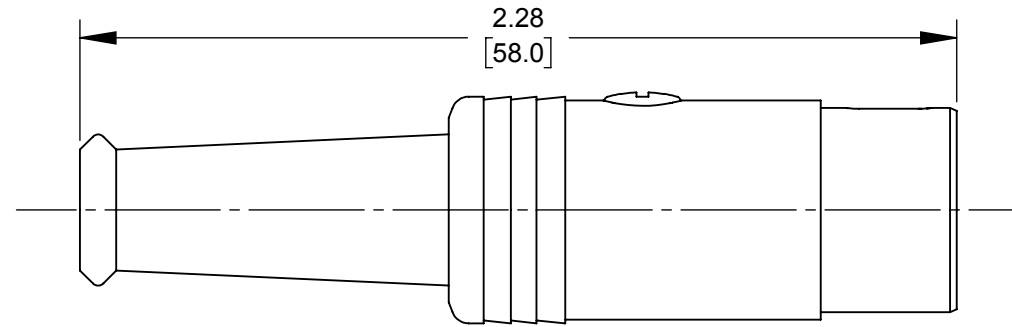
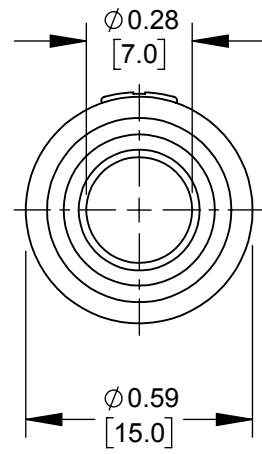
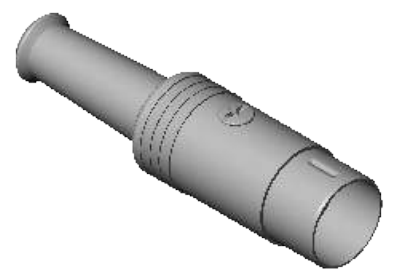
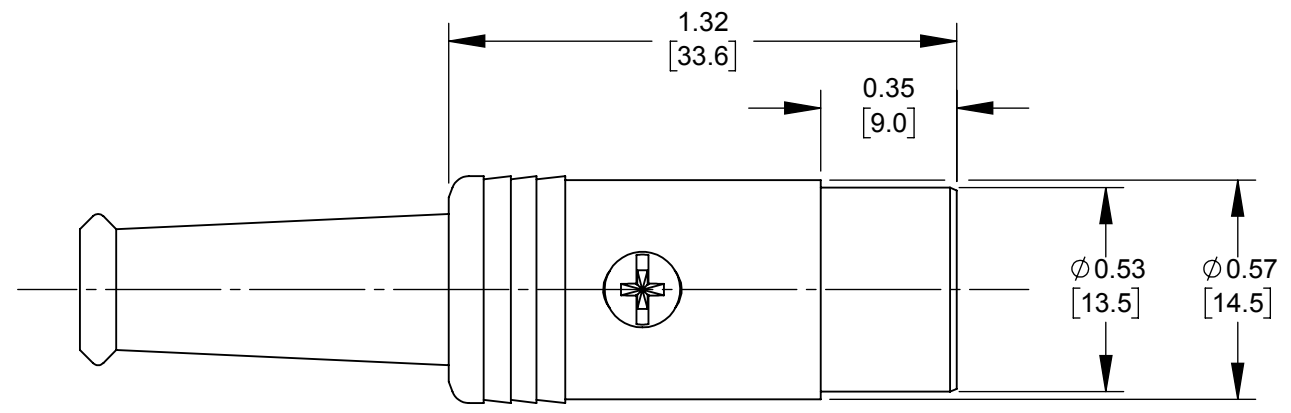
15BL7MX
7 PINS AT 270°



15BL8MX
8 PINS AT 270°



ALTERNATE DESIGN
NICKEL PLATED ZINC ALLOY HOUSING
SCALE 3:2



- NOTES:
- PARTS SHIPPED ASSEMBLED.
 - Ø 0.04 [1.0mm] X 0.06 [1.5mm] DEEP HOLE IN PIN FOR SOLDERING.
 - MATERIALS:
HOUSING - COPPER ALLOY, NICKEL PLATED
FLEX RELIEF - THERMOPLASTIC, BLACK
INSERT - THERMOPLASTIC, BLACK
PINS - COPPER ALLOY, TIN PLATED
CABLE CLAMP - STEEL, NICKEL PLATED
SCREW - STEEL, NICKEL PLATED
 - THESE PRODUCTS ARE RoHS COMPLIANT.

CUSTOMER DRAWING

					THIS DRAWING DESCRIBES A DESIGN CONSIDERED PROPRIETARY IN NATURE, DEVELOPED AND MANUFACTURED BY SWITCHCRAFT INC. AND IS RELEASED ON A CONFIDENTIAL BASIS FOR IDENTIFICATION PURPOSES ONLY.					
					SIZE	WIDTH	MULT	LBS/M	TEMPER	
					FINISH			MATERIAL		
					SPEC No.			SPEC No.		
					FIRST USED ON		SCALE 2:1			
					DATE DRAWN	BY	CHKD TO	APVD TJK		
					5-10-13	TO	5-10-13	5-13-13		
					NAME MALE DIN, 3-8 PIN CORD PLUG CONNECTOR, RoHS				PART No. 05BL_MX, 09BL_MX, 12BL_MX, 15BL_MX SERIES	REV A
REVISIONS					DO NOT SCALE DRAWING					
A	25265 & 26000	3/3/06	TJK	TJK						