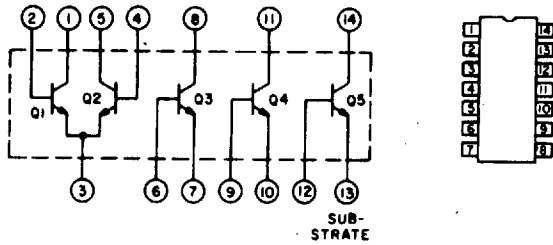




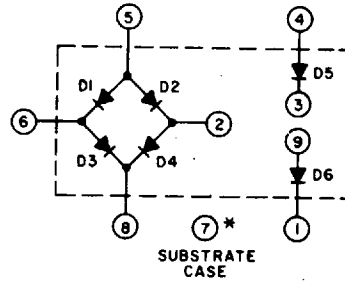
SK3543

High-Volt. Transistor Array
Outline No. IC-015



SK3546

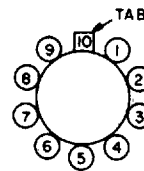
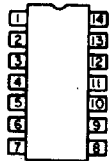
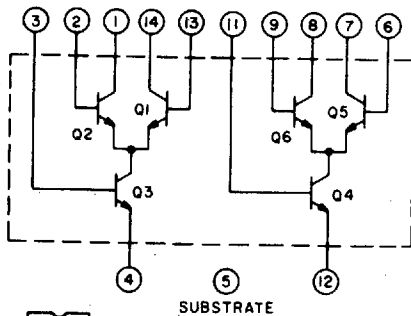
Diode Array
Outline No. IC-003



* CONNECT TO MOST NEGATIVE
CIRCUIT POTENTIAL

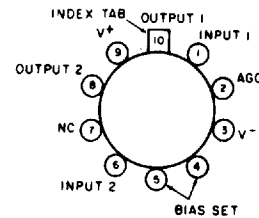
SK3544

Dual Differential Amps
Outline No. IC-015



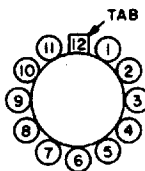
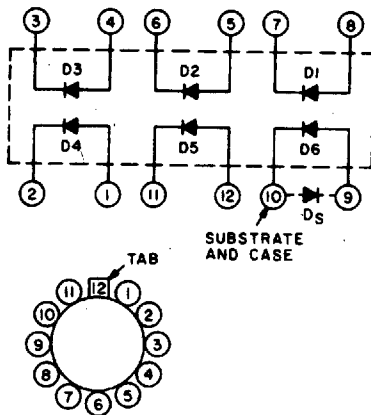
SK3547

DC Differential Amp
Outline No. IC-003



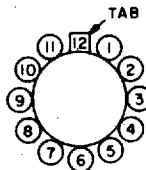
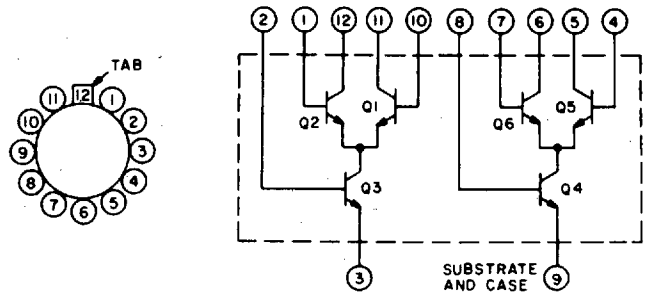
SK3545

Six Diode (Independent) Array
Outline No. IC-006



SK3548

Dual VHF Differential Amps
Outline No. IC-006



* Static - sensitive device; observe MOS handling precautions.