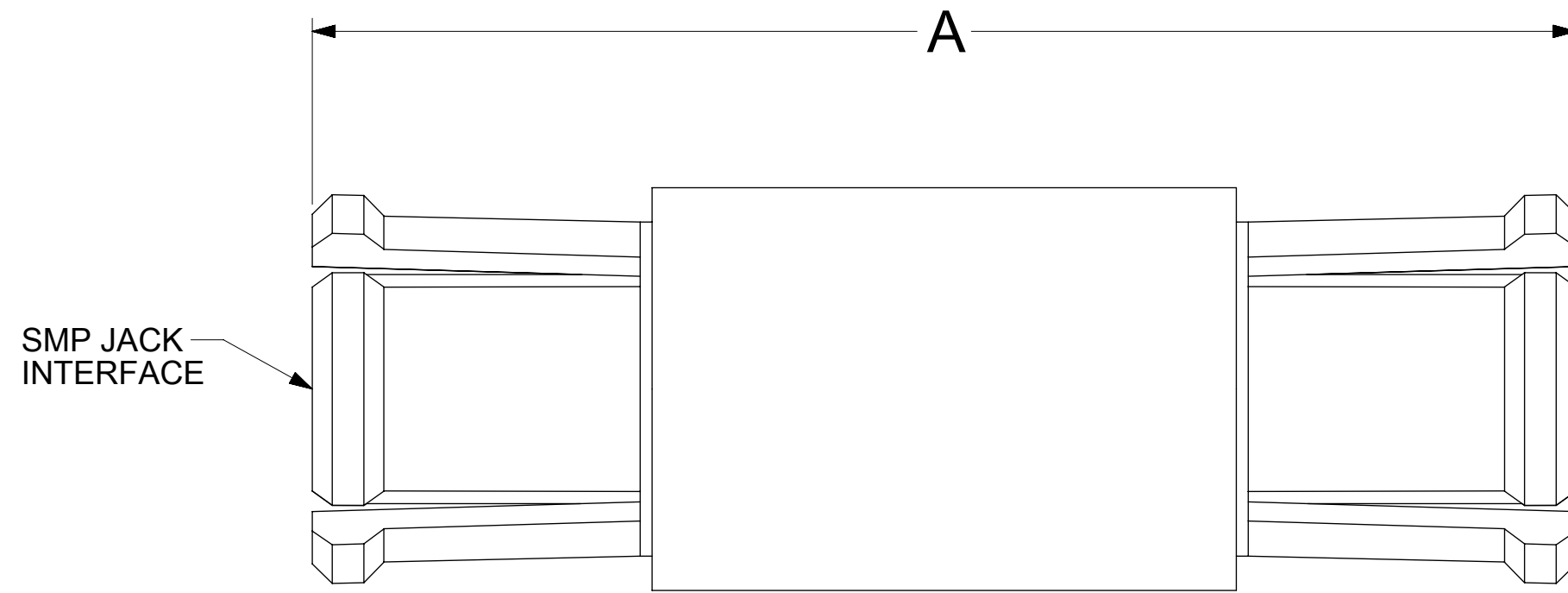


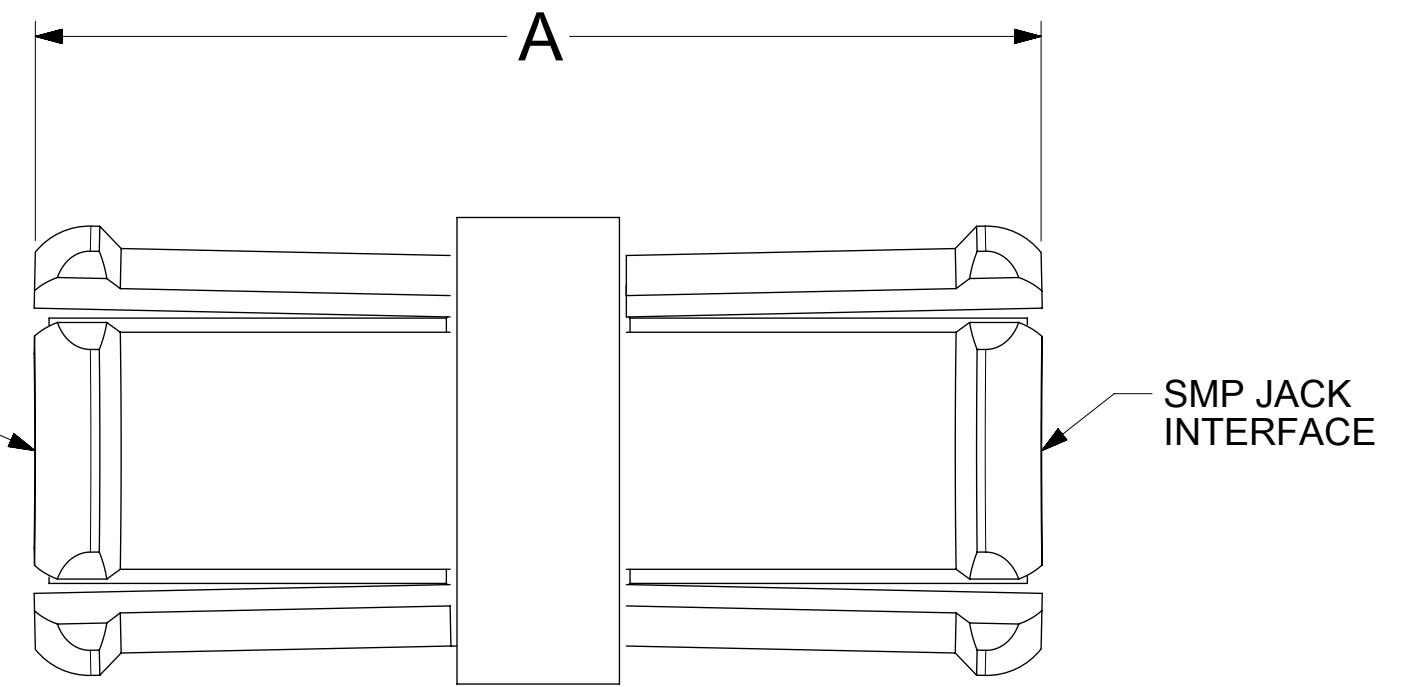
MATERIALS AND FINISHES:

BODY, CONTACT: BERYLLIUM COPPER
PLATING: SEE TABLE

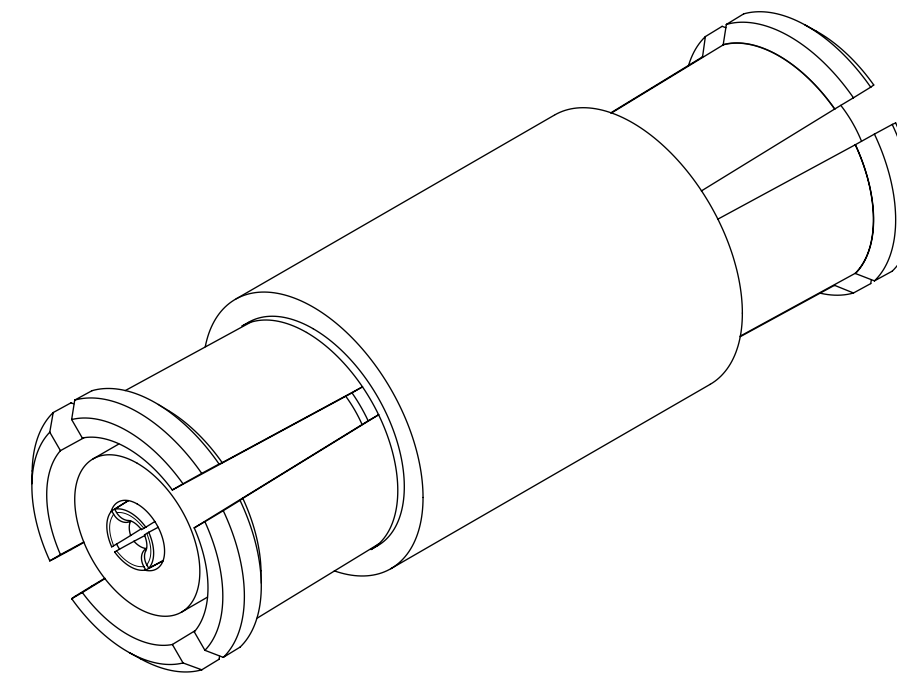
INSULATORS: PTFE



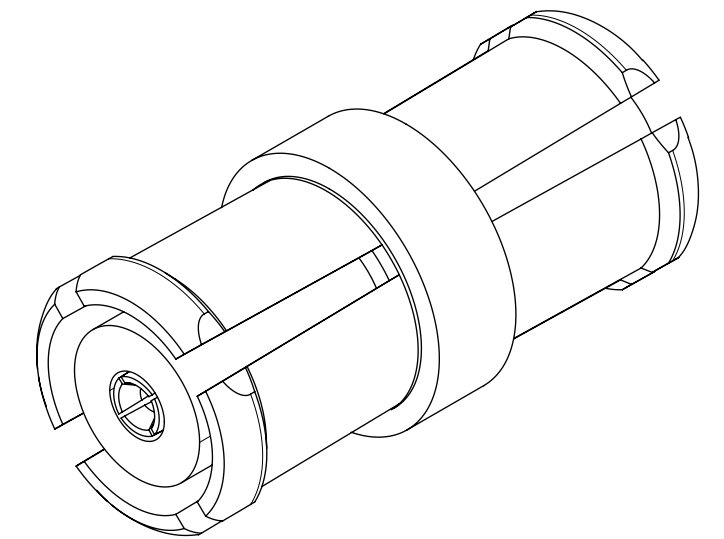
VIEW FOR 73406-6400 THRU -6409



VIEW FOR 73406-6410 THRU -6412



73406-6400 THRU -6409



73406-6410 THRU -6412

73406-6412	1.051±.002	26.70±0.05	GOLD (30μ-in MIN) OVER NICKEL (100μ-in MIN)	TRAY (54 CAVITY)	73406-6412
73406-6411	.414±.002	10.52±0.05		TRAY (80 CAVITY)	73406-6411
73406-6410	.291±.002	7.39±0.05			73406-6410
73406-6409	.497±.002	12.63±0.05		TRAY (54 CAVITY)	73406-6409
73406-6408	1.033±.002	26.25±0.05			73406-6408
73406-6407	1.001±.002	25.43±0.05			73406-6407
73406-6406	.806±.002	20.47±0.05		TRAY (80 CAVITY)	73406-6406
73406-6405	.474±.002	12.04±0.05	73406-6405		
73406-6404	.882±.002	22.40±0.05	GOLD (10μ-in MIN) OVER NICKEL (100μ-in MIN)	TRAY (54 CAVITY)	73406-6404
73406-6403	.449±.002	11.40±0.05		TRAY (80 CAVITY)	73406-6403
73406-6402	.606±.002	15.40±0.05	73406-6402		
73406-6401	.488±.002	12.40±0.05	GOLD (30μ-in MIN) OVER NICKEL (100μ-in MIN)		73406-6401
73406-6400	.425±.002	10.77±0.05		73406-6400	
PART NO.	IN	MM	PLATING	PACKAGING	PART NO.
	DIM A				

SYMBOLS		THIS DRAWING CONTAINS INFORMATION THAT IS PROPRIETARY TO MOLEX ELECTRONIC TECHNOLOGIES, LLC AND SHOULD NOT BE USED WITHOUT WRITTEN PERMISSION			
		DIMENSION UNITS		SCALE	
▽ = 0		IN/MM	NTS		
▽ = 0		GENERAL TOLERANCES (UNLESS SPECIFIED)			
▽ = 0			MM	INCH	
▽ = 0		4 PLACES ±		±	
▽ = 0		3 PLACES ±		± 0.005	
▽ = 0		2 PLACES ±	0.13	± 0.01	
▽ = 0		1 PLACE ±	0.25	±	
▽ = 0		0 PLACES ±		±	
▽ = 0		ANGULAR TOL ± 2.0°			
▽ = 0		DRAFT WHERE APPLICABLE MUST REMAIN WITHIN DIMENSIONS			
▽ = 0		THIRD ANGLE PROJECTION		DRAWING	SERIES
				C-SIZE	73406
		CURRENT REV DESC: REDRAWN AND REVISED			
		EC NO: 612470		2019/02/08	
		DRWN: LMEIER		2019/02/20	
		CHK'D: AROBERTSON		2019/02/20	
		APPR: AROBERTSON		2019/02/20	
		INITIAL REVISION:			
		DRWN: JLEE02		2008/06/25	
		APPR: JWIENER		2008/06/25	
		DOCUMENT NUMBER		DOC TYPE	DOC PART
		SD-73406-640		PSD	001
		REVISION		A10	
		MATERIAL NUMBER		CUSTOMER	SHEET NUMBER
		SEE TABLE			1 OF 1

PS-89675-3320		PRODUCT SPECIFICATION			
MIL-STD-348B, FIG. 326.1		INTERFACE			
SPECIFICATION		DESCRIPTION			
DOCUMENT STATUS	P1	RELEASE DATE	2019/02/20	21:02:04	