

MATERIALS AND FINISHES

BODY BRASS OR ZINC ALLOY
PLATED TIN

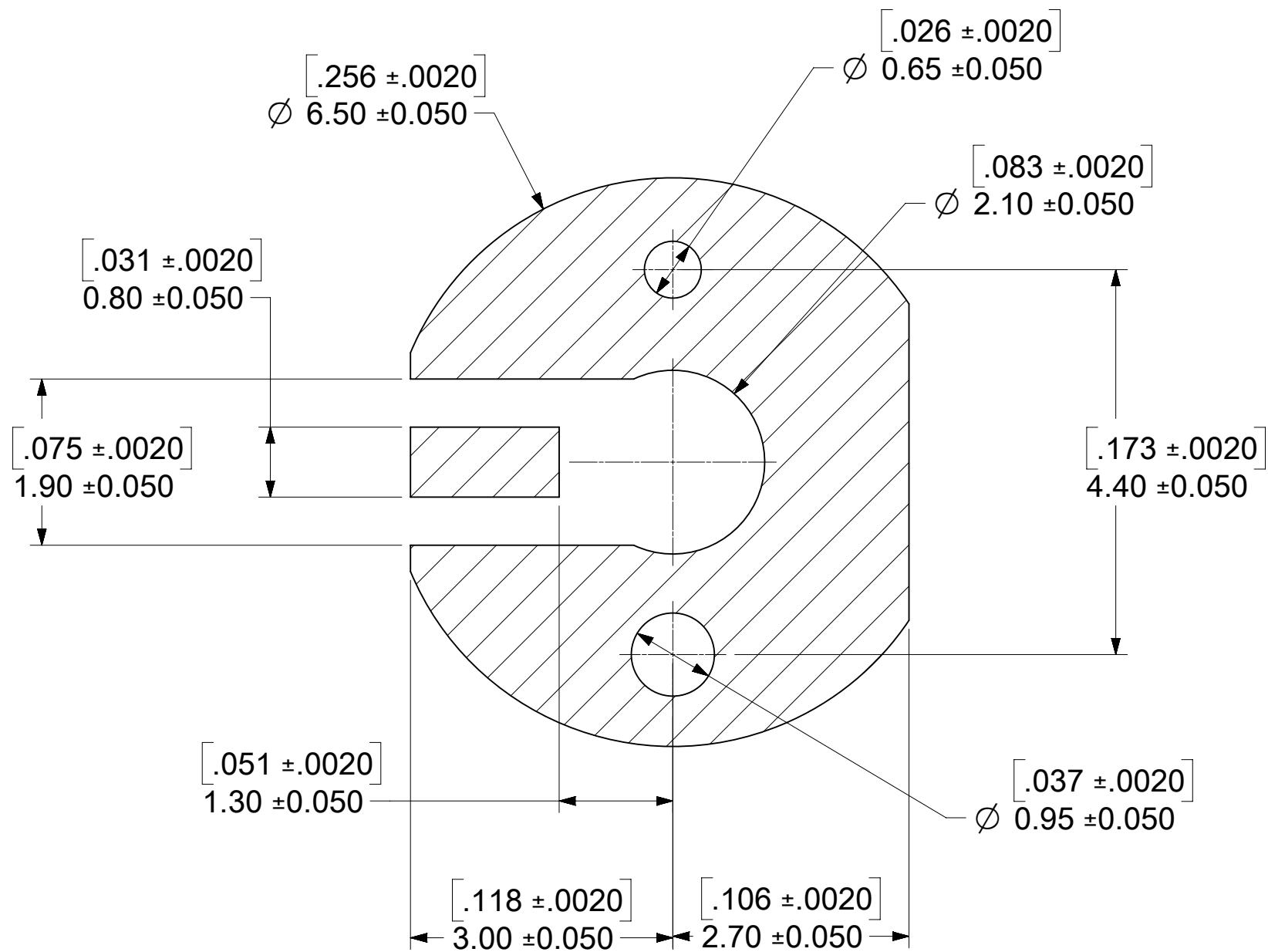
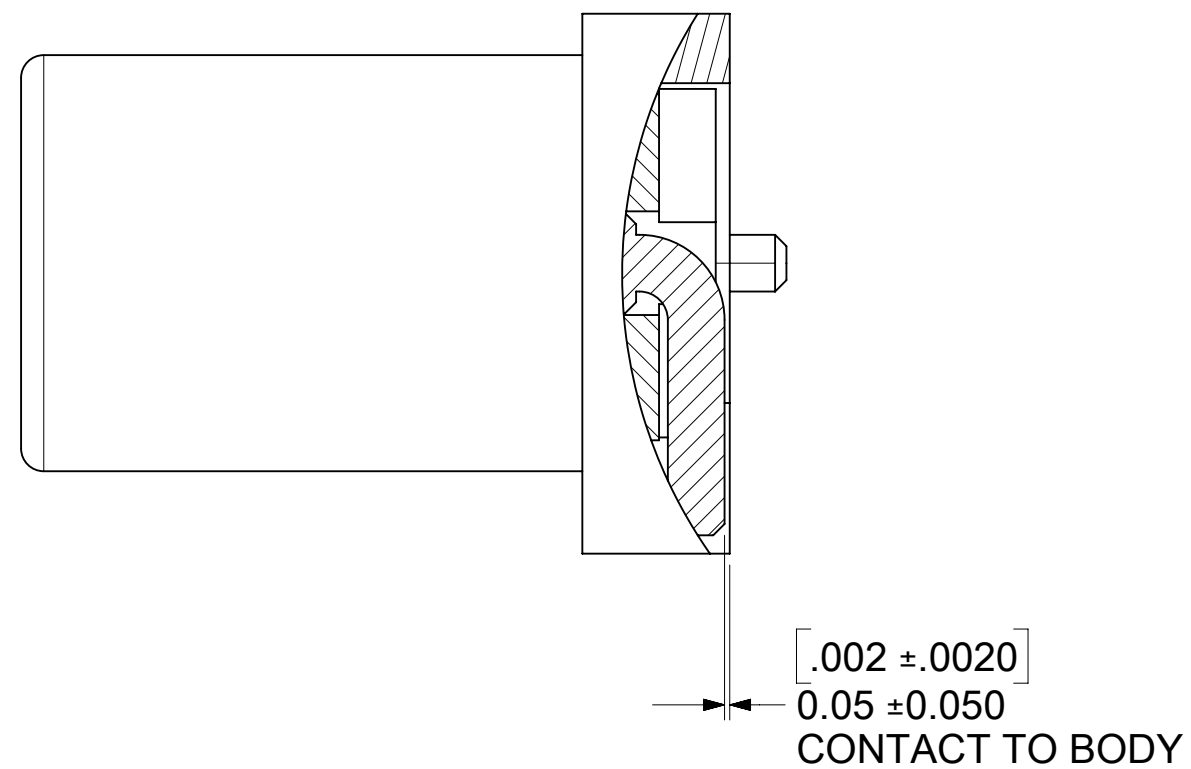
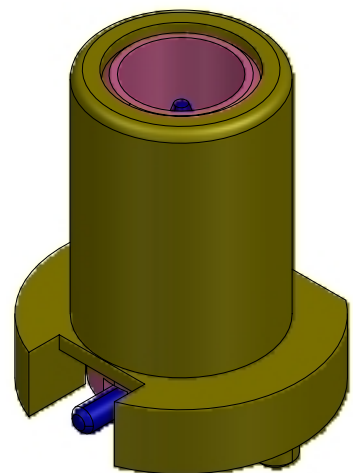
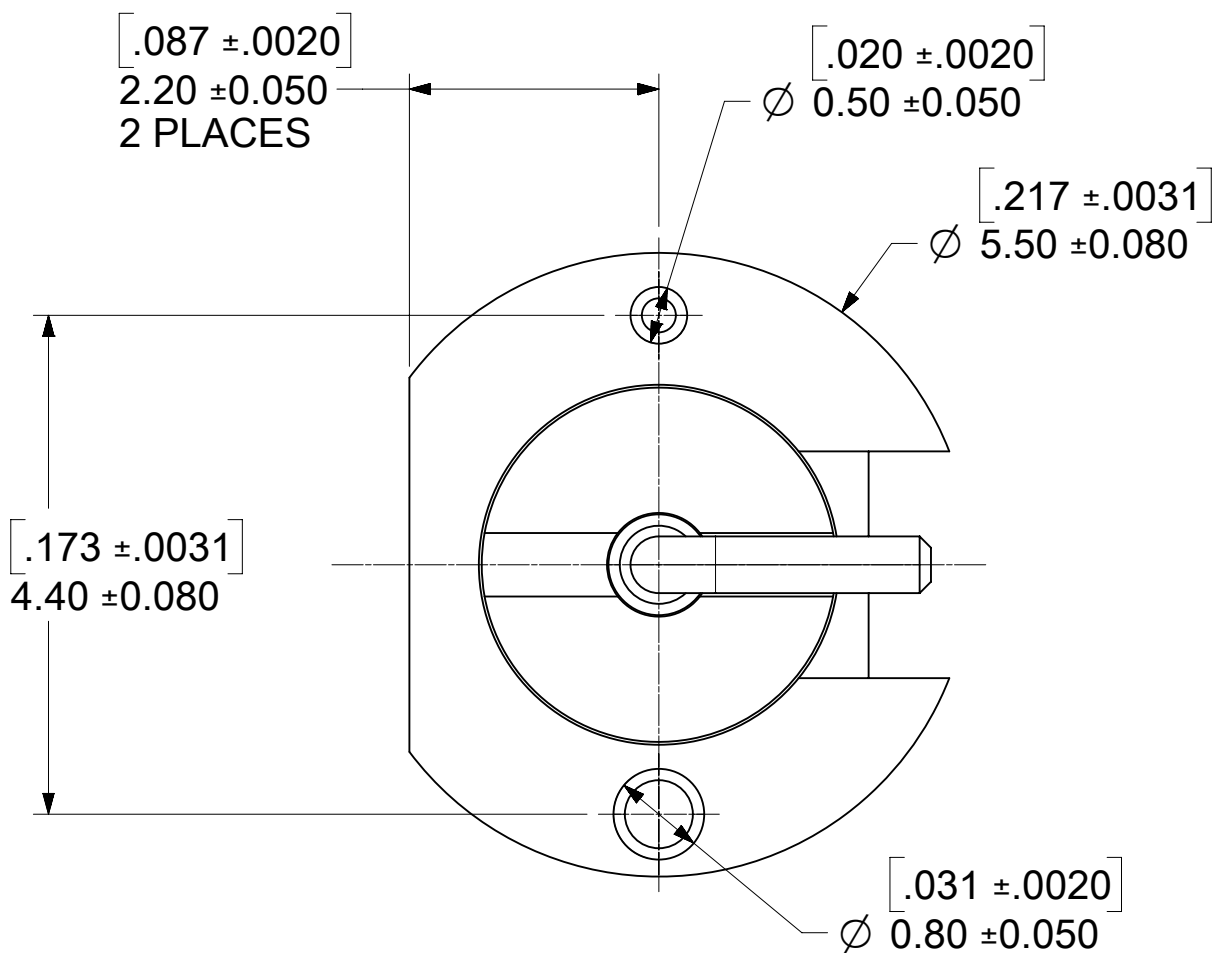
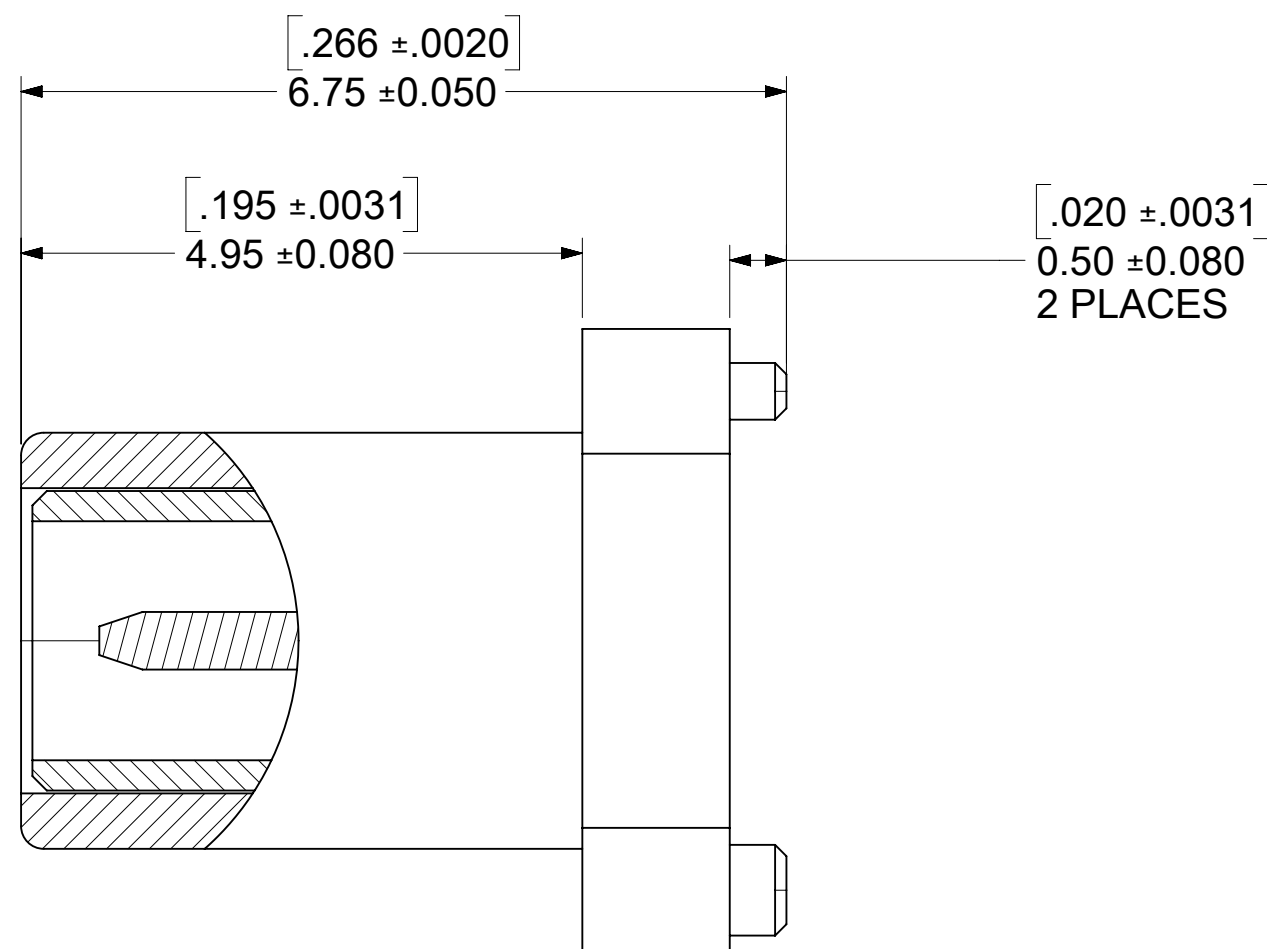
CENTER CONTACT BRASS
PLATED GOLD

INSULATOR TEFLON

PACKAGE BY TRAY (895420040)

PRODUCT SPECIFICATION:

- 1. VSWR: 1.22 MAX. @ 4GHz
- 2. INSERTION LOSS: 0.2dB MAX. @ 4GHz



RECOMMENDED PCB MOUNTING HOLE

THIS DRAWING CONTAINS INFORMATION THAT IS PROPRIETARY TO MOLEX ELECTRONIC TECHNOLOGIES, LLC AND SHOULD NOT BE USED WITHOUT WRITTEN PERMISSION									
DIMENSION UNITS	SCALE	CURRENT REV DESC: ADDED DIM. PER EWR # 11706-C							
HYBRID	NTS	<p>molex</p> <p>SMB JACK VERTICAL PCB TYPE SMB-J</p> <p>PRODUCT CUSTOMER DRAWING</p>							
GENERAL TOLERANCES (UNLESS SPECIFIED)									
ANGULAR TOL	± 2.0°	EC NO: 690303	2021/12/14						
4 PLACES	±	DRWN: ELIN	2021/12/27						
3 PLACES	±	CHK'D: YCHENG	2021/12/27						
2 PLACES	±	APPR: YCHENG	2021/12/27						
1 PLACE	±	INITIAL REVISION:							
0 PLACES	±	DRWN: ELIN	2016/07/01						
		APPR: YCHENG	2017/12/05						
DRAFT WHERE APPLICABLE MUST REMAIN WITHIN DIMENSIONS	THIRD ANGLE PROJECTION	DRAWING	SERIES	MATERIAL NUMBER	CUSTOMER	SHEET NUMBER			
		C-SIZE	73404	734046460	GENERAL MARKET	1 OF 1			

PS-89675-354	PRODUCT SPEC.
SPECIFICATION	DESCRIPTION

DOCUMENT STATUS	P1	RELEASE DATE	2021/12/27	08:52:12
-----------------	----	--------------	------------	----------