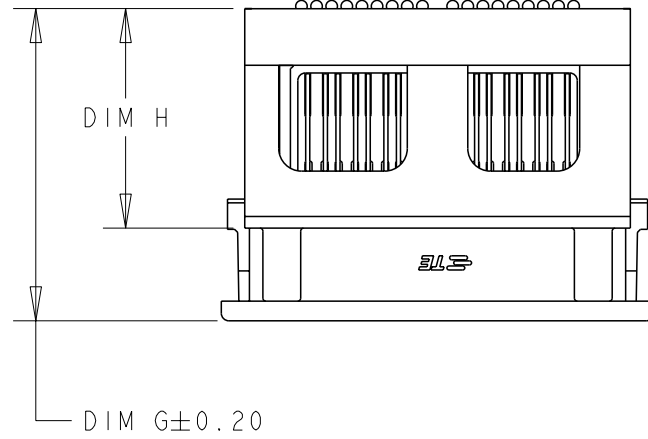
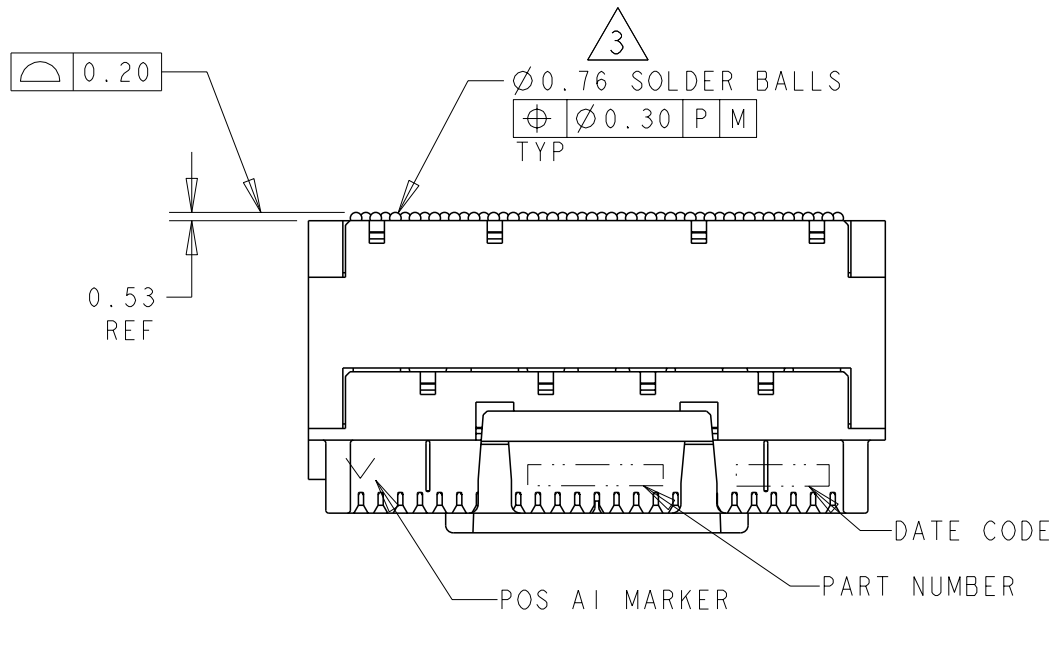


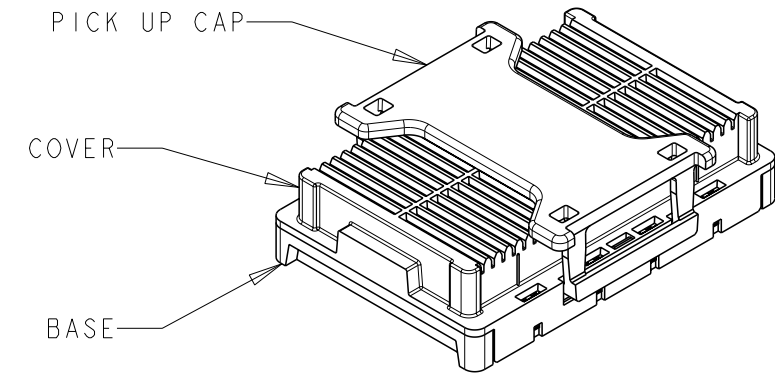
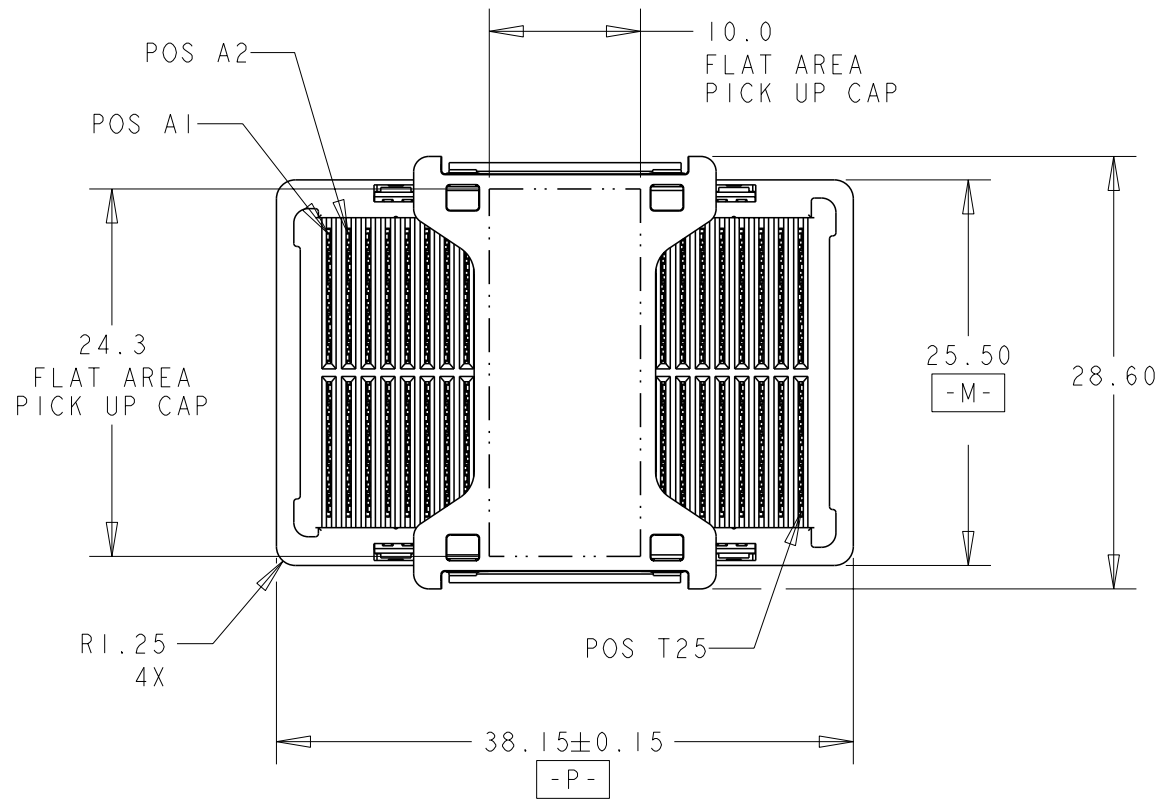
© 2021 TE Connectivity. All Rights Reserved.

REVISIONS


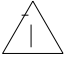

P	LTR	DESCRIPTION	DATE	DWN	APVD
	B	REVISED PER ECO-20-017117	26APR2021	AP	RW



TYPICAL ASSEMBLY
15mm SHOWN
SCALE 2:1



ISOMETRIC VIEW
TYPICAL CONFIGURATION
FOR 5mm ASSEMBLY
SCALE 3:2

THIS DRAWING IS A CONTROLLED DOCUMENT.		DWN B. CARBO 07NOV2007	 TE Connectivity	NAME STEP-Z, RECEPTACLE ASSEMBLY, 200 SIGNAL POSITION -
DIMENSIONS: mm		CHK D. DIXON 07NOV2007		
TOLERANCES UNLESS OTHERWISE SPECIFIED:		APVD D. DIXON 07NOV2007		
0 PLC ±- 1 PLC ±0.3 2 PLC ±0.10 3 PLC ±0.050 4 PLC ±- ANGLES ±2°		PRODUCT SPEC 108-2143		
MATERIAL		APPLICATION SPEC 114-13101	SIZE A3	CAGE CODE 300779
FINISH		WEIGHT -	DRAWING NO C-2007615	RESTRICTED TO
 1		 2		SCALE 2:1
CUSTOMER DRAWING			SHEET 1 OF 4	REV B

printed on 26 Apr 2021 09:04 from FRO19828

REVISIONS

P	LTR	DESCRIPTION	DATE	DWN	APVD
-		SEE SHEET 1	-	-	-

1 MATERIAL:
 BASE, SPACER, COVER: THERMOPLASTIC
 PICK UP CAP: THERMOPLASTIC
 CONTACT: COPPER ALLOY
 SOLDER BALL: Sn/Pb FOR P/N 1761615-1 THRU 5-1761615-0
 Sn/Ag FOR P/N 5-1761615-1 THRU 9-1761615-9

2 FINISH:
 CONTACT: 0.00076 MIN GOLD OVER 0.00127 MIN NICKEL.
 (30µ" MIN GOLD OVER 50µ" MIN NICKEL)

3 SOLDER BALLS WILL NOT BE PERFECT
 SPHERICAL SHAPE DUE TO REFLOW ATTACHMENT.

4 CONTACTS IN ROWS A,C,E,G,J,K,M,P,R, AND T
 ARE SINGLE BEAM CONTACTS,
 TYPICALLY USED AS GROUND PINS.
 (NOTE: CONTACTS IN ROWS J & K ARE TIED
 TOGETHER [COMMONED]).

5 CONTACTS IN ROWS B,D,F,H,L,N,Q, AND S
 ARE DUAL BEAM CONTACTS,
 TYPICALLY USED AS SIGNAL PINS.

6 SPECIFIED POSITIONAL TOLERANCE DEFINES PAD TO PAD
 LOCATION WITHIN LAND PATTERN. POSITIONAL TOLERANCE
 OF LAND PATTERN TO FUDICIAL MARKS OR PCB DATUMS
 SHALL BE DEFINED BY CUSTOMER. FOR RECOMMENDED
 PRODUCT APPLICATION AND PCB DESIGN DETAILS, SEE
 APPLICATION SPEC 114-13101.

7 SOLDER PADS UNUSED, MAY BE OMITTED.

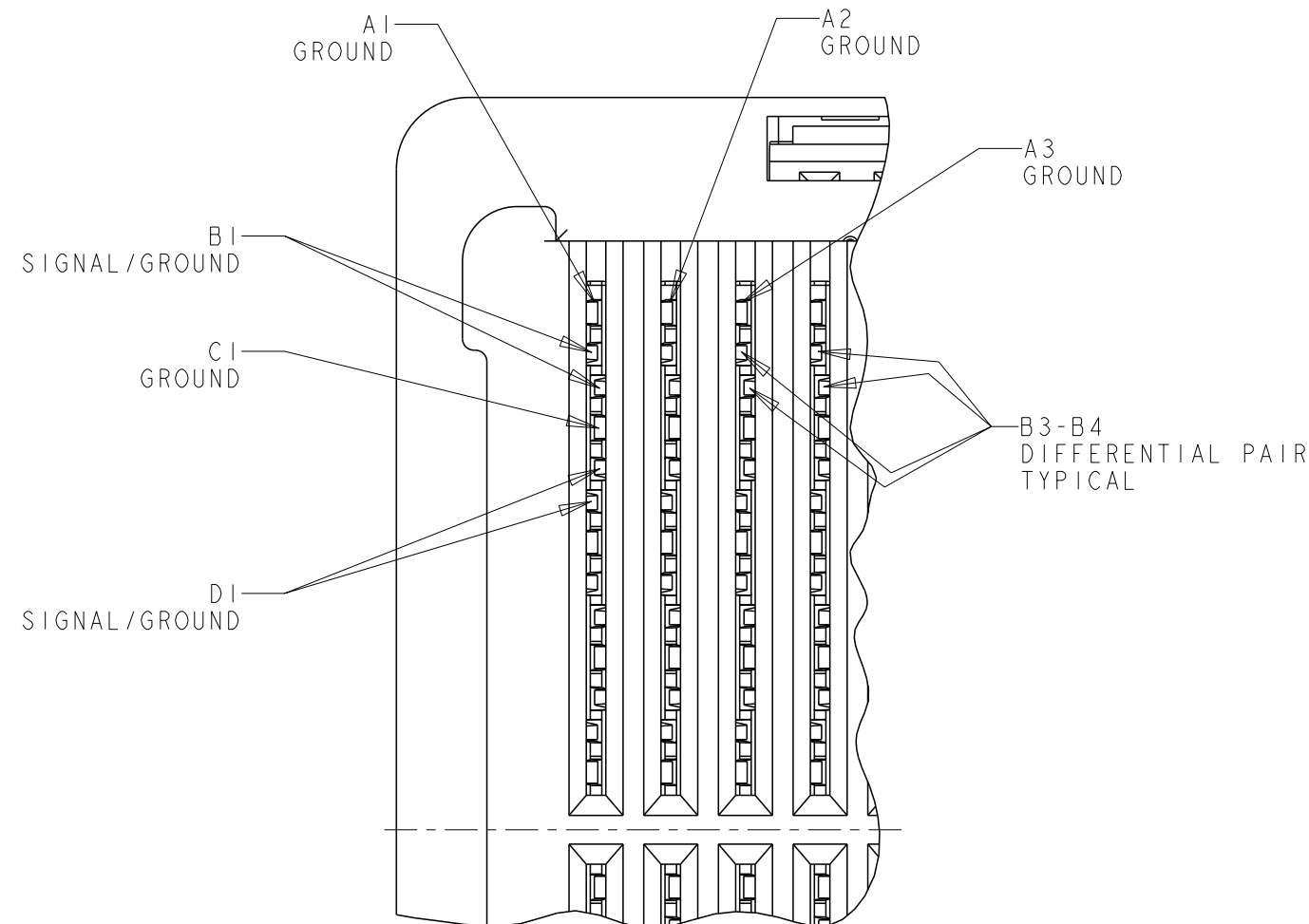
8 REFERENCE BOARD PATTERN FOR DIMENSIONS
 AND DETAILS NOT SHOWN.

9 HARD BLACK PLASTIC JEDEC STYLE TRAY.

10 PACKAGING:
 28 CONNECTORS PER TRAY.
 8 TRAYS PER SHIPPING BOX.
 SOLD ONLY IN BOX QUANTITIES (224).
 AVAILABLE IN SINGLE SOFT CLEAR TRAY
 QUANTITY (25) AS X-1761615-X (SAME DASH NUMBERS).

11 ANTISTATIC MATERIAL.

12 CONNECTOR ORIENTATION:
 POSITION A1 IN UPPER RIGHT CORNER.



RECEPTACLE INTERFACE

SCALE 8:1

TRAY COLOR	DIM T	DIM H	DIM G	LOAD STYLE	DESCRIPTION	PART NUMBER
BLUE	11.3	4.51	10.65	FULL LOAD-200 POSN	5mm Sn/Ag	5-2007615-5
BLACK	11.3	4.51	10.65	FULL LOAD-200 POSN	5mm Sn/Pb	2007615-5

THIS DRAWING IS A CONTROLLED DOCUMENT.

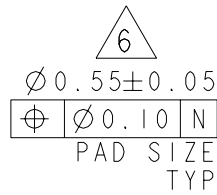
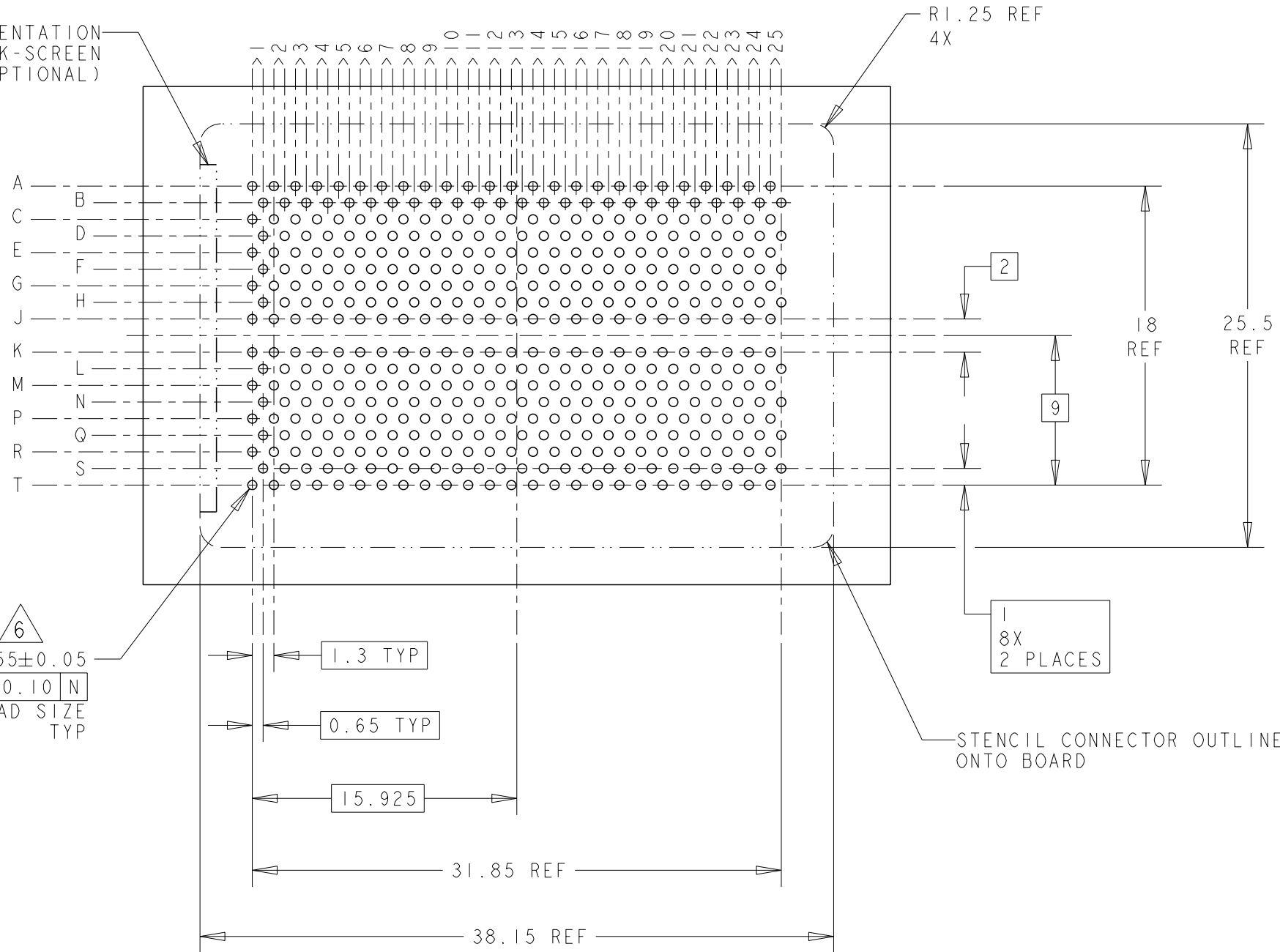
DWN B. CARBO 07NOV2007	<p>TE Connectivity</p> <p>NAME STEP-Z, RECEPTACLE ASSEMBLY, 200 SIGNAL POSITION</p>					
CHK D. DIXON 07NOV2007						
APVD D. DIXON 07NOV2007						
PRODUCT SPEC 108-2143						
APPLICATION SPEC 114-13101	SIZE A3	CAGE CODE 00779	DRAWING NO C-2007615	RESTRICTED TO		
MATERIAL -	FINISH -	WEIGHT -	CUSTOMER DRAWING	SCALE 2:1	SHEET 2 OF 4	REV B

DIMENSIONS:	TOLERANCES UNLESS OTHERWISE SPECIFIED:
mm	
	0 PLC ±-
	1 PLC ±0.3
	2 PLC ±0.10
	3 PLC ±0.050
	4 PLC ±-
	ANGLES ±2°

printed on 26 Apr 2021 09:04 from FR019828

P	LTR	DESCRIPTION	DATE	DWN	APVD
-	-	SEE SHEET 1	-	-	-

KEY ORIENTATION
SILK-SCREEN
(OPTIONAL)



BOARD PATTERN
SCALE 3:1

THIS DRAWING IS A CONTROLLED DOCUMENT.

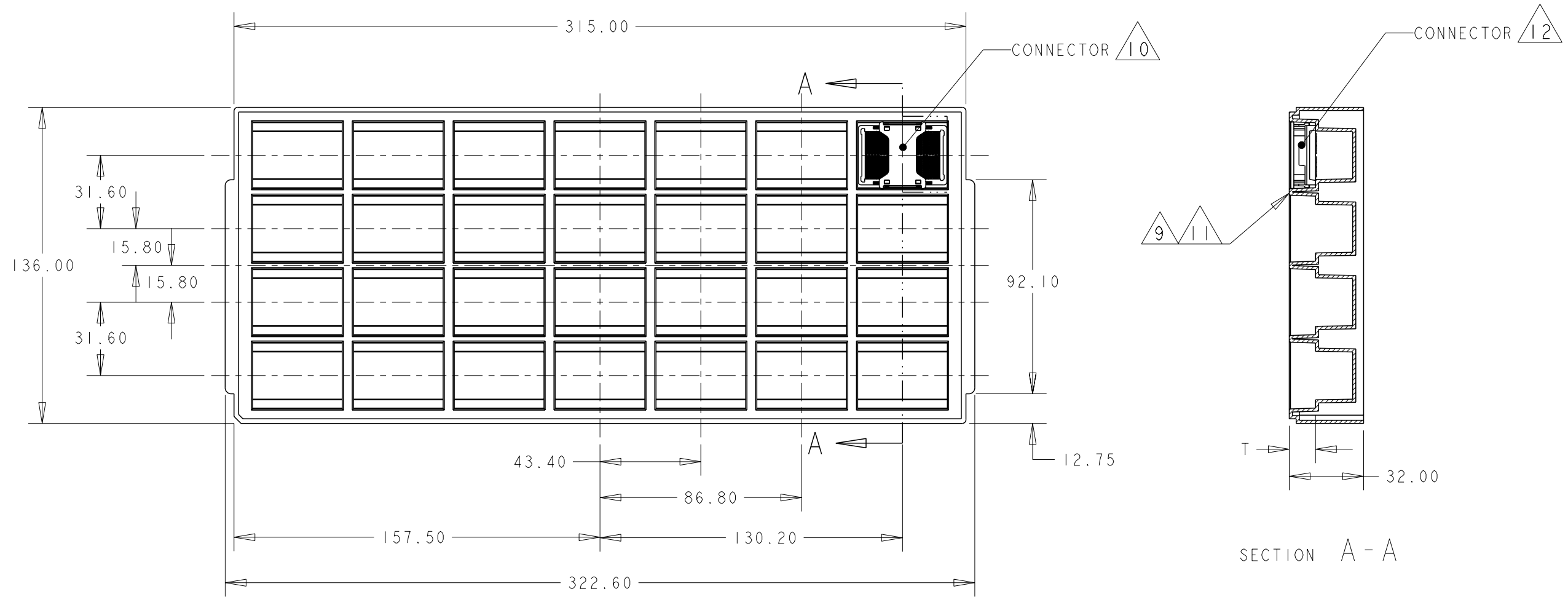
DIMENSIONS:	TOLERANCES UNLESS OTHERWISE SPECIFIED:
mm	
	0 PLC ±-
	1 PLC ±0.3
	2 PLC ±0.10
	3 PLC ±0.050
	4 PLC ±-
	ANGLES ±2°
MATERIAL	FINISH
-	-

DWN	B. CARBO	07NOV2007
CHK	D. DIXON	07NOV2007
APVD	D. DIXON	07NOV2007
PRODUCT SPEC	108-2143	
APPLICATION SPEC	114-13101	
WEIGHT	-	

TE Connectivity		NAME	
		STEP-Z, RECEPTACLE ASSEMBLY, 200 SIGNAL POSITION	
SIZE	CAGE CODE	DRAWING NO	RESTRICTED TO
A3	00779	C-2007615	

Printed on 26 Apr 2021 09:04 from FRO19828

P	LTR	DESCRIPTION	DATE	DWN	APVD
-	-	SEE SHEET 1	-	-	-



SCALE 1:2

THIS DRAWING IS A CONTROLLED DOCUMENT.		DWN B. CARBO 07NOV2007		NAME STEP-Z, RECEPTACLE ASSEMBLY, 200 SIGNAL POSITION
DIMENSIONS: mm		CHK D. DIXON 07NOV2007		
		APVD D. DIXON 07NOV2007		
TOLERANCES UNLESS OTHERWISE SPECIFIED:		PRODUCT SPEC 108-2143		
0 PLC ±- 1 PLC ±0.3 2 PLC ±0.10 3 PLC ±0.050 4 PLC ±- ANGLES ±2°		APPLICATION SPEC 114-13101	SIZE A300779	CAGE CODE C-2007615
MATERIAL -		FINISH -	WEIGHT -	RESTRICTED TO
CUSTOMER DRAWING			SCALE 2:1	SHEET 4 OF 4
			REV B	

Printed on 26 Apr 2021 09:04 from FR019828