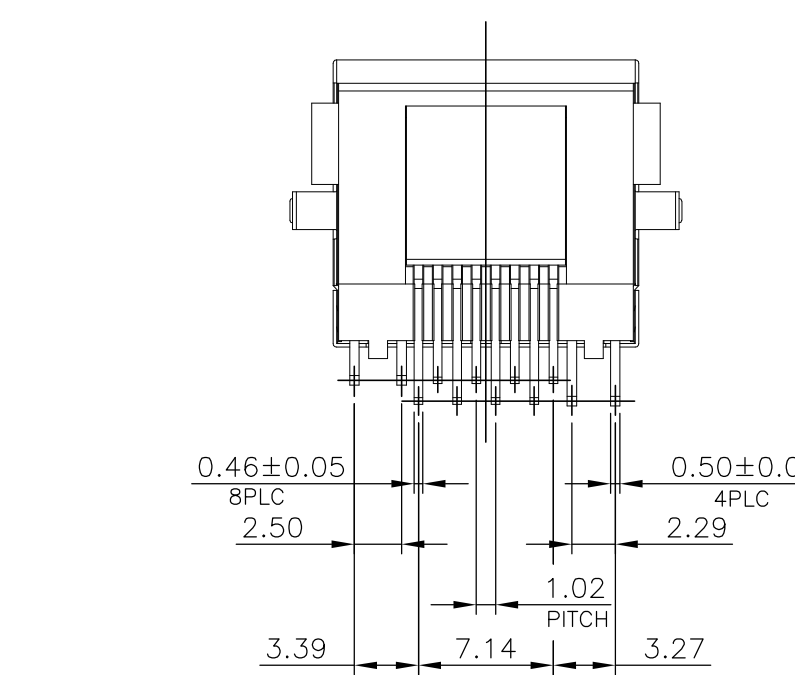
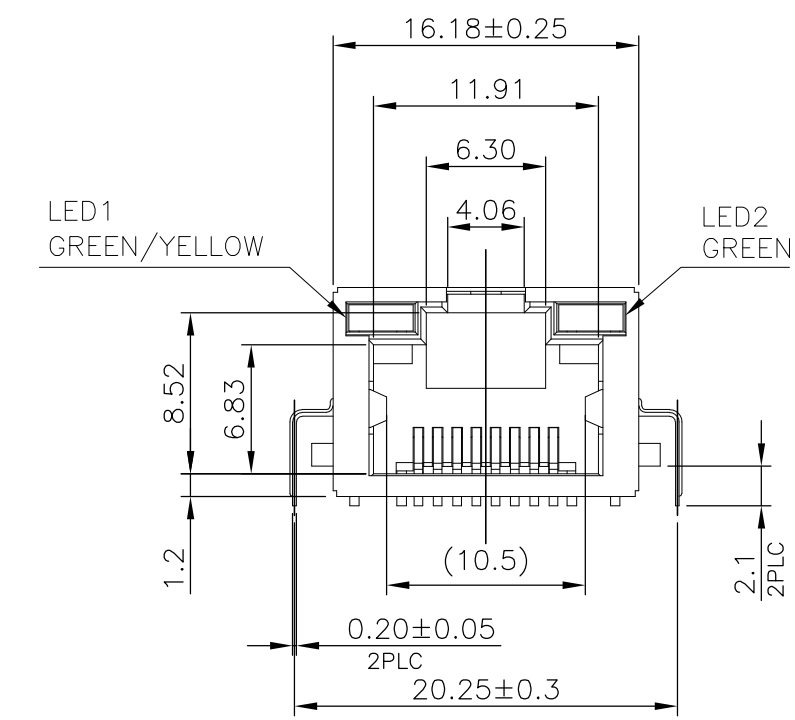
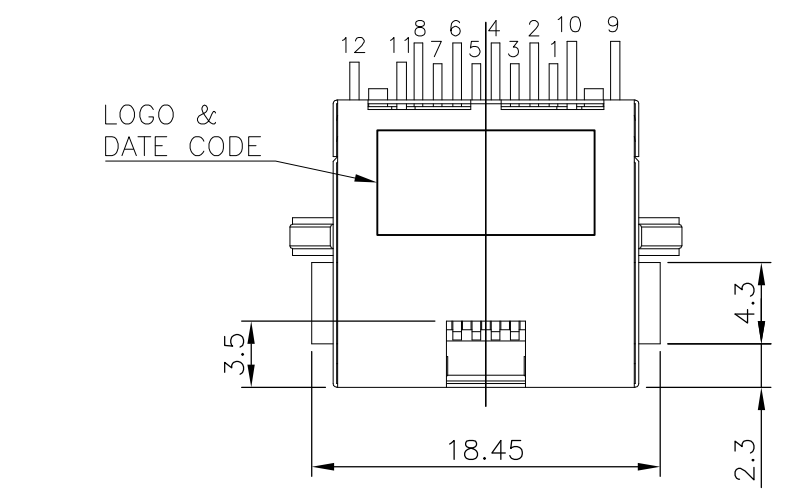


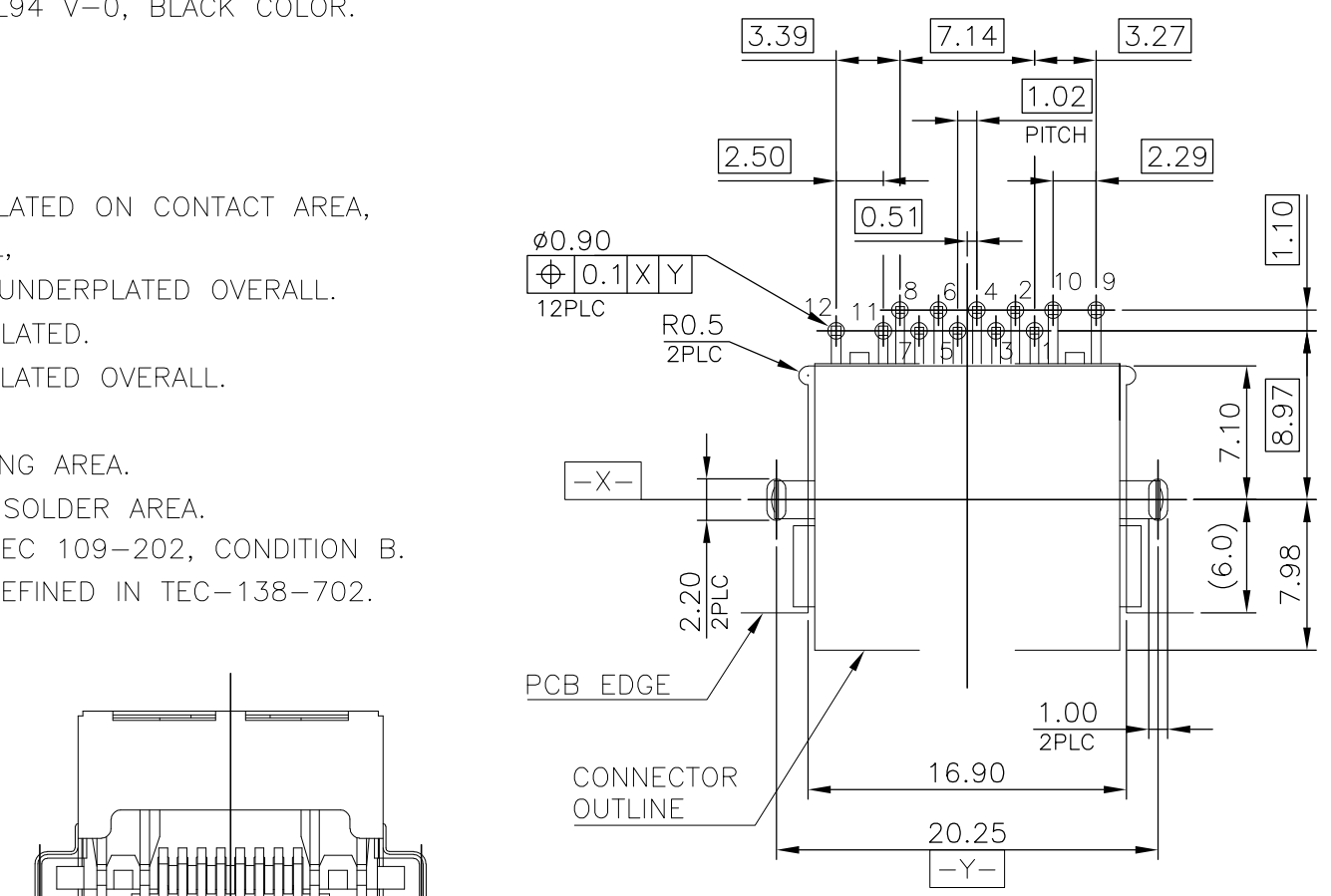
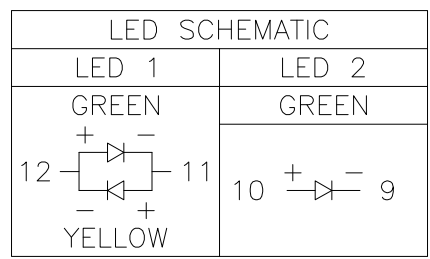
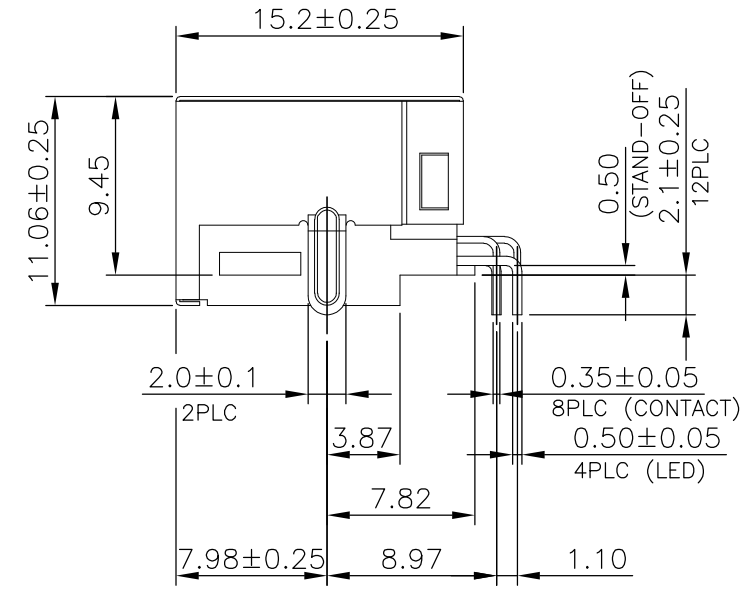
THIS DRAWING IS UNPUBLISHED. RELEASED FOR PUBLICATION
 © COPYRIGHT - TE Connectivity ALL RIGHTS RESERVED.

P	LTR	DESCRIPTION	DATE	DWN	APVD
C		ECO-17-011317	08AUG2017	LL	SH

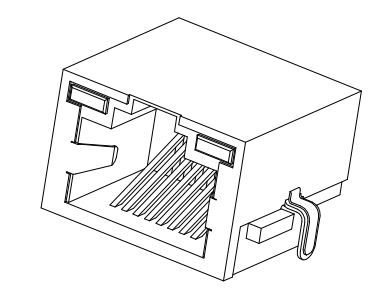
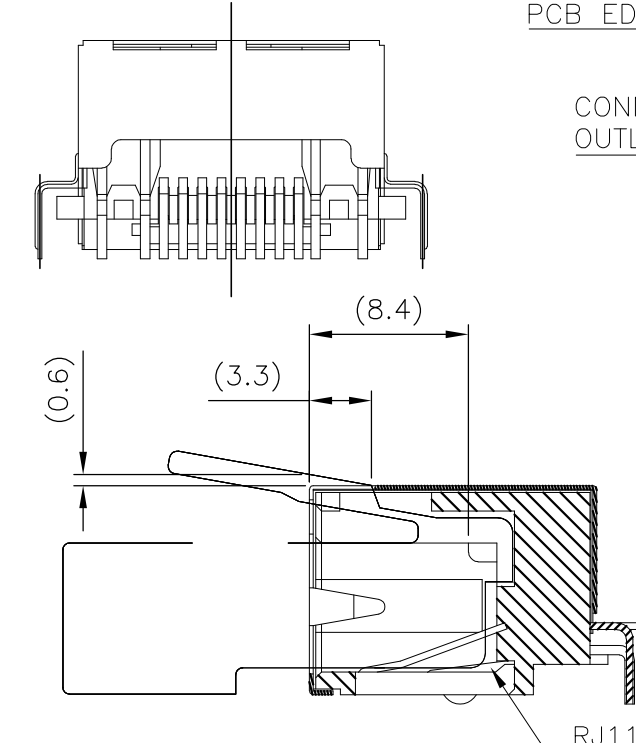


NOTE:

- MATERIAL:
 - HOUSING: SEE TABLE, WITH 30% GF, UL94 V-0, BLACK COLOR.
 - CONTACTS: PHOSPHOR BRONZE.
 - SHELL: BRASS.
 - LED SOLDER TAIL: EPOXY, STEEL.
- FINISH:
 - CONTACTS: 0.127um [5u"] MIN. GOLD PLATED ON CONTACT AREA, GOLD FLASH ON SOLDER TAIL, 1.27um [50u"] MIN. NICKEL UNDERPLATED OVERALL.
 - SHELL: 0.508um [20u"] MIN. NICKEL PLATED.
 - LED: 1.016um [40u"] COPPER UNDERPLATED OVERALL. 1.27um [50u"] NICKEL OVERALL. 1.27um [50u"] SILVER ON BONDING AREA. 2.54um [100u"] BRIGHT-TIN ON SOLDER AREA.
- WAVE SOLDER CAPABLE TO 265°C PER TE SPEC 109-202, CONDITION B.
 ▲ THE PART SHOULD MEET LOW BR/CL/F AS DEFINED IN TEC-138-702.



RECOMMENDED PCB LAYOUT
 RECOMMENDED PCB THICKNESS: 1.2mm.
 TOLERANCE: ±0.05 (TOP VIEW)



MATING WITH RJ-45 PLUG (REFERENCE)

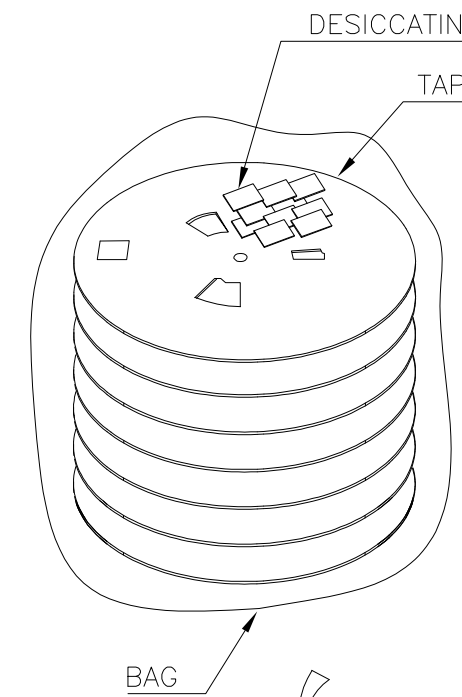
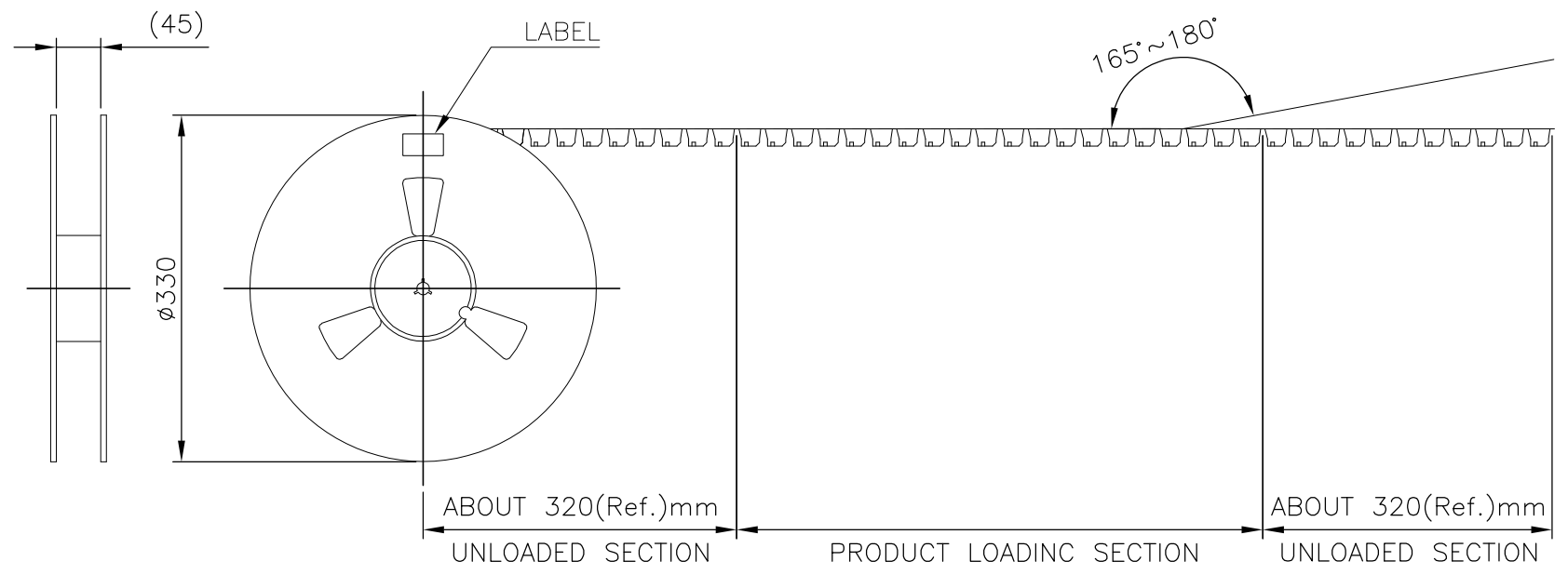
RJ11 PREVENTER

▲	LCP	2041411-2
	PA9T	2041411-1
	MATERIAL	PART NUMBER

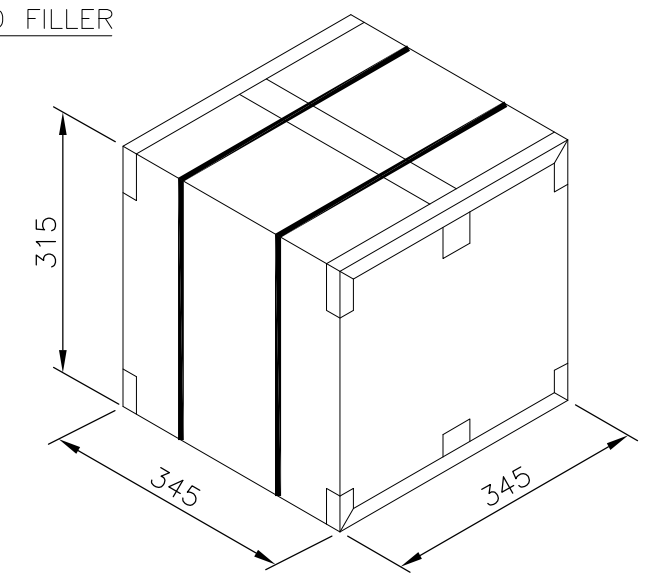
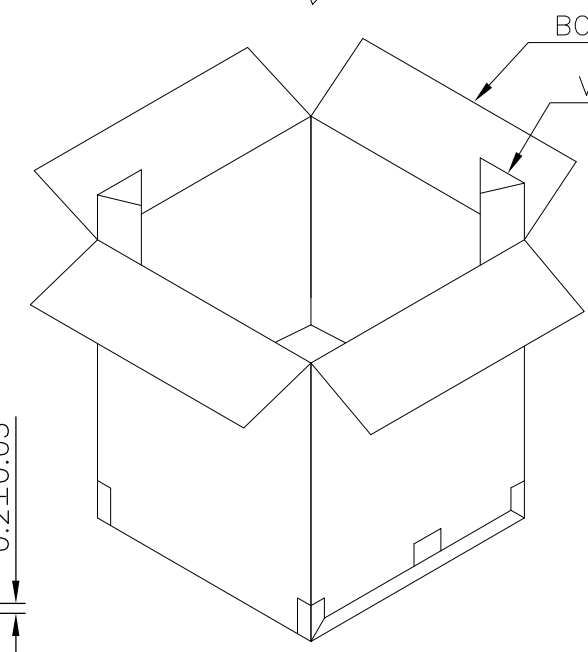
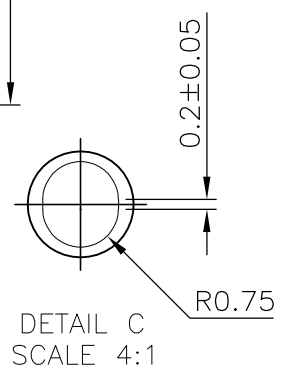
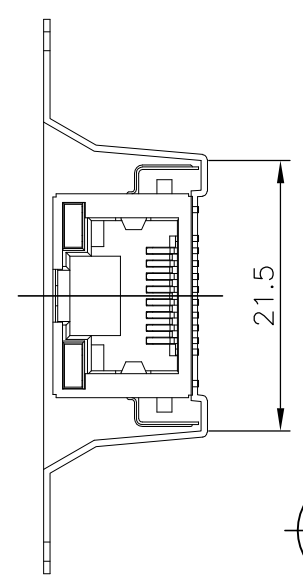
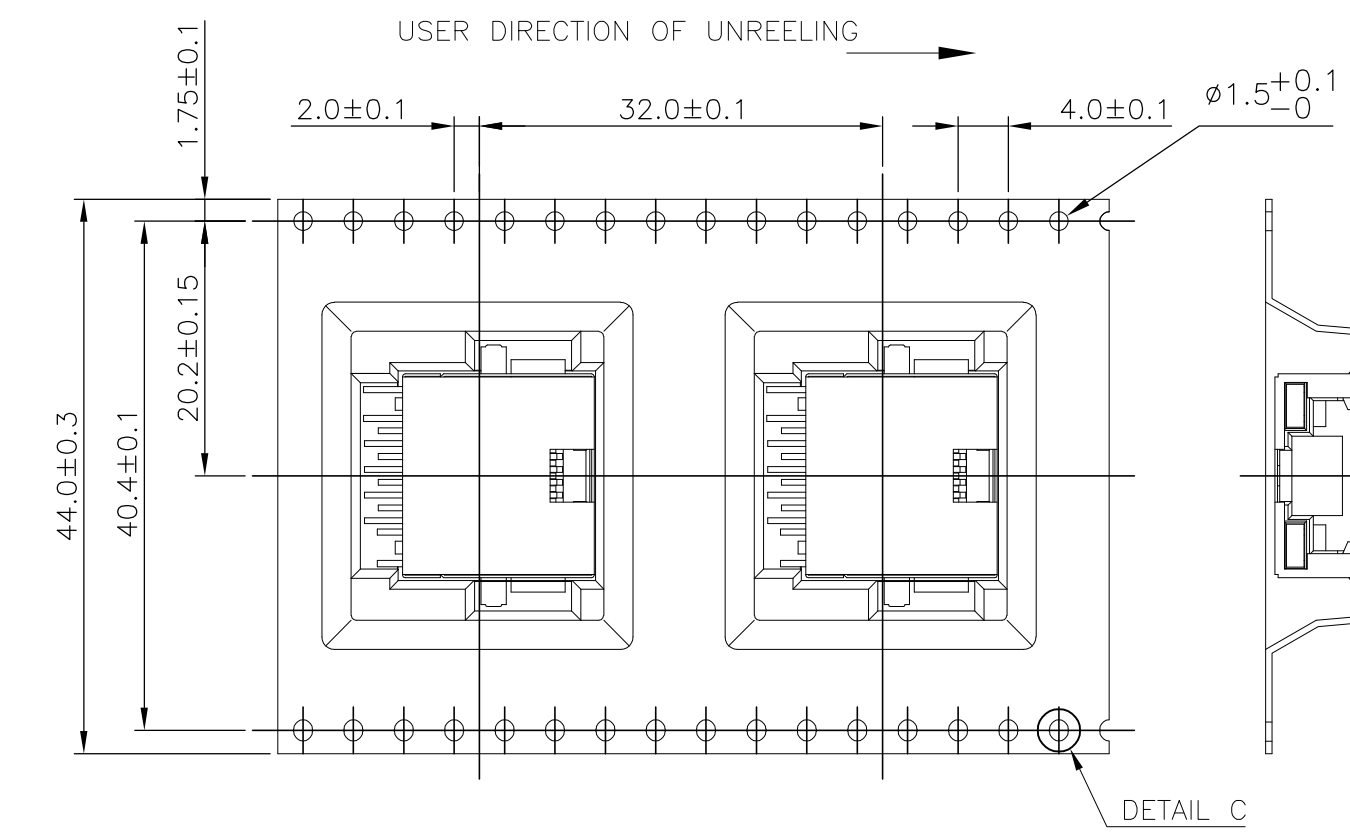
THIS DRAWING IS A CONTROLLED DOCUMENT.		DWN E. LIU 13DEC2011	TE Connectivity		
DIMENSIONS: mm		CHK S. CHIEN 13DEC2011			
TOLERANCES UNLESS OTHERWISE SPECIFIED:		APVD W. KODAMA 13DEC2011	NAME		
0 PLC ± -		PRODUCT SPEC		MODULAR JACK ASSY	
1 PLC ± 0.3		108-57857			
2 PLC ± 0.2		APPLICATION SPEC		RJ45 WITH LED, 8P8C, TAB UP	
3 PLC ± 0.15		-		SHIELDED, OFFSET, DIP TYPE	
4 PLC ± -		SIZE	CAGE CODE	DRAWING NO	RESTRICTED TO
ANGLES ± 3'		WEIGHT 3.2 GRAMS	A300779	C-2041411	-
FINISH -		CUSTOMER DRAWING		SCALE 1:1	SHEET 1 OF 2
				REV C	

THIS DRAWING IS UNPUBLISHED. RELEASED FOR PUBLICATION
 © COPYRIGHT - TE Connectivity ALL RIGHTS RESERVED.

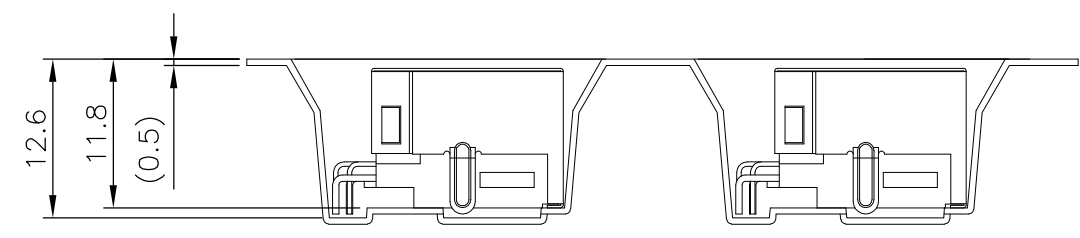
REVISIONS					
P	LTR	DESCRIPTION	DATE	DWN	APVD
-	-	SEE SHEET 1	-	-	-



- NOTE:
- PACKAGING MATERIAL:
 - COVER TAPE: COMPOSITE OF POLYETHYLENE TEREPHTHALATE (PET)
 - CARRIER: POLYSTYRENE (PS)
 - CARRIER REEL: POLYSTYRENE
 - BAG: PET
 - BOX: CORRUGATED FIBER.
 - EACH BAG SHALL BE INCLUDED: *DESICCANT
 - PEELING STRENGTH: 0.1~1.3N(1~130 GRAMS) FOR 12~56mm WIDE CARRIER TAPES
 - PEELING SPEED: 300mm/MINUTES.



6.50KG	2.88KG	150	6	900
GROSS WEIGHT	NET WEIGHT	PCS/ REEL	REEL/ BOX	PCS/ BOX



THIS DRAWING IS A CONTROLLED DOCUMENT.		DWN E. LIU 13DEC2011	TE Connectivity		
DIMENSIONS: mm		CHK S. CHIEN 13DEC2011			
TOLERANCES UNLESS OTHERWISE SPECIFIED:		APVD W. KODAMA 13DEC2011	NAME		
0 PLC ± -		PRODUCT SPEC		MODULAR JACK ASSY	
1 PLC ± 0.3		APPLICATION SPEC		RJ45 WITH LED, 8P8C, TAB UP	
2 PLC ± 0.2		108-57857		SHIELDED, OFFSET, DIP TYPE	
3 PLC ± 0.15		-		SIZE	CAGE CODE
4 PLC ± -		WEIGHT -		DRAWING NO	
ANGLES ± 3'		CUSTOMER DRAWING		RESTRICTED TO	
FINISH -		A300779		G=2041411	
		SCALE 1:1		SHEET 2 OF 2	
				REV C	