

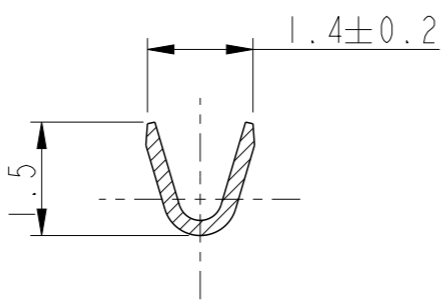
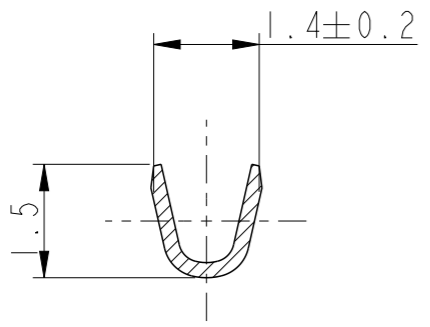
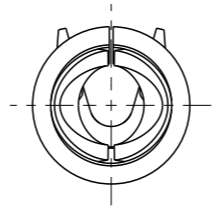
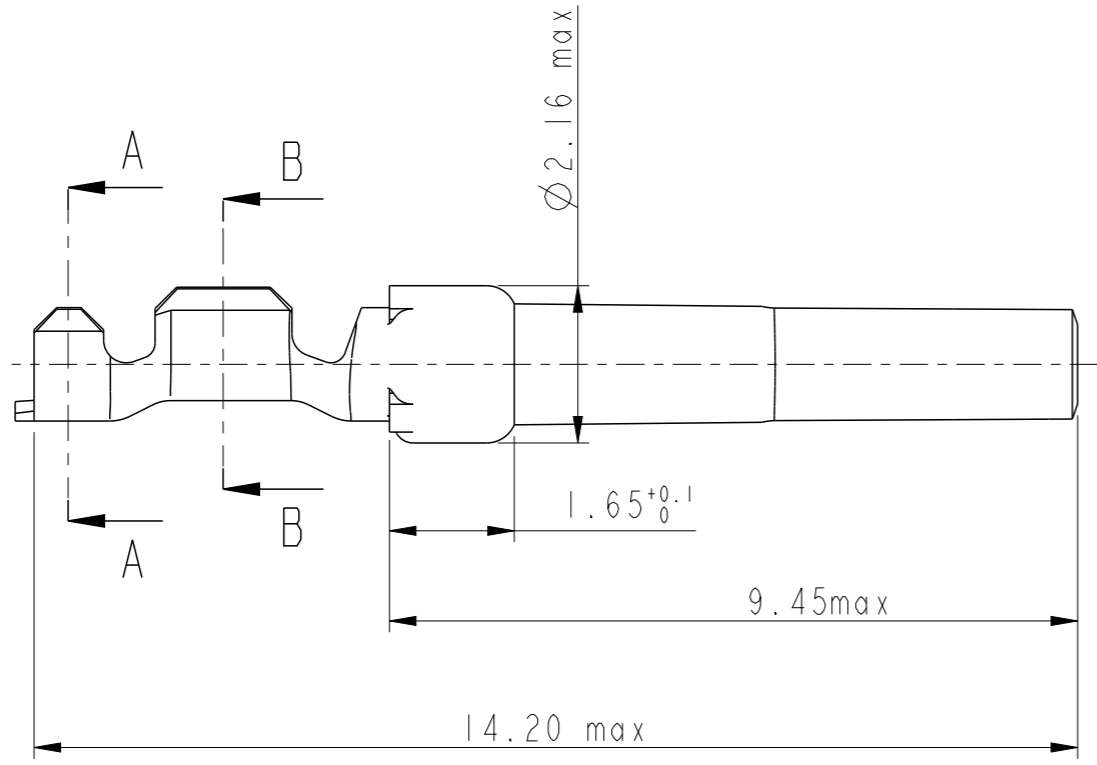
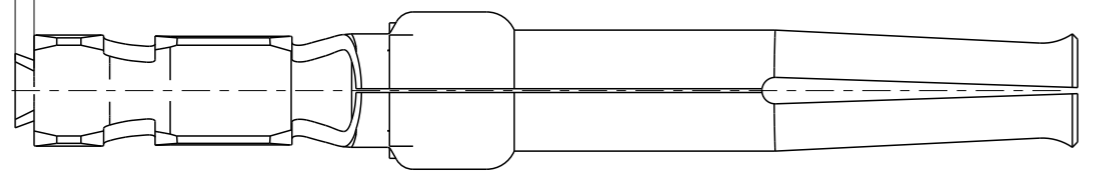
NOTES:

- 1-Material:phosphor bronze,thickness 0.20
- 2-Finish on contact area:see table
finish on termination:bright tin over nickel
- 3-Wire range:24 to 28 AWG
- 4-Max outer dia of wire insulator:1.02 mm
- 5-Current carrying capacity per contact:
 - 3.Amps max when crimped to #24 AWG
 - 2 Amps max when crimped to #26 AWG
 - 1 Amps max when crimped to #28 AWG
- 6-After 5 insertions into connector,
contact retention must be 5 pounds axial load min
- 7-When contact is crimped to 24 AWG,the insulation
support crimped height must be 1.78 mm max to ensure
a proper insertion into housing
- 6-Packaging:BOX of 500 contacts

NOTE : ROHS INFORMATIONS

The LF products meet European union directives and other country regulations as described in GS-22-008
Terminations plating spec : 2um Nickel min + 2um Sn min
Packaging Spec : see GS-14-920

0.25max



SECTION A-A

SECTION B-B

Core range	-
8656351064LF	Flash Au
8656351064	Flash Au
PART NUMBER	Plating

www.fciconnect.com		surface - <input checked="" type="checkbox"/> ISO 1302	tolerance std <input checked="" type="checkbox"/> ISO 406 <input type="checkbox"/> ISO 1101	projection	mm
TOLERANCES UNLESS OTHERWISE SPECIFIED					
Dr	C JARRY	28/01/97	ANGULAR	size A3	Scale 10:1
Eng			LINEAR		
Chr			0° ±2°	0.X ±0.3	ECN 110-0070
Appr				0.XX ±0.1	
				0.XXX ±0.05	
Product family				-	Spec ref
FCi			CRIMP SOCKET		Rev. H
			#Wire 24-28 in bos 500 cts		dwg no C01-8656-1507
			catalog no		CUSTOMER
					sheet 1 of 1

rev	ecn no	dr	date
E	LS06-196	MPE	27/11/2006
F	LS08-0127	MPE	2008/05/13
G	109-0152	AMR	2009-07-27
H	110-0070	AMR	2010-03-09
-	-	-	-
-	-	-	-
-	-	-	-



Copyright FCI.