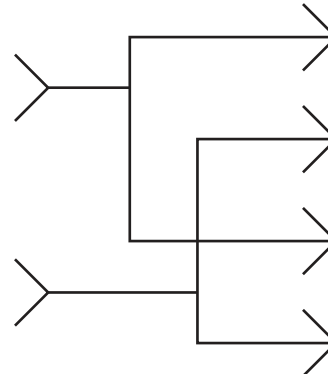




**BNC T Connector
Model NV-BNCT**



Schematic

The NVT Model NV-BNCT is a high quality “T” adaptor used by NVT’s IP transceivers to split 1701 or TBus data signals. It ships standard with the NV-EC1701-Kit2 and NV-EC1701-K2H kits.

The NV-BNCT may be used at the head-end or mid-span for coax daisy-chain applications.

Product weight: 0.031 lbs (.014 Kg)