

K5AT Illuminated SMT Tact Switch

Features

- High bright LED's
- Gold plated dome contact offering superior contact reliability in time
- Excellent ergonomics: sharp tactile feel and audible click
- Reduced space usage on board "2 in 1"
- 40 N overload
- Tape and reel
- RoHS compliant and compatible

Typical Applications

- Application requiring illumination
- Server, storage
- Network infrastructure
- Telecom
- Medical



Tactile Switches

Specification

FUNCTION: momentary action
 CONTACT ARRANGEMENT: Normally Open
 TERMINALS: SMT with positioning pegs;
 SMT without positioning pegs is available,
 contact Customer Service

Mechanical

Type	Actuation force (N)	Operating life (operations)	Travel (total travel) mm(mm)
K5AT xx 43GP	4.0	100,000	0.45 (0.95)

¹ Tolerances of operating force FA is ± 25%.

Packaging

Standard: 900 pcs per reel; Reel diameter 380 mm
 Reduced: 180 pcs per reel; Reel diameter 180 mm

Electrical

POWER MIN/MAX: 0.02VA / 1.0VA
 VOLTAGE MIN/MAX: 20mVdc – 32 Vdc
 CURRENT MIN/MAX: 0.1mA – 100mA
 CONTACT RESISTANCE: <100m Ω
 INSULATION RESISTANCE: >1G Ω initial, >10M Ω after damp heat
 BOUNCE TIME: <10ms

Environmental

OPERATING TEMPERATURE: -40°C to 125°C
 STORAGE TEMPERATURE: -55°C to 125°C
 RELATIVE HUMIDITY: 90 to 96% according to NF EN 60068-2-30
 PROTECTION: dust protection and flux tight (IP 40)
 OVERLOAD: 40N min

Process

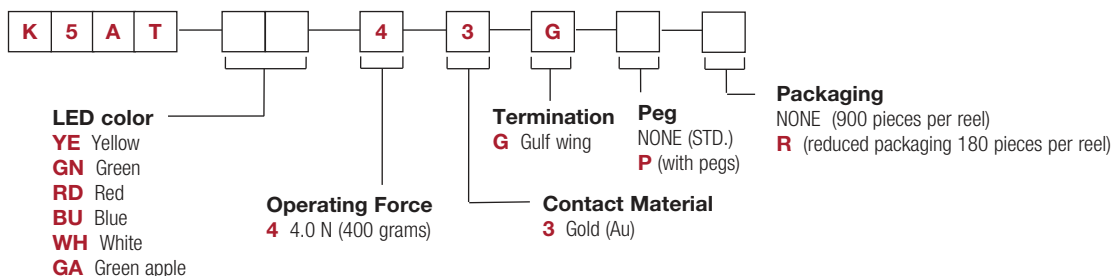
SOLDERING: Compatible with the lead free soldering profile.
 No washing
 MSL Level: 5

Materials

CONTACTS: Au over Ni
 TERMINALS: Au over Ni
 HOUSING: Thermoplastic UL94 V0

How To Order

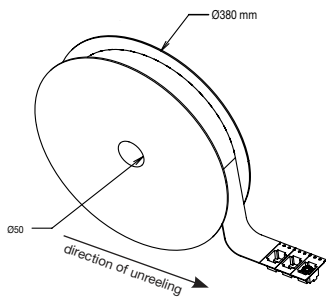
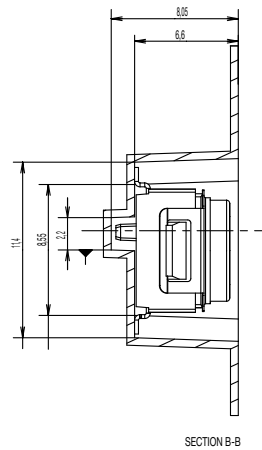
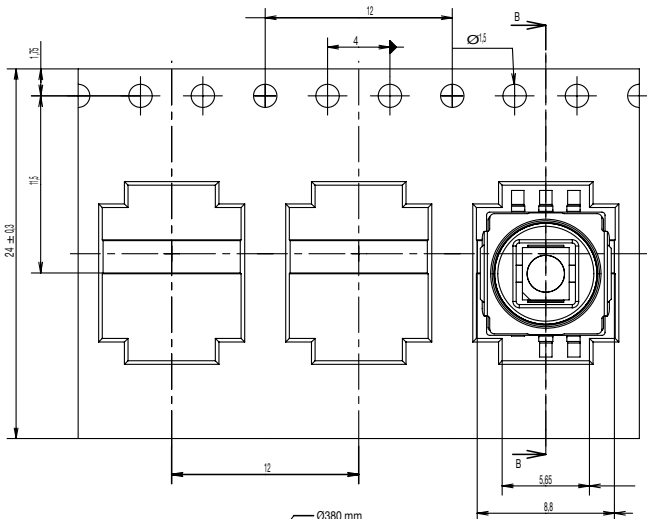
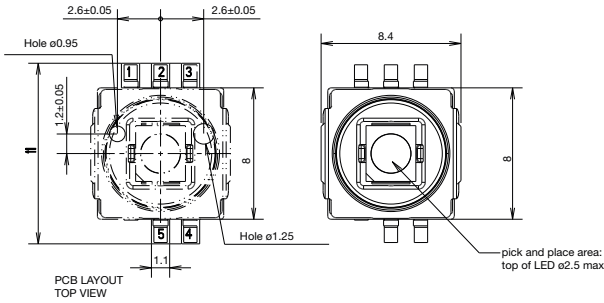
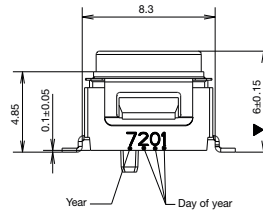
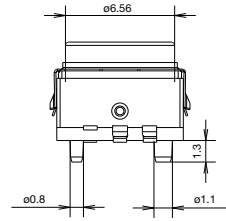
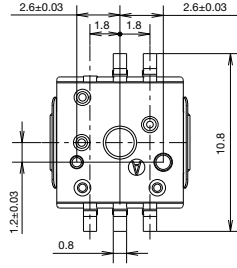
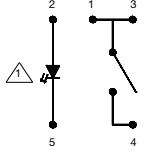
Our easy build-a-switch concept allows you to mix and match options to create the switch you need. To order, select desired option from each category and place it in the appropriate box.



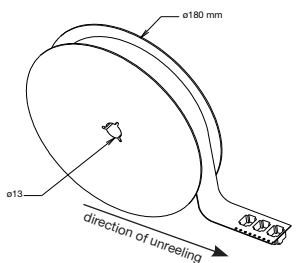
K5AT Illuminated SMT Tact Switch

K5AT

ELECTRICAL GRAPH



900 pieces per reel (ø380mm)



180 pieces per reel (ø180mm)



First Angle Projection

Dimensions are shown: mm
Specifications and dimensions subject to change

Tactile Switches

B