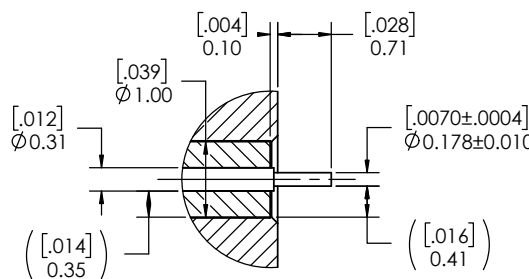
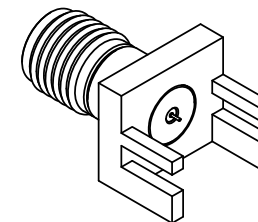
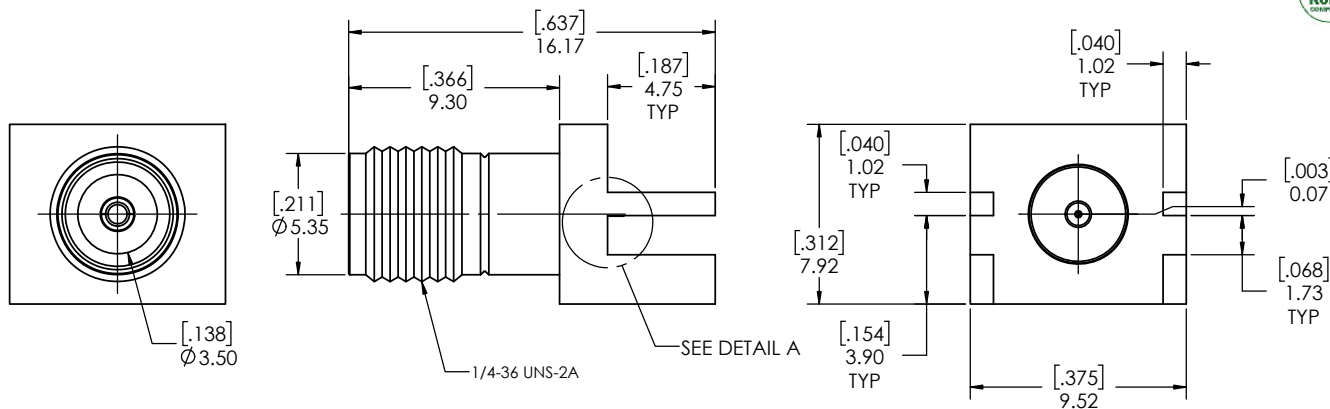
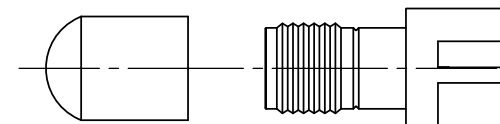
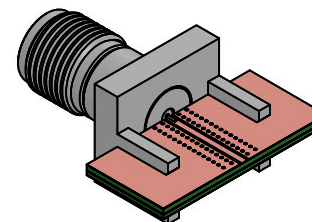




REVISIONS			
REV.	DESCRIPTION	DATE	APPROVED
-	INITIAL RELEASE	07/24/2018	MM
1	UPDATED PART NUMBER	10/24/2018	DL
2	ADDED SHEET 2 PCB DEFINITION	2/15/2019	PV
3	ADDED SECTION VIEW	3/12/2019	PV



DETAIL A
SCALE 20:1



PROTECTION CAP

- NOTE(S):
- These characteristics are typical and for reference.
 - DYH: 58-20005-12070
 - See sheet 2 for PCB interface definition.

MATERIAL(S) :	ELECTRICAL(S) :	MECHANICAL(S) :	ENVIRONMENTAL(S) :
Body: Brass Center Conductor: Beryllium Copper Insulator: Insulator 1: PCTFE, white Insulator 2: PTFE, white RoHS Compliant Protective Cap: Soft PVC Color: White	Impedance: 50 Ohms Nominal Frequency Range: DC to 34 GHz VSWR: 1.3:1 max at 34 GHz Working Voltage: 400 Vrms max @ Sea Level Dielectric Withstand Voltage: 500 Vrms max. Insulation Resistance: 5000 Megohms min. Contact Resistance: Initial: Center Contact: 1.5 Milliohms max Outer Contact: 0.8 Milliohms max	Mating Characteristics: Interface per MIL-STD-348 Force to Engage & Disengage: Torque: 2 inch-pounds max Longitudinal Force: NA Connector Durability: 500 Cycles min. Permeability: Less than 2.0 mu. Center Contact Retention: Axial Force: 6 pounds min. Radial Force: NA	Temperature Range: -65°C to +165°C Moisture Resistance: MIL-STD-202, Method 103, Test Condition B Corrosion: MIL-STD-202, Method 101, Test Condition B Vibration: MIL-STD-202, Method 204, Test Condition A Shock: MIL-STD-202, Method 213, Test Condition 1

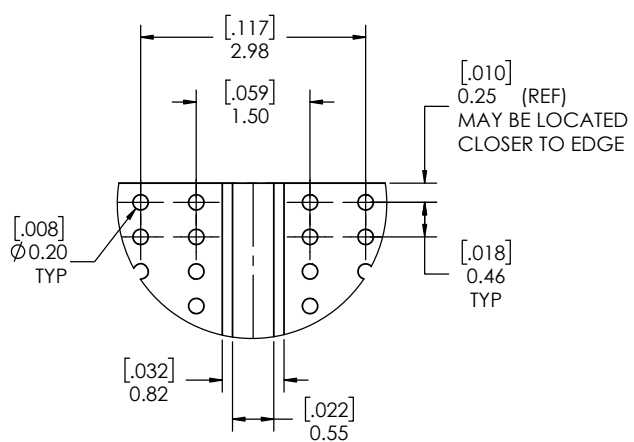
FINISH(ES) :	APPLICABLE CARLISLE IT DOCUMENTS			TOLERANCES AND NOTES	APPROVAL	INITIALS	DATE	 Dongguan City, Guangdong P.R. China 523533
	WORK STANDARD	PROD INSTRUC	ASSY INSTRUC					
Body: Gold Plating Center Conductor: Gold Plating	NA	NA	NA	EXCEPT AS NOTED	DRAWN BY	MM	07.24.18	TITLE 3.50mm STRAIGHT JACK, EDGE MOUNT (MANUAL SOLDER) SCALE 8:1 SUB-DIRECTORY/ OUTLINE/ SHEET 1 OF 2 DRAWING NO. TMB-E5FS-1S1
				THIRD ANGLE PROJECTION	CHECKED BY	KM	07.24.18	
				SCALE 8:1	DESIGN ENG			
				DIMENSIONS ARE IN [INCHES] MM	APPR BY			
				ANGLES ±2°				REV. 2
				.XX DECIMALS ±.063 .XXX DECIMALS ±.01				REV. 3

4

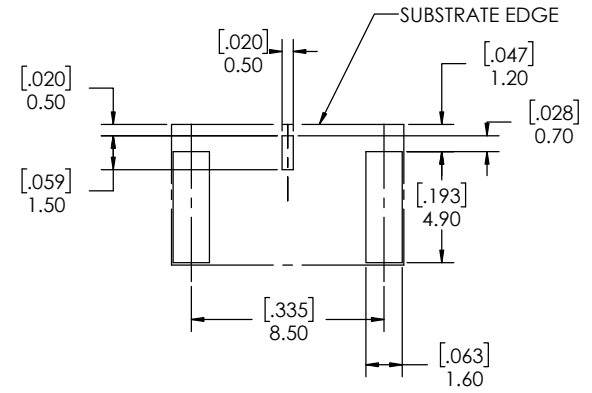
3

2

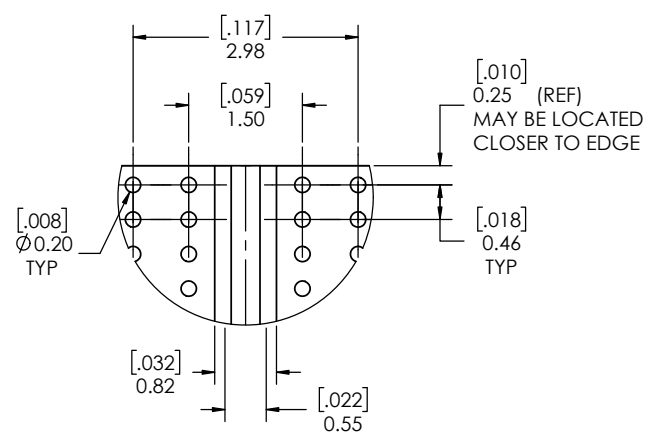
1



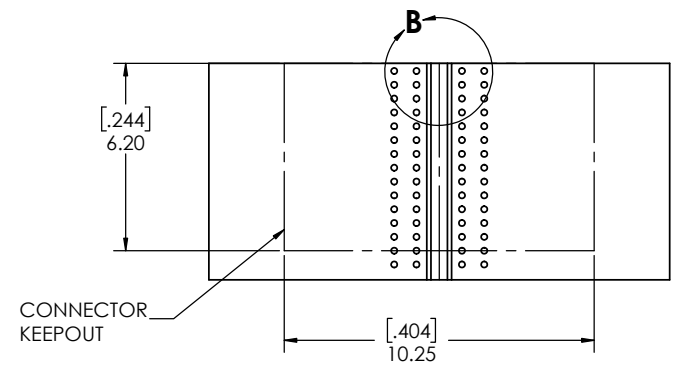
DETAIL B
SCALE 20 : 1



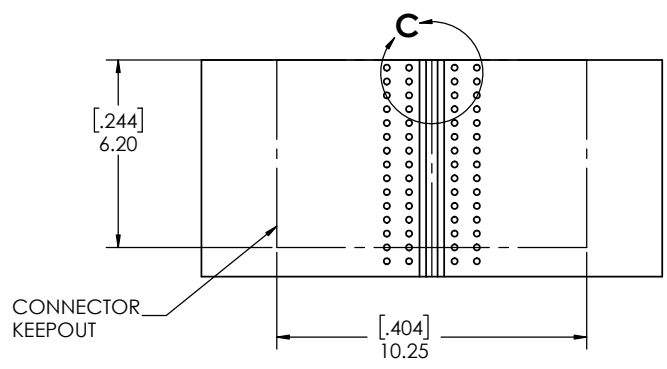
SOLDER PASTE STENCIL
SCALE 6:1



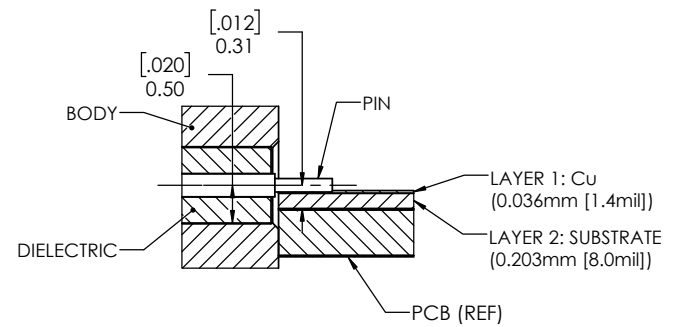
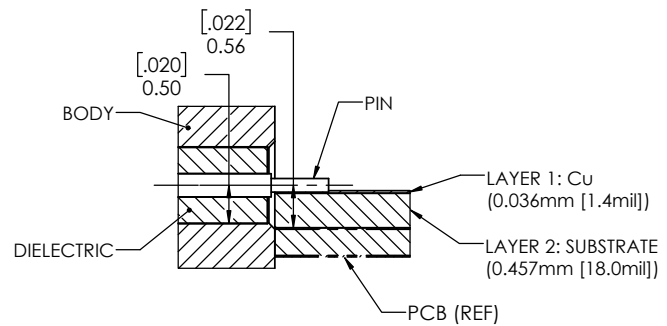
DETAIL C
SCALE 20 : 1



PCB LAYOUT OPTION 1
0.457mm [18.0mil] THICK SUBSTRATE (LAYER 2)



PCB LAYOUT OPTION 2
0.203mm [8.0mil] THICK SUBSTRATE (LAYER 2)



PCB LAYOUT
(FOR REFERENCE ONLY)

SCALE	SUB-DIRECTORY/	SHEET 2 OF 2
8:1		
SIZE	CAGE CODE	DRAWING NO.
C		TMB-E5FS-1S1
		REV. 3

4

3

2

1