



Label holder, 30 mm, flat, Frame rounded off at the bottom black, for labeling plate 17.5 mm x 27 mm, for snapping on

product brand name	SIRIUS ACT
product designation	Label holder
design of the product	for labeling plate 17.5 x 27 mm
product type designation	3SU1
General technical data	
protection class IP	IP65
degree of protection NEMA rating	1, 2, 3R, 12, 13
shock resistance for railway applications according to EN 61373	Category 1, Class B
vibration resistance for railway applications according to EN 61373	Category 1, Class B
Substance Prohibitance (Date)	10/01/2014
Ambient conditions	
ambient temperature	
• during operation	70 ... -25 °C
• during storage and transport	80 ... -40 °C
Installation/ mounting/ dimensions	
height	17.5 mm
width	27 mm
Accessories	
material of accessory	Plastic
shape of label holder	rounded below
color of label holder	Black
fastening method of label	snap on
product function illuminated backing plate	No

Certificates/ approvals			
General Product Approval	Declaration of Conformity	Test Certificates	Marine / Shipping

[Confirmation](#)



EG-Konf.

[Type Test Certificates/Test Report](#)



ABS

Marine / Shipping	other
-------------------	-------



LRS



PRS



RINA

[Confirmation](#)

Further information

Siemens has decided to exit the Russian market (see here).

<https://press.siemens.com/global/en/pressrelease/siemens-wind-down-russian-business>

Siemens is working on the renewal of the current EAC certificates.

Please contact your local Siemens office on the status of validity of the EAC certification if you intend to import or offer to supply these products to an EAC relevant market (other than the sanctioned EAEU member states Russia or Belarus).

Information on the packaging

<https://support.industry.siemens.com/cs/ww/en/view/109813875>

Information- and Downloadcenter (Catalogs, Brochures,...)

<https://www.siemens.com/ic10>

Industry Mall (Online ordering system)

<https://mall.industry.siemens.com/mall/en/en/Catalog/product?mlfb=3SU1960-0AS10-0AA0>

Cax online generator

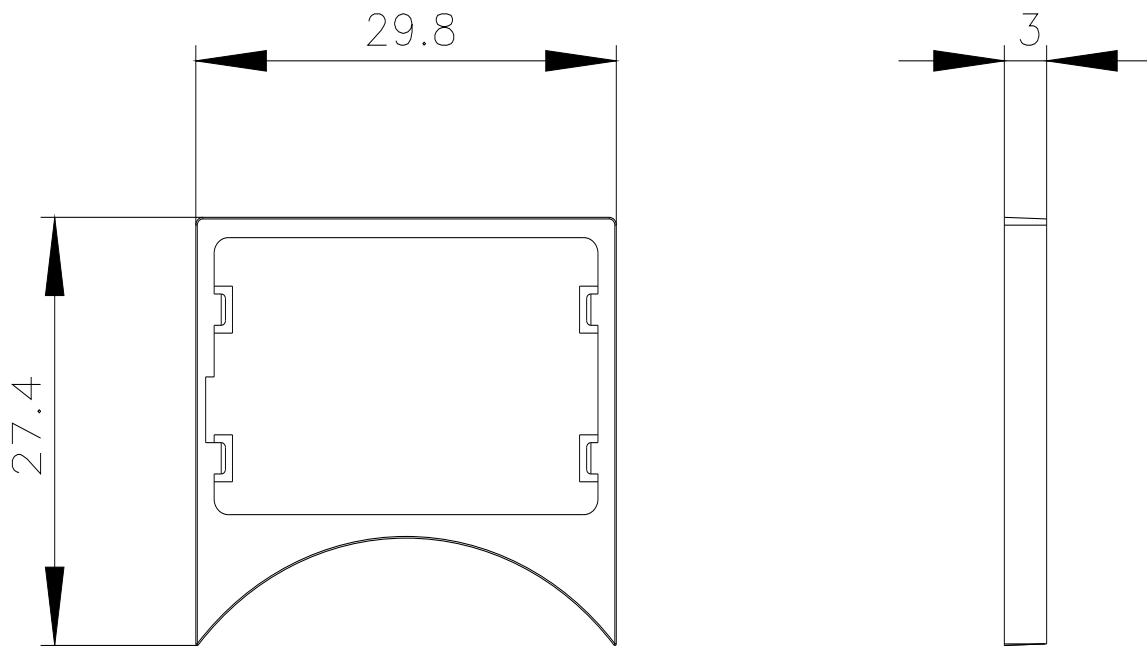
<http://support.automation.siemens.com/WW/CAXorder/default.aspx?lang=en&mlfb=3SU1960-0AS10-0AA0>

Service&Support (Manuals, Certificates, Characteristics, FAQs,...)

<https://support.industry.siemens.com/cs/ww/en/ps/3SU1960-0AS10-0AA0>

Image database (product images, 2D dimension drawings, 3D models, device circuit diagrams, EPLAN macros, ...)

http://www.automation.siemens.com/bilddb/cax_de.aspx?mlfb=3SU1960-0AS10-0AA0&lang=en



last modified:

3/29/2022 