

VS-PNRJ45-PNRJ45-93C-2,0 - Patch cable



1418387

<https://www.phoenixcontact.com/us/products/1418387>

Please be informed that the data shown in this PDF document is generated from our online catalog. Please find the complete data in the user documentation. Our general terms of use for downloads are valid.



PROFINET patch cable, shielded, star quad, 22 AWG stranded (19-wire), green, straight RJ45 connector / IP20, to straight RJ45 connector / IP20, length: 2 m

Commercial data

Item number	1418387
Packing unit	1 pc
Minimum order quantity	1 pc
Sales key	AB11
Product key	ABNABA
GTIN	4046356534611
Weight per piece (including packing)	152 g
Weight per piece (excluding packing)	128.76 g
Customs tariff number	85444210
Country of origin	PL

Technical data

Product properties

Product type	Data cable preassembled
Sensor type	PROFINET
Number of positions	4
Connection profile	RJ45 8(4)
No. of cable outlets	1
Shielded	yes
Cable outlet	straight

Insulation characteristics

Degree of pollution	1
---------------------	---

Electrical properties

Rated voltage (III/3)	72 V (DC)
Rated current	1.75 A
Transmission medium	Copper
Transmission characteristics (category)	CAT5 (IEC 11801:2002)
Transmission speed	100 Mbps

Mechanical properties

Mechanical data

Insertion/withdrawal cycles	≥ 750
Insertion force per signal contact	50.00 N
Extraction force per signal contact	30 N

Material specifications

Flammability rating according to UL 94	V2
Contact material	CuSn
Contact surface material	Ni/Au
Housing material	PA 6.6

Connector

Connection 1

Type	Plug straight RJ45
Shielded	yes
Degree of protection	IP20
Number of positions	4

Connection 2

Type	Plug straight RJ45
Shielded	yes
Insertion/withdrawal cycles	≥ 750

VS-PNRJ45-PNRJ45-93C-2,0 - Patch cable



1418387

<https://www.phoenixcontact.com/us/products/1418387>

Number of positions	4
Degree of protection	IP20

Cable/line

Cable length	2.00 m
--------------	--------

PROFINET drag chain CAT5 [93C]

Shielded	yes
Cable type	PROFINET drag chain CAT5
Cable type (abbreviation)	93C
Signal type/category	PROFINET CAT5 (IEC 11801:2002), 100 Mbps
Cable structure	1x4xAWG22/19, S/TQ
External cable diameter	6.5 mm
Outer sheath, material	PUR
External sheath, color	green RAL 6018
Conductor material	Tin-plated Cu litz wires
Conductor structure signal line	19x 0.15 mm
AWG signal line	22
Conductor cross section	4x 0.38 mm ²
Wire diameter incl. insulation	1.5 mm 0.1 mm
Single wire, color	white, yellow, blue, orange
Wave impedance	100 Ω ±15 Ω (at 1 ... 100 MHz)
Number of bending cycles	5000000
Bending radius	60 mm
Traversing rate	3 m/s
Acceleration	3 m/s ²

Environmental and real-life conditions

Ambient conditions

Degree of protection	IP20
	IP20
Ambient temperature (operation)	-25 °C ... 80 °C

VS-PNRJ45-PNRJ45-93C-2,0 - Patch cable

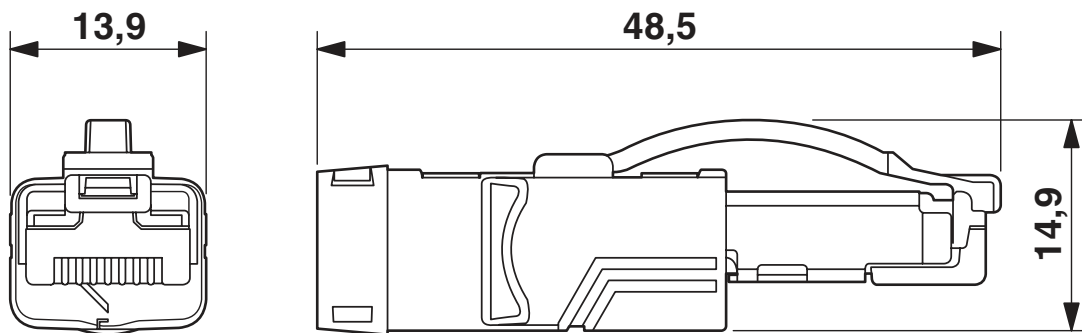


1418387

<https://www.phoenixcontact.com/us/products/1418387>

Drawings

Dimensional drawing



RJ45 connector, IP20

VS-PNRJ45-PNRJ45-93C-2,0 - Patch cable



1418387

<https://www.phoenixcontact.com/us/products/1418387>

Approvals

To download certificates, visit the product detail page: <https://www.phoenixcontact.com/us/products/1418387>



EAC

Approval ID: 19060508

VS-PNRJ45-PNRJ45-93C-2,0 - Patch cable



1418387

<https://www.phoenixcontact.com/us/products/1418387>

Classifications

ECLASS

ECLASS-11.0	27060308
ECLASS-12.0	27060308
ECLASS-13.0	27060308

ETIM

ETIM 8.0	EC002599
----------	----------

UNSPSC

UNSPSC 21.0	26121600
-------------	----------

VS-PNRJ45-PNRJ45-93C-2,0 - Patch cable



1418387

<https://www.phoenixcontact.com/us/products/1418387>

Environmental product compliance

China RoHS	Environmentally friendly use period: unlimited = EFUP-e
	No hazardous substances above threshold values

Phoenix Contact 2023 © - all rights reserved
<https://www.phoenixcontact.com>

Phoenix Contact USA
586 Fulling Mill Road
Middletown, PA 17057, United States
(+717) 944-1300
info@phoenixcon.com