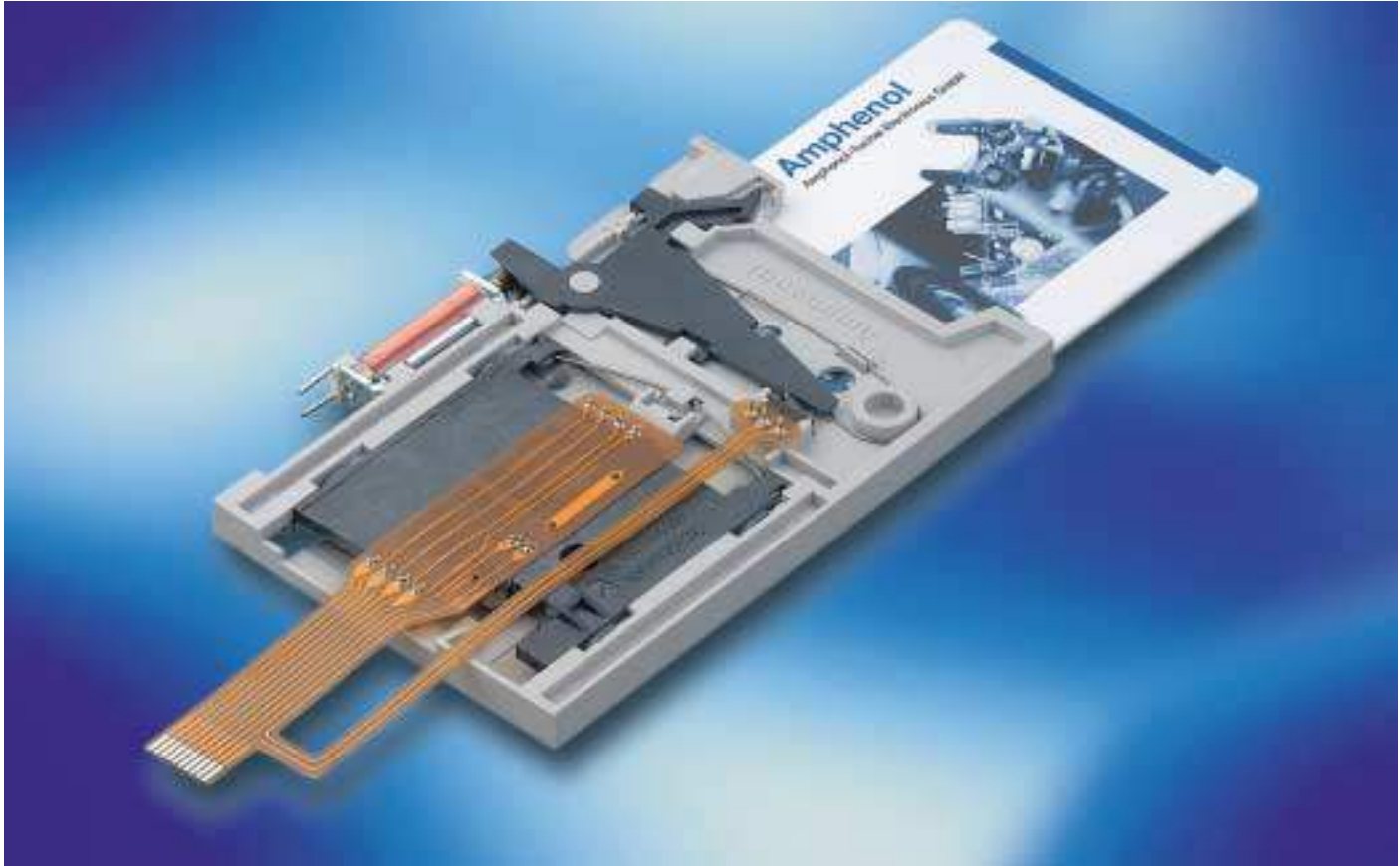


Smart Card Connectors

Low Profile PUSHMATIC®

Series C702C



Low Profile PUSHMATIC®

The Smart Card Connector offers a super low profile height to enable the PUSHMATIC®-function also in such places where installation conditions are restricted in size.

Main applications are handheld devices and new generations of POS terminals.

Design features

- miniature low profile size
- landing and self-cleaning contact design
- card locking in active position
- card presence switch (normally open) acc. to EMV
- micro switch as locking sensor
- automatic card eject after transaction
- termination to application with flexible pcb
- 2 way solenoid wire including 2.54 mm socket
- manual unlocking after power failure possible
- housing bottom removable to remove foreign debris i.e. coins (optional)



Assembly instructions:

For correct assembly please refer to the instructions on the next page. Please make sure that flexprints remain free and unrestricted after assembly.

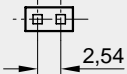
C702C Smart Card Connectors Low Profile PUSHMATIC®



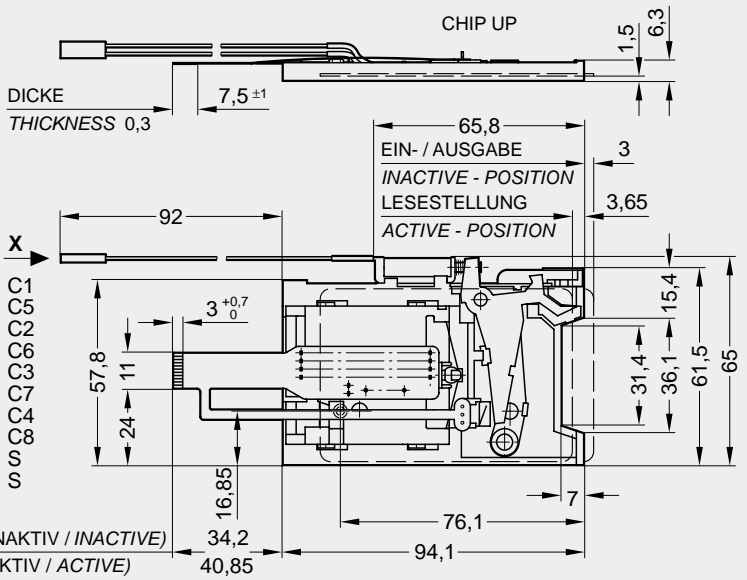
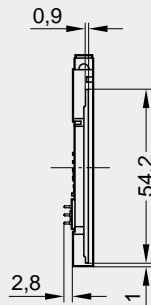
Description	Contact position	Part No.
Low Profile PUSHMATIC®		
with debris slot	ISO	C702 10M008 900 4
without debris slot	ISO	C702 10M008 901 4

SCHALTER FÜR
KARTENANWESENHEIT UND
VERRIEGELUNG IN REIHE
CARD PRESENCE SWITCH
AND LOCKING DETECTOR
IN SERIES

Ansicht X
View



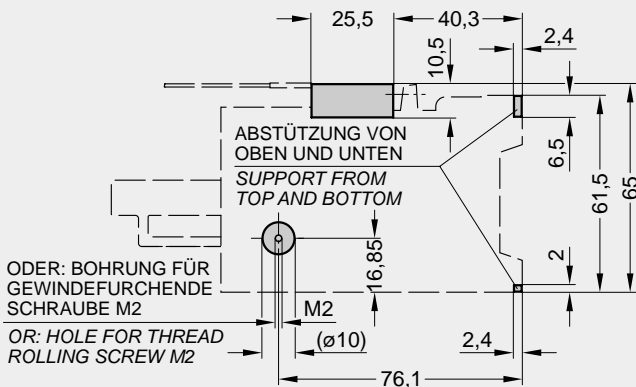
BUCHSENLEISTE FÜR
PFOSTENVERBINDER
SOCKET FOR HEADER
0,63 x 0,63



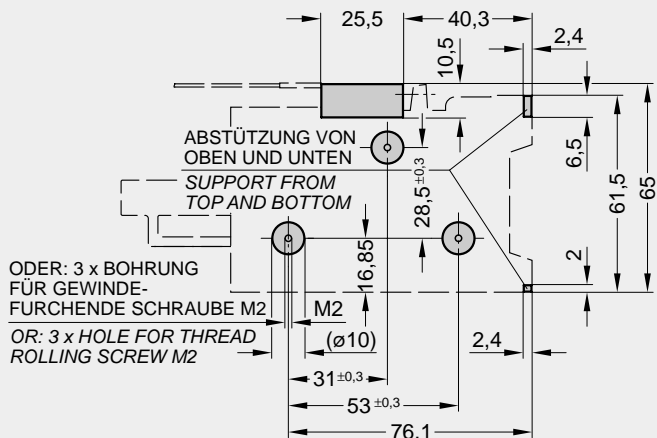
MONTAGEHINWEIS FÜR KUNDEN
CUSTOMER ASSEMBLY INSTRUCTIONS

MINIMALE GERÄTESEITIGE ABSTÜTZUNG
MINIMUM REQUIRED SUPPORT BY CUSTOMER TERMINAL

C702 10M008 900 4
PUSHMATIC LOW PROFILE MIT ENTSORGUNGSSCHACHT
PUSHMATIC LOW PROFILE WITH DEBRIS SLOT



C702 10M008 901 4
PUSHMATIC LOW PROFILE OHNE ENTSORGUNGSSCHACHT
PUSHMATIC LOW PROFILE WITHOUT DEBRIS SLOT



C702C Technical Data

Electrical Characteristics	Standard	Value
Contact resistance	IEC 60512-2, Test 2a	≤ 100 mΩ
Insulation resistance	IEC 60512-3, Test 3a	≥ 10 ⁹ Ω
High voltage resistance	IEC 60512-2, Test 4a	500 V _{Ac} ; 1 min

Unlocking solenoid

Rated voltage		5 V ± 10%
Current consumption		≈ 2 A
Current pulse length		10 ... 30 ms
Pulse break		≥ 1 s

Climatical Characteristics (Preliminary)

Climatic category	IEC 60068-1	20 / 60 / 21
Operating temperature	without condensation	- 20 °C ... + 60 °C
Storage temperature		- 40 °C ... + 85 °C

Mechanical Characteristics (Preliminary)

Card insertion force	IEC 60512-7, Test 13b	≤ 10 N
Mechanical lifetime	IEC 60512-5, Test 9a (without corrosion stress)	300,000 mating cycles
Vibration	IEC 60512-4, Test 6d	f = 4 ... 11.2 Hz 10 mm DA f = 11.2 ... 500 Hz a = 5 g 2 h / axis
Shock, without disconnection	IEC 60512-4, Test 6c	≤ 40 g; 6 ms; halfsine 100 shocks / direction in 3 axis
Shock, without destruction	IEC 60512-4, Test 6c	500 g; 1 ms; halfsine 2 shocks / direction in 3 axis
Contact force		20 ... 50 cN

Switch

Switch	Description	Function
Card presence switch and locking detector in series	Card detection, card in slot Contacts locked, card in active position	free from potential; ≤ 10 ms chattering time
Switching capacity		max. 12 V / 50 mA (200,000 switching cycles) min. 5 V / 0.1 mA (300,000 switching cycles)

Termination

Termination	Suitable connector
Flexprint 10 contacts; 1 mm pitch	Flexprint connector 10 contacts; 1 mm pitch; see page 30 «Accessories Flexprint Connectors»