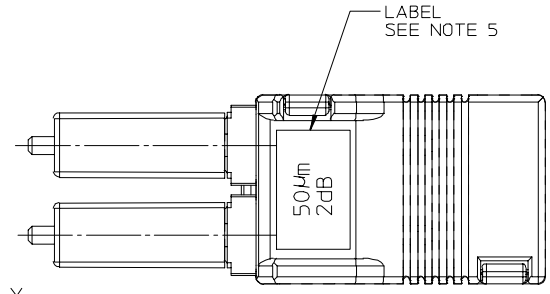
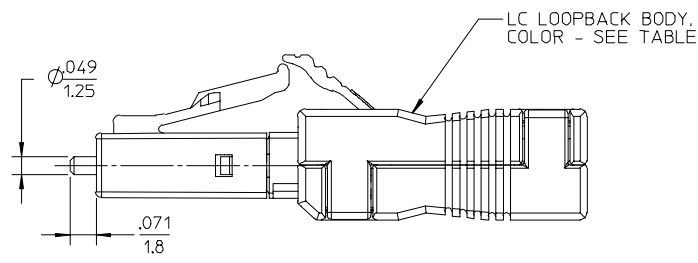
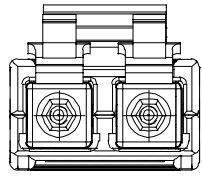
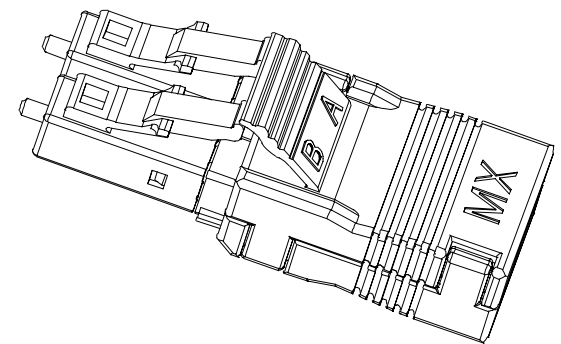
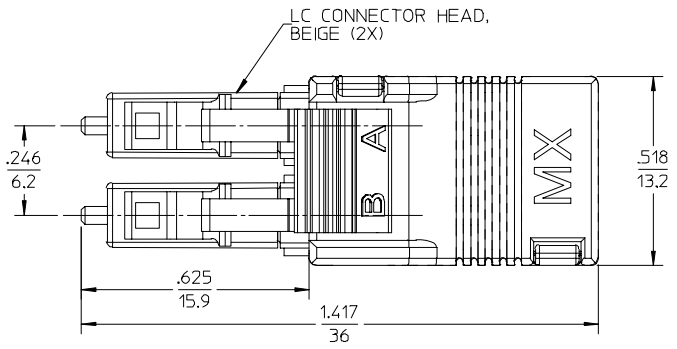


10	9
LOOPBACK CONN. P/N	LOOPBACK BODY COLOR
106052-0010	BEIGE
106052-0080	BLACK



- NOTES:
1. ALL DIMENSIONS ARE FOR REFERENCE ONLY.
 2. DUST CAPS ARE NOT SHOWN, BUT INCLUDED.
 3. FIBER TYPE - MM 50/125µm.

4. MAXIMUM INSERTION LOSS PER CONNECTOR (TWO MATED PAIRS):
 AT 850nm: 2.0dB.
 AT 1310nm: 2.0dB.

5. LABEL IS PRINTED WITH "50µm" AND "2dB" AND PLACED ON THE BACK SIDE OF THE CONNECTOR AS SHOWN.

ENTER DESCRIPTION EC NO: MF2007-0793 DRWN: IGUMIN 2007/07/09 CHKD: IGUMIN 2007/07/09 APPR: IGUMIN 2007/07/09	QUALITY SYMBOLS ▽=0 ▽=0	GENERAL TOLERANCES (UNLESS SPECIFIED)		DIMENSION STYLE	SCALE	DESIGN UNITS	THIRD ANGLE PROJECTION	
				IN/MM	2:1	METRIC		
		4 PLACES ± --- ± ---	3 PLACES ± --- ± ---	DRAWN BY	DATE	TITLE		
		2 PLACES ± --- ± ---	1 PLACE ± --- ± ---	IGUMIN	2007/06/29	LC LOOPBACK MM 50/125UM		
		ANGULAR ±1/2°		CHECKED BY	DATE	APPROVED BY		
		DRAFT WHERE APPLICABLE MUST REMAIN WITHIN DIMENSIONS		IGUMIN	2007/06/29	DATE		
		MATERIAL NO.		DATE		MOLEX INCORPORATED		
		SEE TABLE		DOCUMENT NO.		SHEET NO.		
		SIZE B		THIS DRAWING CONTAINS INFORMATION THAT IS PROPRIETARY TO MOLEX INCORPORATED AND SHOULD NOT BE USED WITHOUT WRITTEN PERMISSION		SD-106052-0010 1 OF 1		