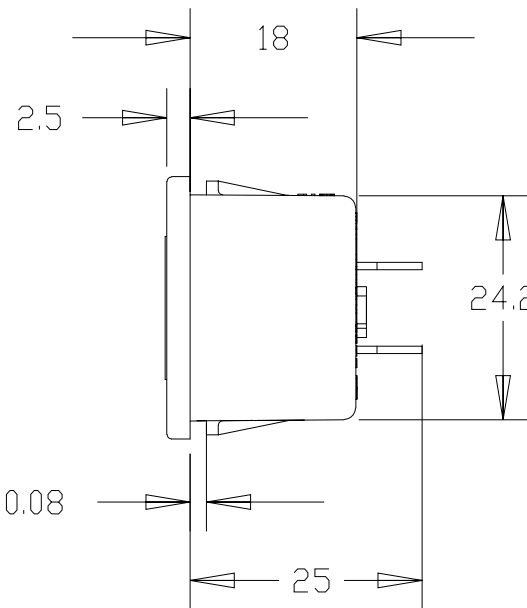
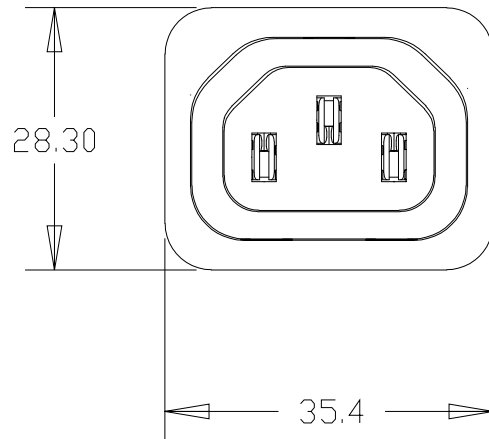


PANEL CUTOUT



THIS DOCUMENT AND ITS CONTENTS ARE THE PROPRIETARY, CONFIDENTIAL PROPERTY OF INTERPOWER CORPORATION. NO USE OR COPIES MAY BE MADE WITHOUT WRITTEN PERMISSION FROM INTERPOWER.

REV	CHANGE DESCRIPTION	DATE	BY
3	Added enhanced holding tabs.	4-16-21	DDF
2	REVISED PANEL CUTOUT 32.6 WAS 33	7-2-13	LCS
1	INITIAL RELEASE	6-5-12	BEM

DIMENSIONS: MM		TITLE	
DRAFT BY: BEM DATE: 6-5-12		SHEET F - 15MM SNAP-IN SOLDER TAB CONTACTS	
DRAFTING APPROVAL: SRK DATE: 6-5-12		ASSY NUMBER: 83030630	
MATERIAL:		DO NOT SCALE	INTERPOWER CORPORATION
		SHEET 1 OF 1	