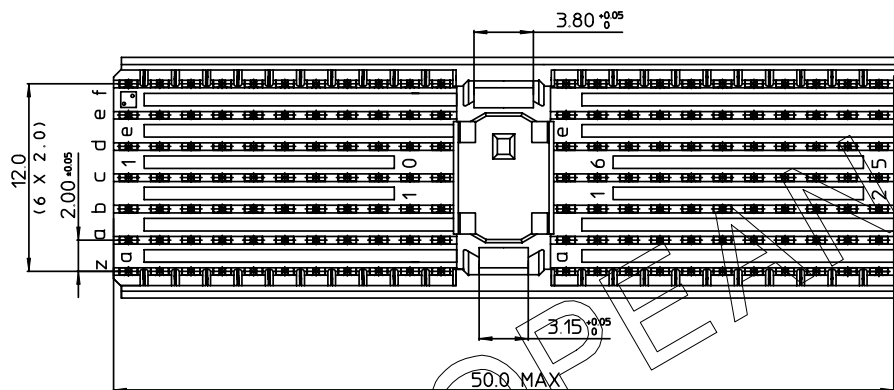
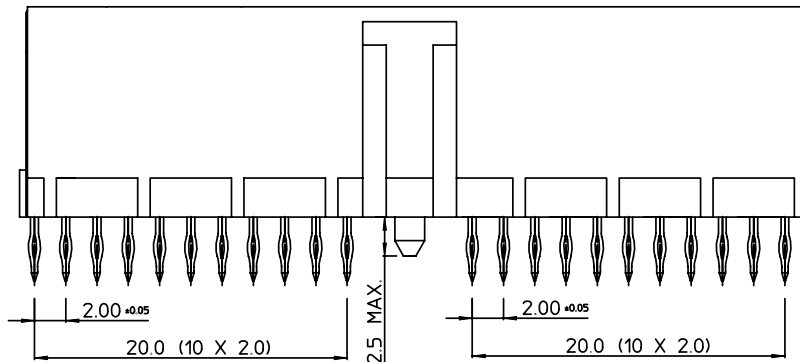


GEN. ST.	01	02	03	04	05	06	07	08	0D	50	60	70	80	90																	
INT. ST.	10	11	12	13	14	18	20	31	32	33	34	38	39	40	42	43	44	45	46	48	56	70	72	73	75	76	81	82	83	84	88

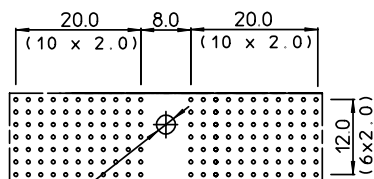
REV.	DATE	DESCRIPTION	BY	C'K'D'
A	2001-09-14	CONVERSION REVISION 02	KN	
B	2005-10-05	105-0184	ALEX B	BKP
C	2006-07-05	106-0096	VIVEK	BKP



CONTACT LAY-OUT

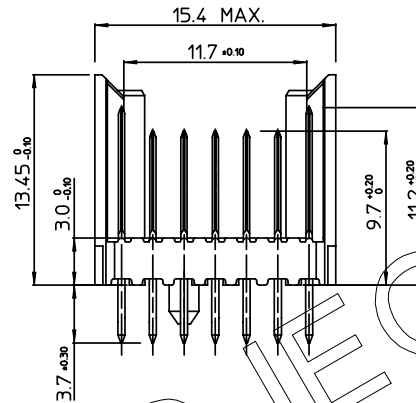
ROW Z,F : MATING LEVEL 3 / SHORT TERMINATION  
 ALL POS  
 ROW A,B,C,D,E : MATING LEVEL 2 / SHORT TERMINATION  
 ALL POS

LAY-OUT  
 P.C.B.-HOLES



THIS IS OUR EXCLUSIVE PROPERTY. IT IS NOT TO BE COPIED, REPRINTED OR DISCLOSED TO A THIRD PARTY. NOR USED FOR MANUFACTURING WITHOUT OUR WRITTEN CONSENT. AND HAS TO BE RETURNED TO US IN CASE OF NO USAGE

DIT IS ONZE EIGENDOM EN MAG NIET NAGEMAAKT, HERDRIKT, OVERGEMAAKT AAN DERDEN, NOCH VOOR FABRIKATIE GEBRUIKT WORDEN, ZONDER ONZE SCHRIFTELIJKE TOELATING. BIJ NIET GEBRUIK IS TERUGZENDING VERPLICHT.



PERFORMANCE CHARACTERISTICS

CURRENT RATING : 1.5 A AT 20°C ( FULLY LOADED )  
 1 A AT 70°C ( FULLY LOADED )  
 RATED VOLTAGE : 500 V AC (CONT / CONT )  
 OPERATING TEMPERATURE : -55°C TO 125°C  
 CONTACT RESISTANCE : 20 mΩ MAX  
 INSERTION FORCE : 0.75 N MAX / CONT  
 EXTRACTION FORCE : 0.15 N MIN / CONT  
 INSULATION RESISTANCE : 10<sup>4</sup> MΩ MIN

LEAD FREE INDICATOR : LF = LEAD FREE  
 (DIGIT 15 & 16)

HM2P07PDE121

PLATING CODE (DIGIT 13 AND 14)  
 (REF DWG No. BS.C ,201844,003)

NOTES:

1. THIS PRODUCT IS CSA APPROVED.
2. THIS PRODUCT IS UL RECOGNIZED.
3. MEASURED AT THE BOTTOM.
4. MATERIAL CONTACT: PHOSPHORBRONZE  
 HOUSING: CREAM WHITE GLASSFILLED POLYESTER UL-94V0
5. CONNECTOR PRINTED WITH P/N AND DATE CODE.
6. FOR ACTUAL CONTACT LOADINGS, SEE LOADING PATTERN MATING SIDE.
7. SHAPE OF CONNECTOR HOUSING CAN ALTER DEPENDING ON PRODUCTION LOCATION.
8. THE PRODUCT (LF) MEETS EUROPEAN UNION DIRECTIVES AND OTHER COUNTRY REGULATIONS AS DESCRIBED IN GS-22-008
9. FOR RECOMMENDED PTH DIMENSIONS REFER DRAWING : BS.A ,201572,001

MALE SIGNAL STRAIGHT PRESS-FIT-TO-BOARD CONNECTOR  
 WITH SERVICECENTER

1DEC ±0.2	APPR.	DATE	SIGN.	MILLIPACS 2 / TYPE A / SHIELDED
2DEC ±0.1	DRAFT	1997-01-23	W.Panis	CAT. No. HM2P07PDE121----
ANGLES ±1°	CHECKED			SCALE
WE RESERVE THE RIGHT TO CHANGE DIMENSIONS OR REQUIREMENTS WITHOUT PRIOR NOTICE.	PROD. MGR.			3/1
ALL DIMENSIONS IN MM	PR. ENG. MGR.			www.fciconnect.com
	PR. MGT. MGR.			

REFERENCES



BS.C ,201632,020

C

DRAWING No. CUSTOMER DRAWING REVISION