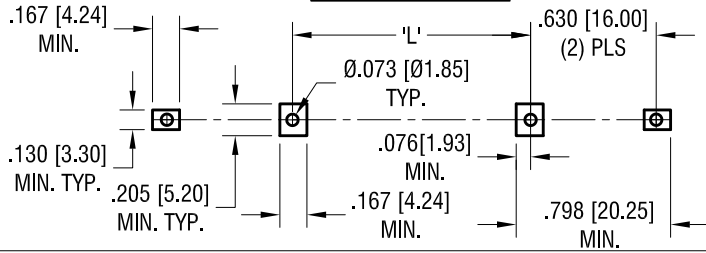


THIS DOCUMENT IS THE PROPERTY OF KEYSTONE ELECTRONICS CORP. AND SHALL NOT BE REPRODUCED, DISTRIBUTED OR USED AS A BASIS FOR MANUFACTURE WITHOUT PRIOR WRITTEN PERMISSION FROM KEYSTONE ELECTRONICS CORP.

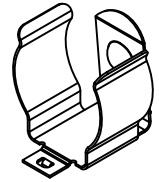
MOUNTING LAYOUT



BATTERY	'L'
CR123A	.270 [6.85]
18350	.324 [8.23]
18650 *	1.584 [40.23]
17500	2.175 [55.23]

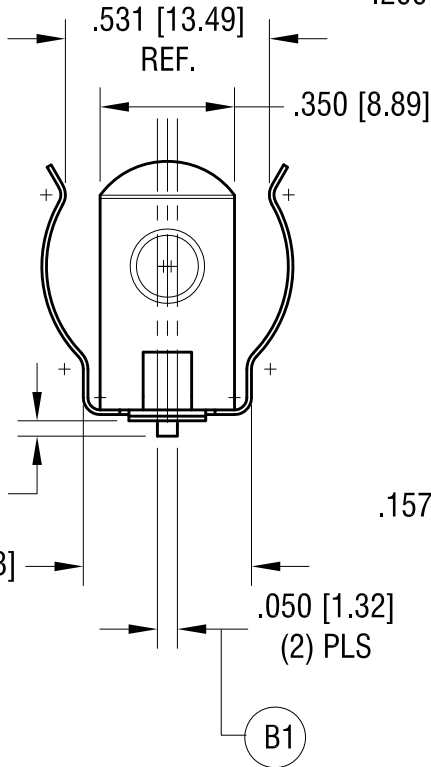
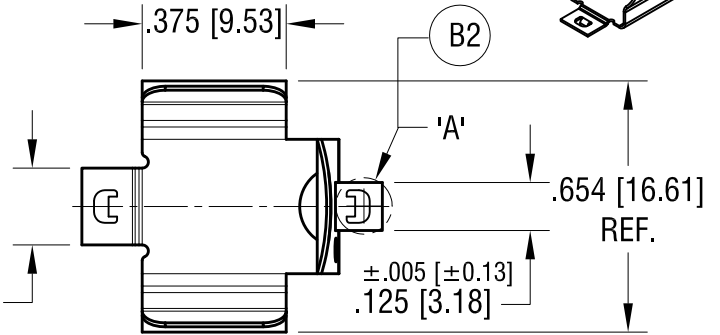
* FOR BATTERIES WITH BUILT-IN CIRCUIT PROTECTION (67mm LONG)

ACTUAL SIZE

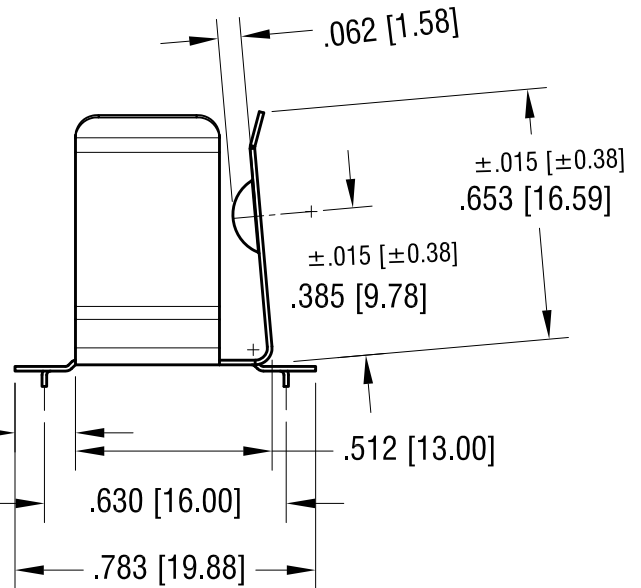


DETAIL 'A'

±.005 [±0.13]
.200 [5.08]



.350 [8.89]



NOTE:

1. HEAT TREAT TO SPRING TEMPER

PCB PROTECTION CIRCUITS ARE REQUIRED WHEN USED WITH LITHIUM-ION BATTERIES

KEYSTONE ELECTRONICS CORP.

www.keyelco.com • NEW HYDE PARK, NY 11040 • Tel (516) 328-7500

PART NAME

16mm - 19mm SM BATTERY CLIP

MATERIAL

.012 [0.30] TH'K ANNEALED SPRING STEEL

FINISH

TIN NICKEL PLATE

DRN BY

NT

DATE

1.17.18

APP'D

LN

SCALE

2X

TOLERANCES

INCH [MM]

DECIMAL

±.010 [±0.25]

ANGULAR

± 2°

UNLESS OTHERWISE SPECIFIED

CODE

C

DWG NO.

254

8.15.22

B1 WAS .060, ADD RELIEF B2 CHANGE AS PER ECN 22-141

B

6.14.21

REMOVE HOLE FOR WIRE CHANGE AS PER ECN 21-053

A

DATE

DESCRIPTION

REV.