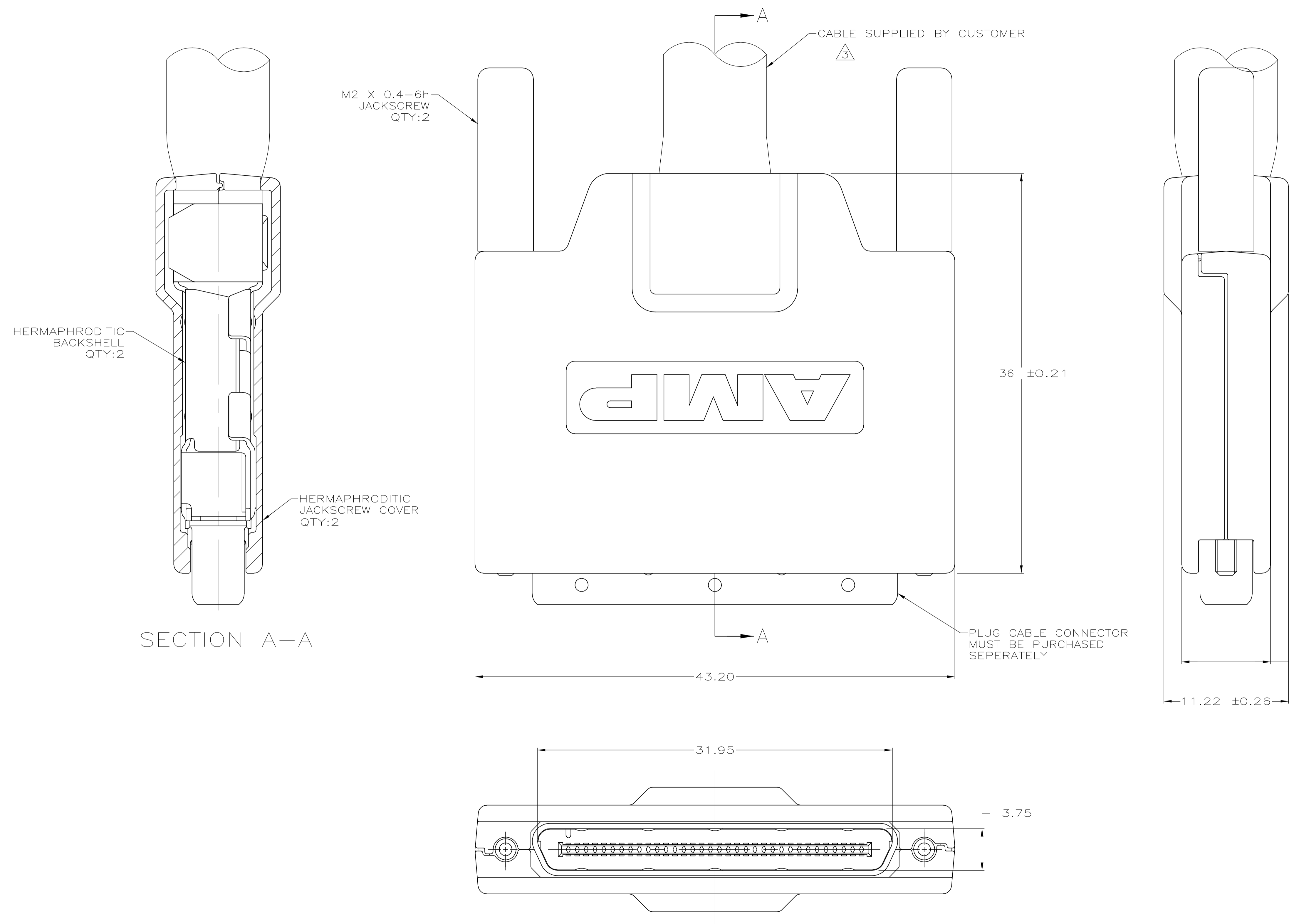


LOC		DIST		REVISIONS			
GP	00	REV	DATE	BY	APP'D	REV	DATE
0		RELEASED PER EC 0513-0337-05	16MAR06	JG	SS		



- ⚠ MATERIAL:
 HERMAPHRODITIC BACKSHELL: STEEL.
 JACKSCREW: STEEL.
 JACKSCREW HEAD: ABS MOLDING COMPOUND, COLOR BLACK.
 HERMAPHRODITIC JACKSCREW COVER: UL 94V-0 RATED ABS MOLDING COMPOUND, COLOR BLACK.
- ⚠ PLATING:
 HERMAPHRODITIC BACKSHELL- 5µm MIN BRIGHT NICKEL OVER 2.5µm MIN COPPER.
 JACKSCREW - BLUE TRIVALENT CHROMIUM OVER ZINC.
- ⚠ RECOMMENDED WIRE: 30 AWG WITH A 0.56-0.64 INSULATION DIAMETER, WIRE MUST BE APPROVED BY AMP ENGINEERING.
- 4. BULK PACKAGED 100 KITS PER BAG.

5787191-1
 PART NO

THIS DRAWING IS A CONTROLLED DOCUMENT.		DWG J.GERACE 16MAR06		Tyco Electronics Corporation Harrisburg, PA 17105-3608	
DIMENSIONS: mm		CHK S.SHUEY 16MAR06		AP'D M.WALMSLEY 16MAR06	NAME BACKSHELL KIT, JACKSCREW, CABLE CONNECTOR, 0.8mm CHAMP
TOLERANCES UNLESS OTHERWISE SPECIFIED: 0 PLC ± - 1 PLC ± - 2 PLC ± 0.13 3 PLC ± - 4 PLC ± - ANGLES ± -		PRODUCT SPEC 108-1471		RESTRICTED TO	
MATERIAL 1		FINISH 2		SIZE A1	CAGE CODE 00779
CUSTOMER DRAWING		DRAWING NO 5787191		SCALE 5:1	SHEET 1 OF 1