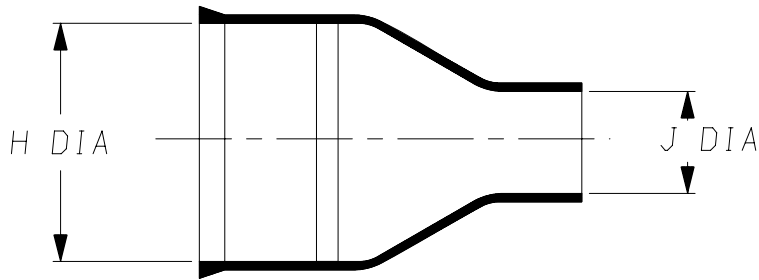
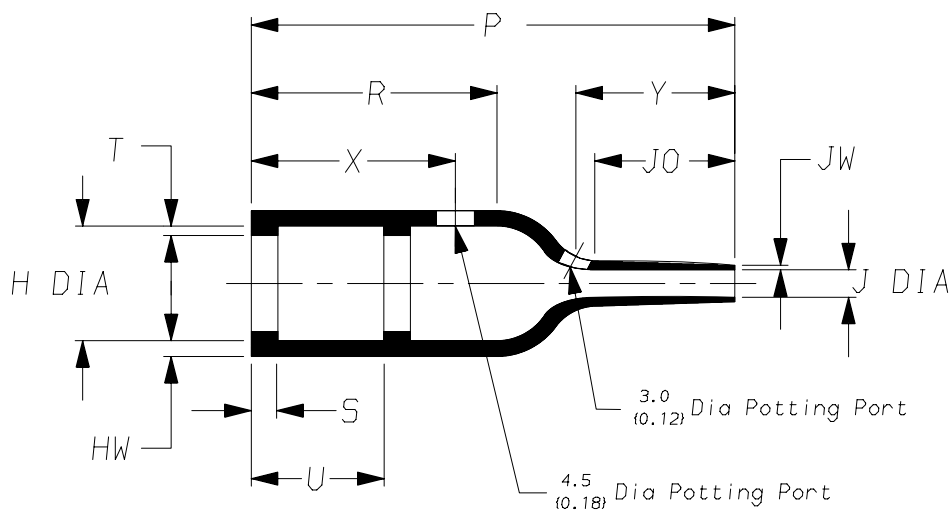


a) Part as supplied.

202K232-100



b) Part after unrestricted recovery.



**DIMENSIONS** in millimetres  
(in inches, for reference)

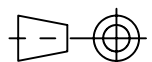
Part No.	H		J		P	R	S	T	U	J0	HW	JW	X	Y
	Min a	Max b	Min a	Max b	±10% b	±10% b	±10% b	±10% b	±10% b	±10% b	±20% b	±20% b	±20% b	±20% b
202K232	25 {0.98}	13.8 {0.54}	8.0 {0.31}	3.3 {0.13}	55 {2.17}	28 {1.10}	3.0 {0.12}	1.0 {0.04}	15 {0.59}	16 {0.63}	1.8 {0.07}	0.5 {0.02}	24 {0.94}	18 {0.71}

**Copyright (!)**

The copyright in this drawing is the property of Tyco Electronics UK Ltd. The drawing is issued on the condition that it is not copied, reproduced or disclosed to a third party, either in whole or in part without the prior written consent of Tyco Electronics UK Ltd.

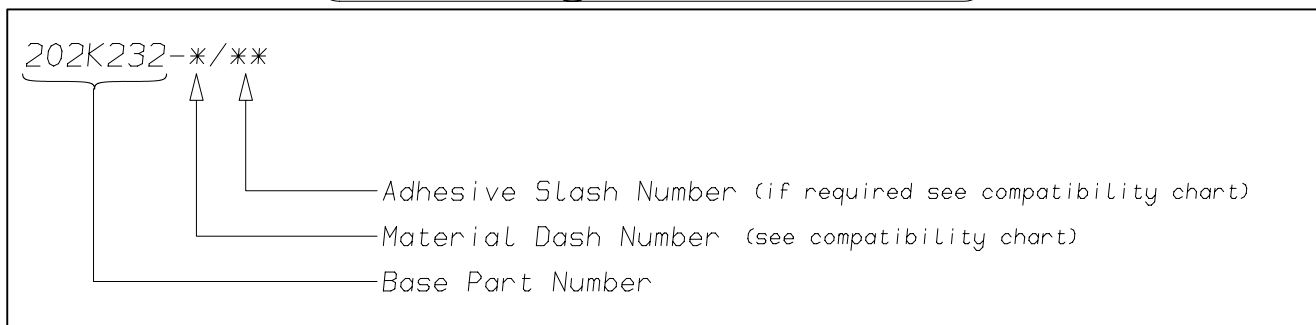
Drawn A.LILLEY. Checked Issue 1 Date April 2008 Conforms to ISO Recommendations  
3rd Angle Projection  
Not to Scale

Approval Design MKTG. Tech.



<b>Raychem</b>		<b>Specification Control Drawing</b>	Part Number 202K232-100 Issue 1
Iss.	Date	E.C.R. No.	Details of Change

### (Ordering Information)



### (COMPATIBILITY CHART)

Material Dash Number	Material Description	SPEC Number	Coating Slash Number
-100	ZEROHAL	RW-2058	/86, /180 (see note 3)

#### NOTES

- ① As supplied dimensions are for uncoated parts, when coating is added entry diameters will reduce by 1.5mm Max.
- ② Potting Ports are optional, when specified by suffix "-00" they will be located as shown.
- ③ ZEROHAL is a trademark of Tyco Electronics

Tyco Electronics UK Ltd. Faraday Road, Swindon, Wiltshire, SN3 5HH England Telephone: (01793) 528171 Fax: 572516	Tyco Electronics Corporation 300, Constitution Drive, Menlo Park, CA 94025 USA Telephone (650) 361-3860 Fax: (650) 361-5579
Cage Code K1010	Cage Code 06090