

# DTM 995B

## LCD Thermocouple Indicator

### FEATURES

- Measures temperature from a K, J or T-type thermocouple
- -200 to +1300°C (-328 to +1999°F) measurement range
- Cold-junction compensation
- Displays current, highest and lowest readings
- 19mm (0.75") digit height
- Screw terminal connections
- LED backlighting

The DTM 995B is compatible with K, J and T type thermocouples. It can measure between -200 and +1300 °C (-328 to +1999 °F) when using an appropriate thermocouple.

The current value and the maximum and minimum values since power-on are recorded, which can be recalled and displayed by using an external push button connected to the meter. Calibration can be performed easily using two potentiometers located on the rear of the meter. Cold-junction compensation is used to maintain accuracy when the meter is exposed to changes in temperature.

The meter is housed in a robust carrier, which can be bolted in place or panel mounted using the low profile bezel, window and clips provided. Backlighting is fitted for use in poor lighting conditions.

### ORDERING INFORMATION

Standard Instrument     DTM 995B  
(panel meter, fixing kit, data sheet)



### SPECIFICATIONS

	Minimum	Typical	Maximum	Unit
Accuracy (excluding probe)		1 (2)		°C (°F)
Thermocouple measurement range (K-type)	-200 (-328)		+1300 (+1999)	°C (°F)
Thermocouple measurement range (J-type)	-130 (-202)		+900 (+1652)	°C (°F)
Thermocouple measurement range (T-type)	-200 (-328)		+350 (+662)	°C (°F)
Supply voltage (normal operation)*	7.5		30	V d.c.
Supply voltage (5V mode)*	4.75	5	5.25	V d.c.
Backlight voltage**	4.75	5	5.25	V d.c.
Supply current	6mA (@30V)		13mA (@5V)	mA
Supply current with backlighting**	20mA (@30V)		50mA (@5V)	mA
Operating temperature range	0 (32)		50 (122)	°C (°F)
Temperature stability			0.05 (0.1)	°C/°C (°F/°F)

\* A 5V mode is available by moving DIP switch 2 to the 'on' position. Inputting a voltage larger than 5V in this mode may cause permanent damage to the meter.

\*\* Backlighting can be run off the internal voltage regulator by moving DIP switch 1 to the on position. Using the backlighting in this way will cause some self heating of the meter. This can be calibrated out during initial setup, however the final application will need to continue using the backlighting to maintain the calibration.

# DTM 995B

## LCD Thermocouple Indicator

### CALIBRATION PROCEEDURE

It is recommended that the DTM 995B is calibrated with a matched probe to achieve the most accurate readings. Calibration uses two known temperatures to adjust the span and offset of the meter; the example below uses our recommended 0°C and 100°C (32 and 212°F) as these temperatures can be achieved using water at the point of freezing and boiling respectively.

- 1) Place the thermocouple at the first known temperature (e.g. 0°C (32°F)). Adjust the 'OFFSET' potentiometer to display the correct value (e.g. 000 for °C (or 032 for °F)).
- 2) Place the thermocouple at the second known temperature (e.g. 100°C (212°F)) and adjust the 'CAL' potentiometer to display the correct value (e.g. 100 for °C (or 212 for °F)).
- 3) Repeat steps 1 and 2 until there are no more adjustments of CAL and OFFSET required to display the correct reading at each known temperature.

### SCREW TERMINAL FUNCTIONS

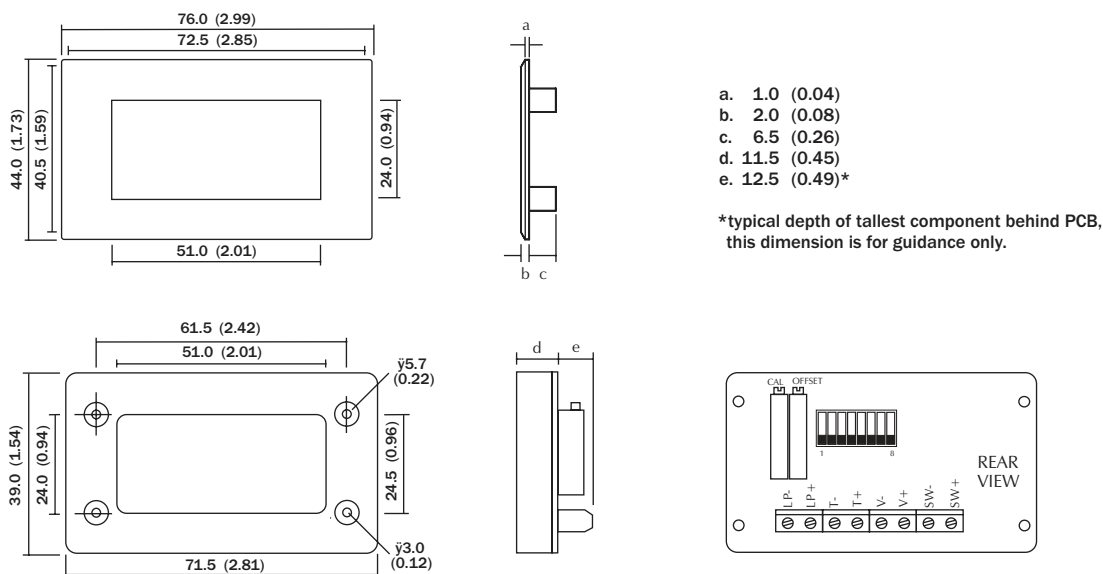
- |        |   |  |
|--------|---|--|
| 1. LP- | Negative power supply to the LED backlighting |  |
| 2. LP+ | Positive power supply to the LED backlighting |  |
| 3. T-  | Connection to negative part of thermocouple   |  |
| 4. T+  | Connection to positive part of thermocouple   |  |
| 5. V-  | Negative power supply connection to the meter | ] Check position of DIP switch 2 before connection power supply              |
| 6. V+  | Positive power supply connection to the meter |  |
| 7. SW- | Negative switch connection                    | ] Used to cycle between current, maximum and minimum readings since power-on |
| 8. SW+ | Positive switch connection                    |  |

Note - When connecting thermocouples, ensure that the wires are carefully cleaned and are connected directly to the module. Only use extension cables and connectors specifically designed for thermocouples.

### DIMENSIONS

All dimensions in mm (inches)

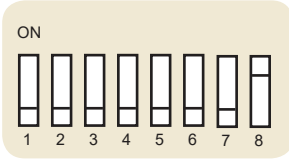
Panel cut-out 72 x 40 (2.83 x 1.57)  
Maximum panel thickness 3mm (0.12).



# DTM 995B

## LCD Thermocouple Indicator

### DIP SWITCH CONFIGURATION



### DIP SWITCH FUNCTIONS

An 8-way DIP switch is located on the reverse of the module. This switch is used to control the features of the meter, including selecting the type of thermocouple (K-type by default) and changing the temperature scale ( $^{\circ}\text{C}$  by default).

- |                             |   |
|-----------------------------|---|
| 1. Backlight supply         | Move to the 'on' position to connect the backlight to the internal voltage regulator. LP- still needs to be connected to ground |
| 2. Supply voltage           | Move to the 'on' position to bypass the voltage regulator and run from the module from 5V (off by default)                      |
| 3. Resolution               | Move to the 'on' position to increase the resolution to one decimal place (only applies to values under $200^{\circ}\text{C}$ ) |
| 4. Temperature scale select | By default, the module displays the temperature in $^{\circ}\text{C}$ . Move to the 'on' position to display $^{\circ}\text{F}$ |
| 5. Ambient temperature      | Move to the 'on' position to read the ambient temperature of the meter. A thermocouple does not need to be connected            |
| 6. T-type thermocouple      | Move to the 'on' position to select T-type thermocouple input   |
| 7. J-type thermocouple      | Move to the 'on' position to select J-type thermocouple input   |
| 8. K-type thermocouple      | Move to the 'on' position to select K-type thermocouple input   |

**NB.** Ensure only one selection switch is in the 'on' position at any time.

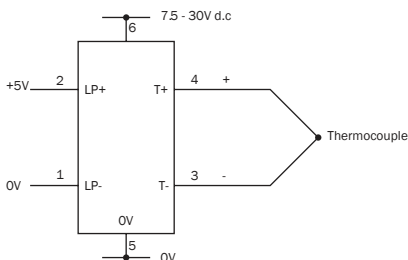
### LCD SYMBOLS

'IP' Return dip switches 5 to 8 to the off position. Only 1 of these switches may be used at a time.

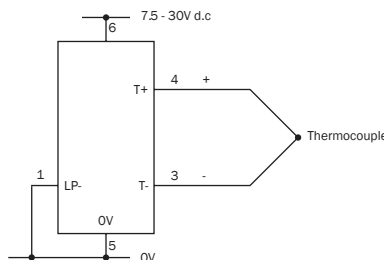
### VARIOUS OPERATING MODES

Ensure that the thermocouple probes are isolated from the meter's power supply.

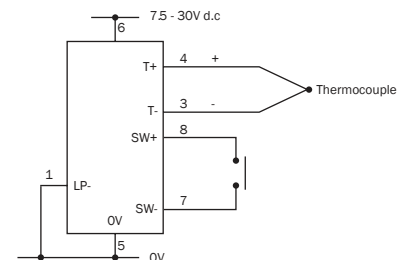
There are two ways to power the LED backlight. Either use a 5V supply on LP+/LP- or use the internal meter 5V supply.



With external backlighting supply.



With internal (continuous) backlighting supply. Move DIP switch 1 to the 'on' position.



With external switch to change the display reading between current, maximum and minimum value (since power on).