



Connectors > PCB Connectors > Wire-to-Board Connectors > Wire-to-Board Connector Contacts



Contact Type: **Socket**

Connector System: **Wire-to-Wire**

Wire Size: **.05 – .15 mm²**

Contact Mating Area Plating Material: **Tin**

Features

Product Type Features

Connector System	Wire-to-Wire
Connector & Contact Terminates To	Wire & Cable

Electrical Characteristics

Dielectric Withstanding Voltage (Max)	750 VAC
Insulation Resistance	500 MΩ

Contact Features

Mating Square Post Dimension	.64 mm[.025 in]
Wire Contact Termination Area Plating Thickness	.8 μm
Wire Contact Termination Area Plating Material	Pre-Tin
Contact Mating Area Plating Material Thickness	.8 μm
Contact Base Material	Phosphor Bronze
Contact Type	Socket
Contact Mating Area Plating Material	Tin
Contact Current Rating (Max)	2 A

Mechanical Attachment

Connector Mounting Type	Cable Mount (Free-Hanging)
-------------------------	----------------------------

Dimensions

Compatible Insulation Diameter Range	1 – 1.5 mm [.039 – .059 in]
Wire Size	.05 – .15 mm ²

Usage Conditions

Operating Temperature Range	-20 – 105 °C [-4 – 221 °F]
-----------------------------	----------------------------

Operation/Application

Circuit Application	Signal
---------------------	--------

Packaging Features

Packaging Quantity	7000
Packaging Method	Strip

Product Compliance

[For compliance documentation, visit the product page on TE.com>](#)

EU RoHS Directive 2011/65/EU	Compliant
EU ELV Directive 2000/53/EC	Compliant
China RoHS 2 Directive MIIT Order No 32, 2016	No Restricted Materials Above Threshold
EU REACH Regulation (EC) No. 1907/2006	Current ECHA Candidate List: JUNE 2023 (235) Candidate List Declared Against: JUNE 2023 (235) Does not contain REACH SVHC
Halogen Content	Low Halogen - Br, Cl, F, I < 900 ppm per homogenous material. Also BFR/CFR/PVC Free
Solder Process Capability	Not applicable for solder process capability

Product Compliance Disclaimer

This information is provided based on reasonable inquiry of our suppliers and represents our current actual knowledge based on the information they provided. This information is subject to change. The part numbers that TE has identified as EU RoHS compliant have a maximum concentration of 0.1% by weight in homogenous materials for lead, hexavalent chromium, mercury, PBB, PBDE, DBP, BBP, DEHP, DIBP, and 0.01% for cadmium, or qualify for an exemption to these limits as defined in the Annexes of Directive 2011/65/EU (RoHS2). Finished electrical and electronic equipment products will be CE marked as required by Directive 2011/65/EU. Components may not be CE marked. Additionally, the part numbers that TE has identified as EU ELV compliant have a maximum concentration of 0.1% by weight in homogenous materials for lead, hexavalent chromium, and mercury, and 0.01% for cadmium, or qualify for an exemption to these limits as defined in the Annexes of Directive 2000/53/EC (ELV). Regarding the REACH Regulation, the information TE provides on SVHC in articles for this part number is based on the latest European Chemicals Agency (ECHA) 'Guidance on requirements for substances in articles' posted at this URL: <https://echa.europa.eu/guidance-documents/guidance-on-reach>

Compatible Parts



TE Part # 172142-3
EIS LOW PROFILE HSG 3P NATURAL



TE Part # 172142-4
EIS LOW PROFILE HSG 4P NATURAL



TE Part # 172142-7
EIS LOW PROFILE HSG 7P NATURAL



TE Part # 172142-5
EIS LOW PROFILE HSG 5P NATURAL



TE Part # 172142-9
EIS LOW PROFILE HSG 9P NATURAL



TE Part # 1-172142-2
EIS LOW PROFILE HSG 12P NATURAL



TE Part # 172142-2
EIS LOW PROFILE HSG 2P NATURAL



TE Part # 1-172142-0
EIS LOW PROFILE HSG 10P NATURAL



TE Part # 172142-6
EIS LOW PROFILE HSG 6P NATURAL



TE Part # 172142-8
EIS LOW PROFILE HSG 8P NATURAL



TE Part # 2-172142-2
EIS LOW PROFILE HSG 2P BALCK



TE Part # 2-172142-3
EIS LOW PROFILE HSG 3P BALCK



TE Part # 2-172142-4
EIS LOW PROFILE HSG 4P BALCK



TE Part # 2-172142-5
EIS LOW PROFILE HSG 5P BALCK



TE Part # 2-172142-6
6P LOW PROF EI REC HSG



TE Part # 2-172142-7
REC HSG LOW PROFILE EI 7P



TE Part # 2-172142-8
REC HSG LOW PROFILE EI 8P



TE Part # 2-172142-9
REC HSG LOW PROFILE EI 9P

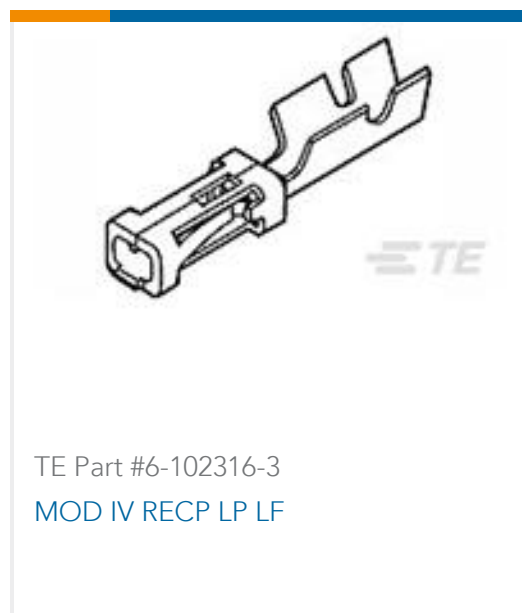


TE Part # 3-172142-0
REC HSG LOW PROFILE EI 10P



TE Part # 3-172142-2
REC HSG LOW PROFILE EI 12P

Customers Also Bought



Documents

Product Drawings

EI SER LOW PRO CONN

English

CAD Files

3D PDF

3D

Customer View Model

[ENG_CVM_CVM_170355-1_L.2d_dxf.zip](#)

English

Customer View Model

[ENG_CVM_CVM_170355-1_L.3d_igs.zip](#)

English

Customer View Model

[ENG_CVM_CVM_170355-1_L.3d_stp.zip](#)

English

By downloading the CAD file I accept and agree to the [Terms and Conditions](#) of use.

Datasheets & Catalog Pages



[1-1773972-5_EIS_Connectors_Brochure](#)

English

Product Specifications

[Application Specification](#)

English

[Crimping of Low Profile "EI" Series Connector](#)

English

Instruction Sheets

[Instruction Sheet \(non U.S.\)](#)

Japanese

[Low Profile "EI" Series Connector](#)

Japanese