

PART NAME: KNOB

SCALE: 1:1

DATE: 2/20/14

DR. BY JAM

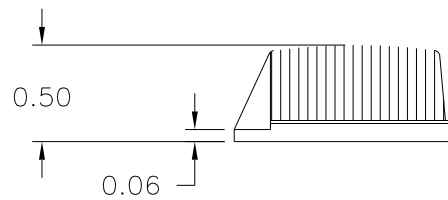
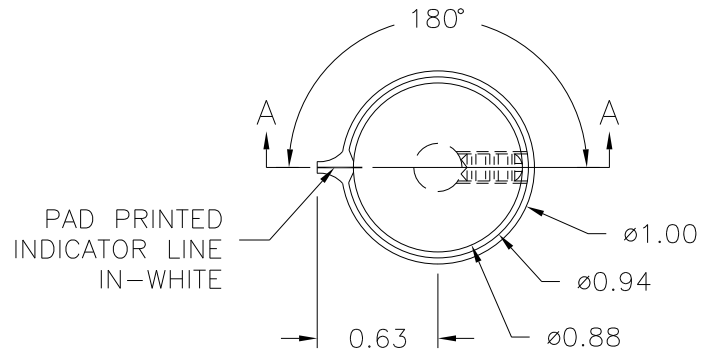
DAVIES MOLDING COMPANY  
CAROL STREAM, ILLINOIS 60188

P/N 1470BF

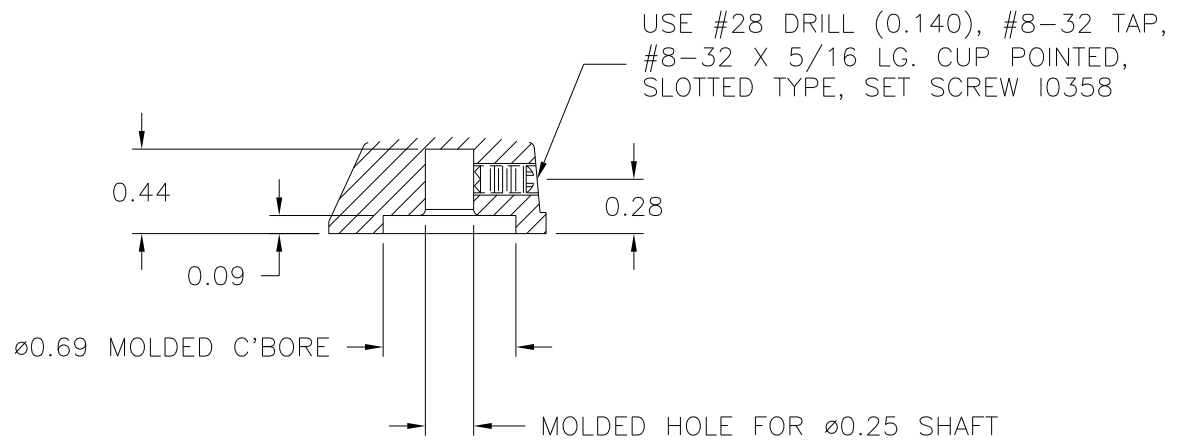
THIS DRAWING IS THE PROPERTY OF DAVIES MOLDING COMPANY, IS SUBMITTED SOLELY AS A DESIGN OR ENGINEERING PROJECT. WE ACCEPT NO RESPONSIBILITY WHATSOEVER FOR THE PRACTICAL APPLICATION OF THE PIECES MADE TO THIS DESIGN.

BASE PART 1470-13

SET SCREW 10358



SECTION A-A



MATERIAL: 2300-13 PHENOLIC (R23)  
COLOR: RED

TOLERANCES: UNLESS OTHERWISE SPECIFIED	DO NOT SCALE DRAWING				
DECIMALS: X.XXX ± .005 X.XX ± .015	MM: X.XX ± 0.15MM X.X ± 0.4MM	-	WAS SK1470-16	JAM	2/20/14
FRACTIONS ± 1/64	ANG. ± 1°	CHANGES			