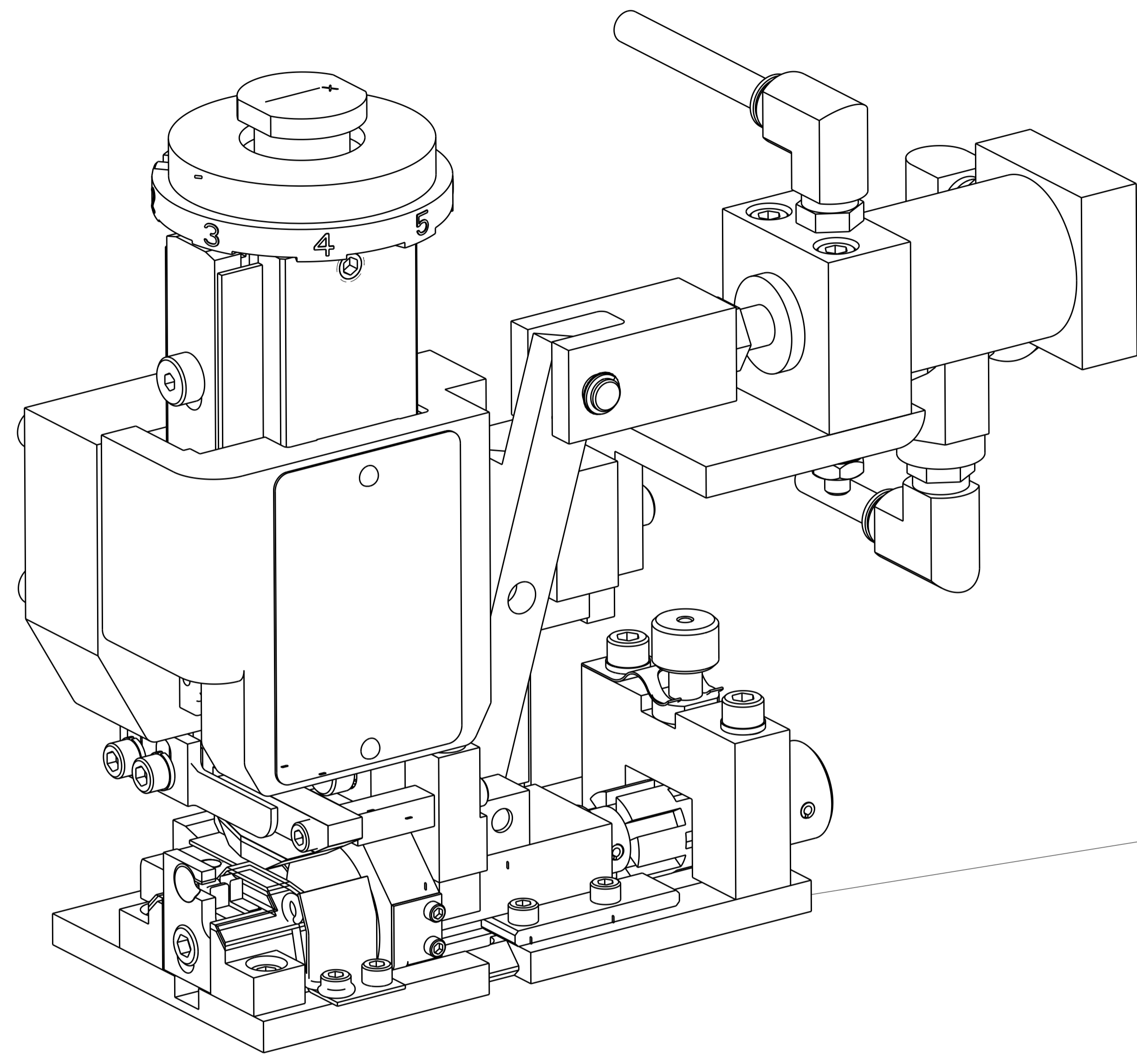
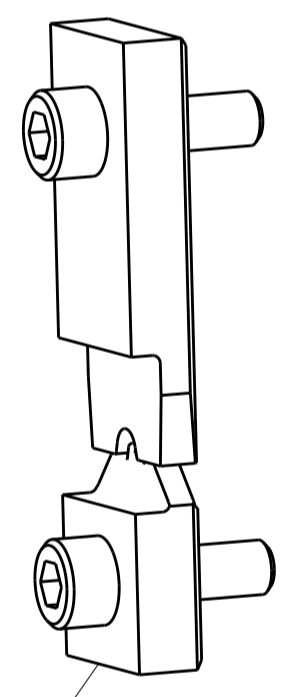


PART NUMBER	REV	FIRST USED
1852897-1	C	-
1852897-2	C	-
1852897-3	C	-
1852897-4	C	-
1852897-5	C	-

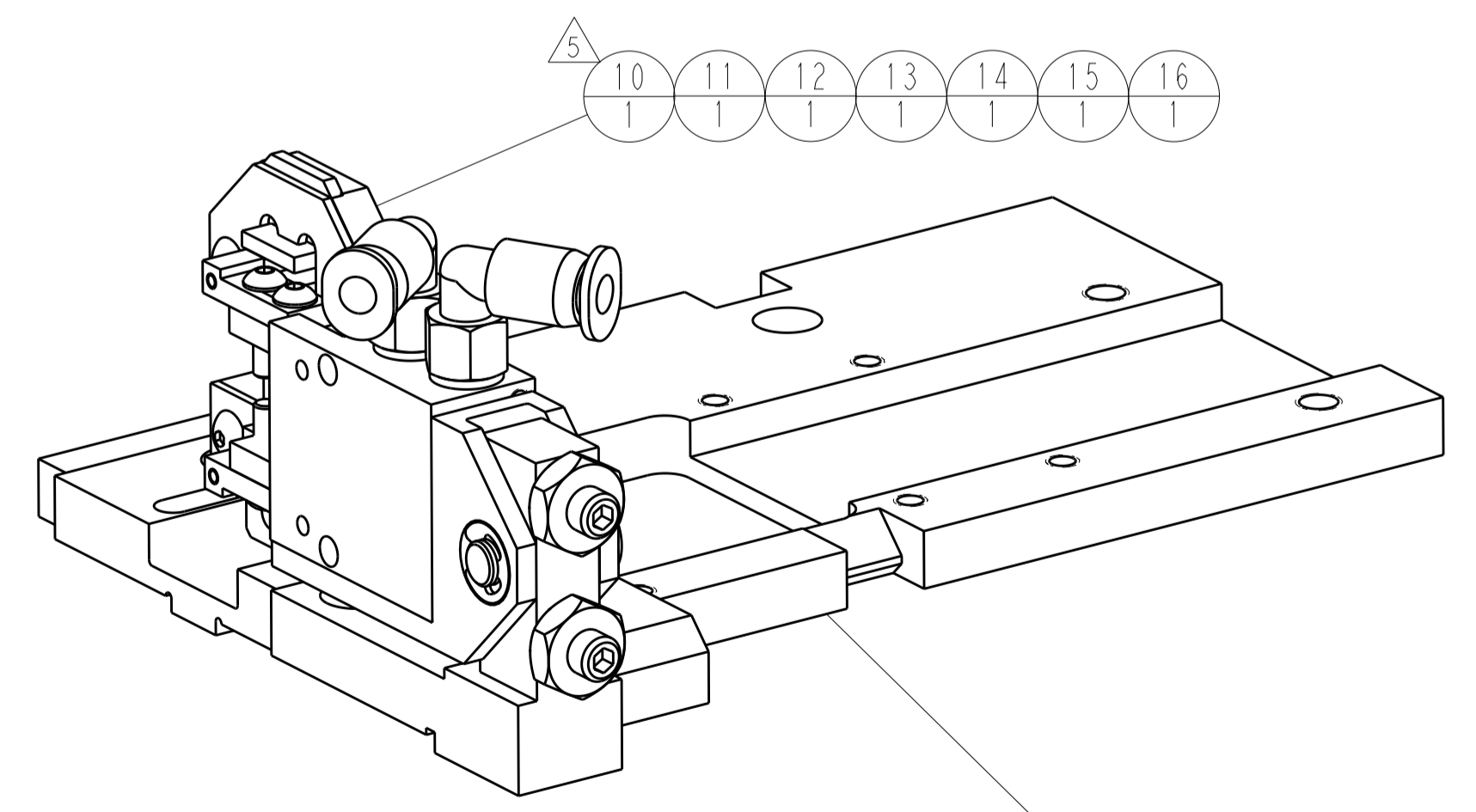
THIS DRAWING IS A CONTROLLED DOCUMENT



1. IDENTIFY PART PER TEC-115-67-7.
2. SUPPLY UNMODIFIED DIES TO ODYSSEY FOR MODIFICATION.
3. MODIFICATIONS DONE BY ODYSSEY.
4. SUPPLY UNMODIFIED APPLICATOR TO ODYSSEY.
5. PARTS SOURCED FROM ODYSSEY.



- 3 1
- 4 1
- 5 1
- 6 1
- 7 1



- 10 1
- 11 1
- 12 1
- 13 1
- 14 1
- 15 1
- 16 1

5	-	1	1	-	-	-	2280156-7	KIT, WIRE GUIDE	16
5	-	1	1	-	-	-	2280156-6	KIT, WIRE GUIDE	15
5	-	-	-	1	1	-	2280156-5	KIT, WIRE GUIDE	14
5	1	-	-	1	1	-	2280156-4	KIT, WIRE GUIDE	13
5	1	-	-	-	-	-	2280156-3	KIT, WIRE GUIDE	12
5	-	-	-	-	-	-	2280156-2	KIT, WIRE GUIDE	11
5	-	-	-	-	-	-	2280156-1	KIT, WIRE GUIDE	10
	2	2	2	2	2	-	21017-2	SCR, DRIVE, RH, TYPE U	9
	1	1	1	1	1	-	461264-1	PLATE, IDENTIFICATION	8
3 2	1	-	-	-	-	-	2280047-5	DIE ASSEMBLY	7
3 2	-	1	-	-	-	-	2280047-4	DIE ASSEMBLY	6
3 2	-	-	1	-	-	-	2280047-3	DIE ASSEMBLY	5
3 2	-	-	-	1	-	-	2280047-2	DIE ASSEMBLY	4
3 2	-	-	-	-	1	-	2280047-1	DIE ASSEMBLY	3
5	1	1	1	1	1	-	2280204-1	WIRE GUIDE ASSEMBLY	2
4 3	1	1	1	1	1	-	687658-1	CLOSED BARREL MINI APPLICATOR	1

REVISION RECORD				DATE		OWN	APVD	DIMENSIONS:		TOLERANCES UNLESS OTHERWISE SPECIFIED:		DWG		CHK		APVD		NAME		SCALE		SIZE		DRAWING NO		SHEET		REV		
C1	ECR-14-012282	14AUG2014	MY	TE				mm	0 PLC	±		G. HOFFNER	06 JAN 2014			T. ELBIN	07 JAN 2014			1:2	A1	1852897	1	of 1	C1					
C	ECR-14-011300	25JUL2014	MY	TE				ANGLES:	1 PLC	±		T. ELBIN	07 JAN 2014			T. ELBIN	07 JAN 2014													
LTR								SURFACE TEXTURE	2 PLC	±																				

THIS INFORMATION IS CONFIDENTIAL AND PROPRIETARY TO TFC ELECTRONICS CORPORATION. IT IS TO BE DISCLOSED TO ANYONE OTHER THAN TFC PERSONNEL, WITHOUT AUTHORIZATION FROM TFC ELECTRONICS CORPORATION.