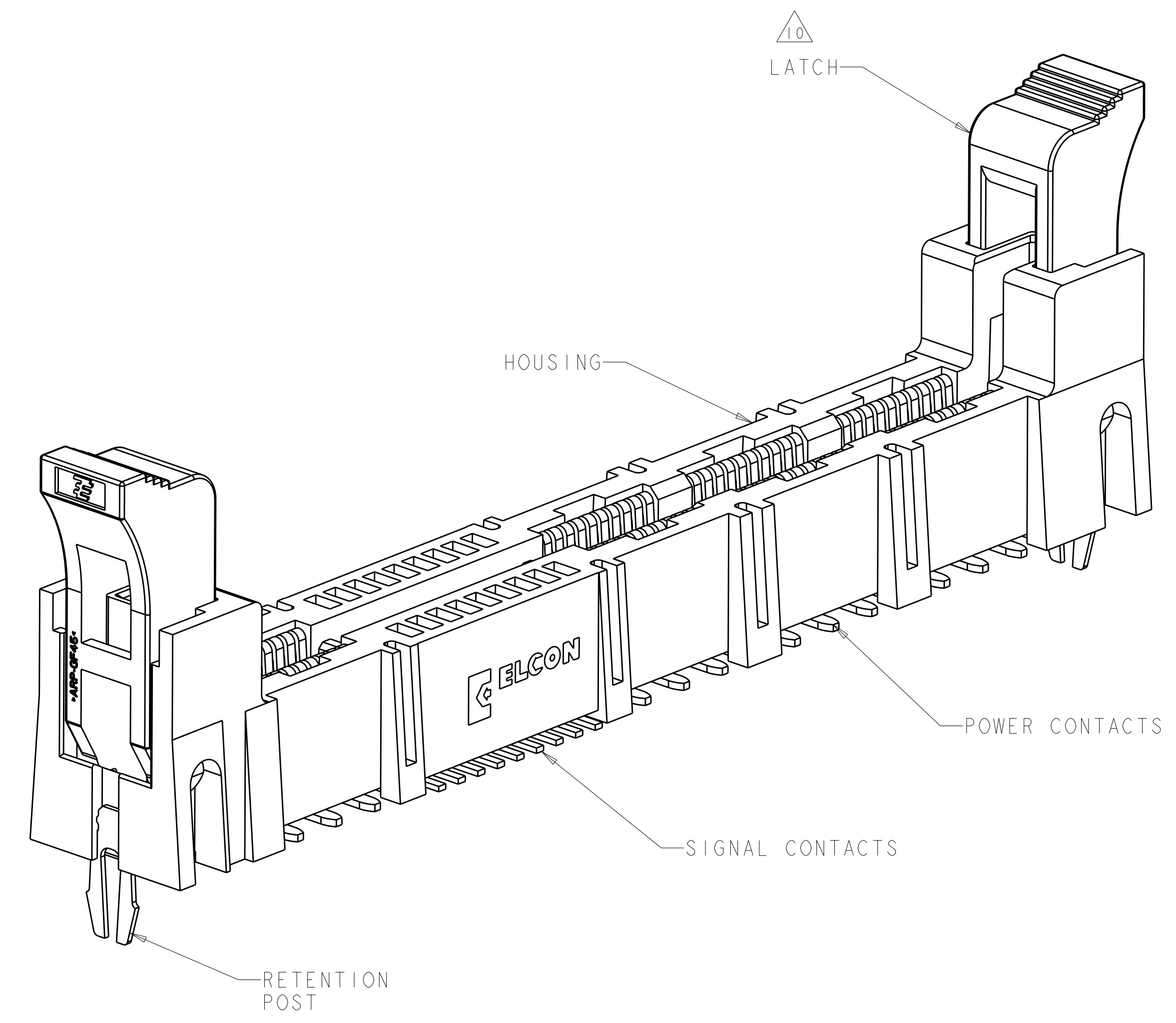


LOC	DIST	REVISIONS			
REV	LTG	DESCRIPTION	DATE	DWN	APVD
A		RELEASED	11 JAN 2010	RG	MS
B		REV PER ECO-10-000671	12 JAN 2010	RG	MS

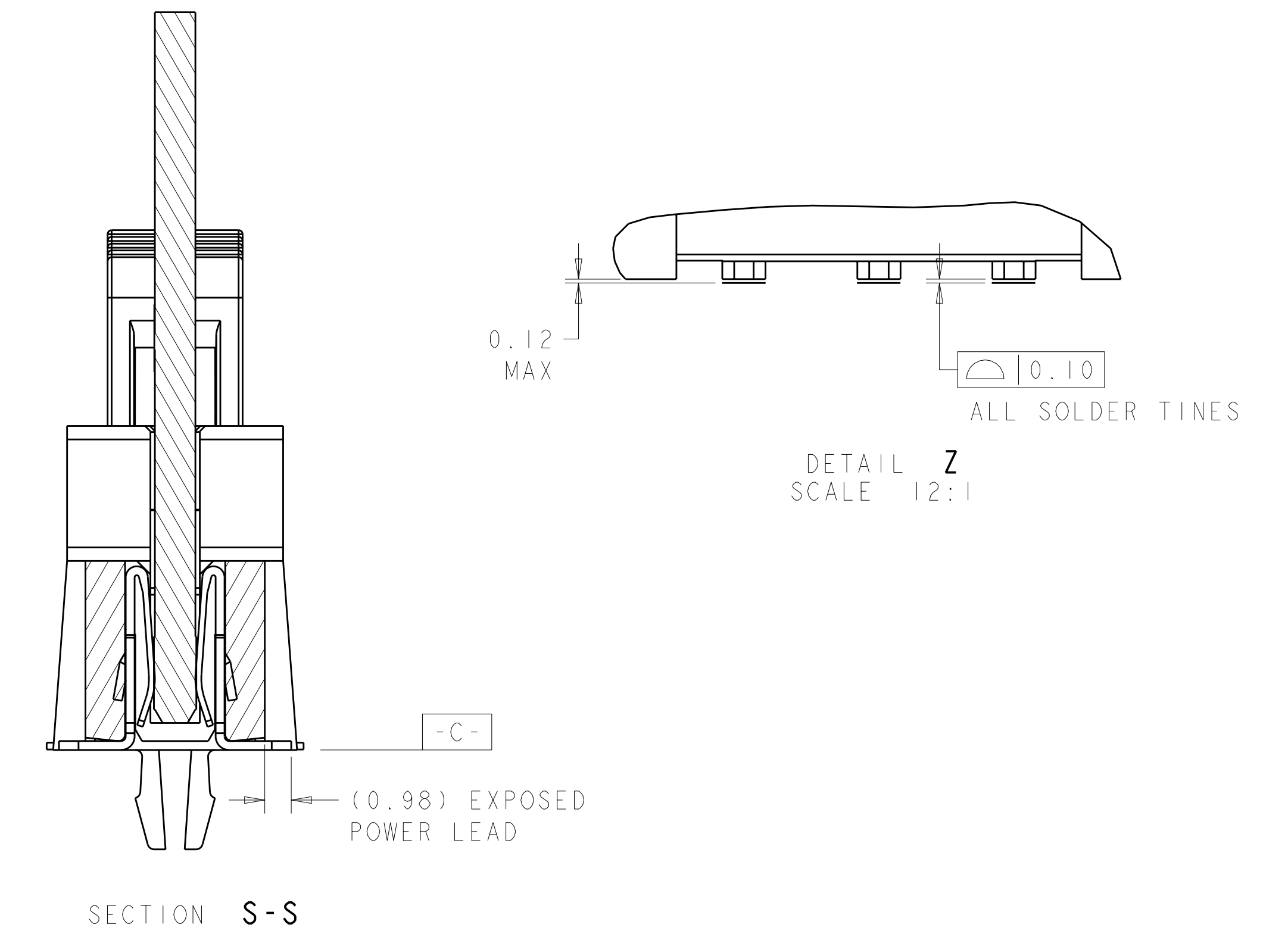
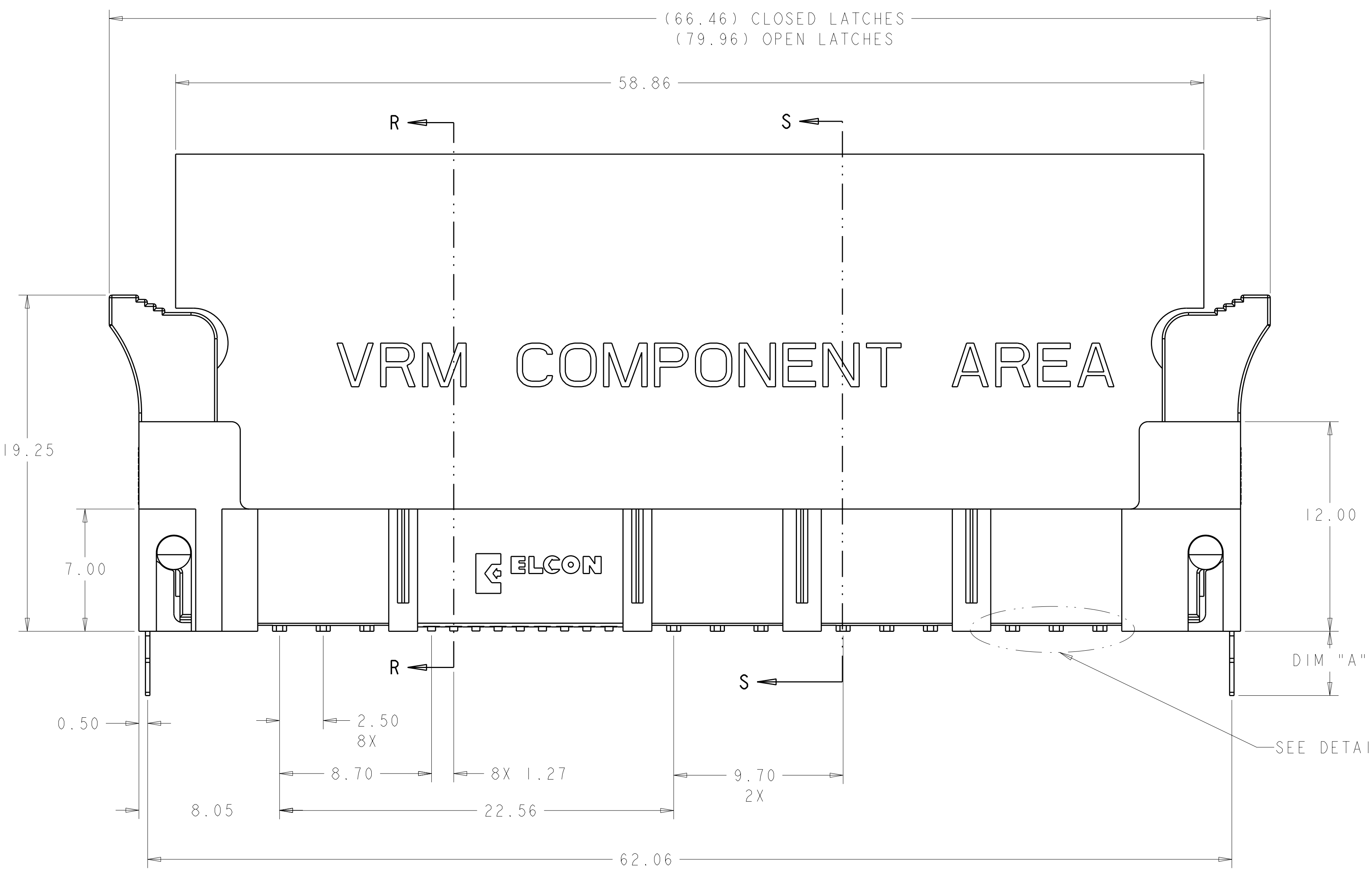
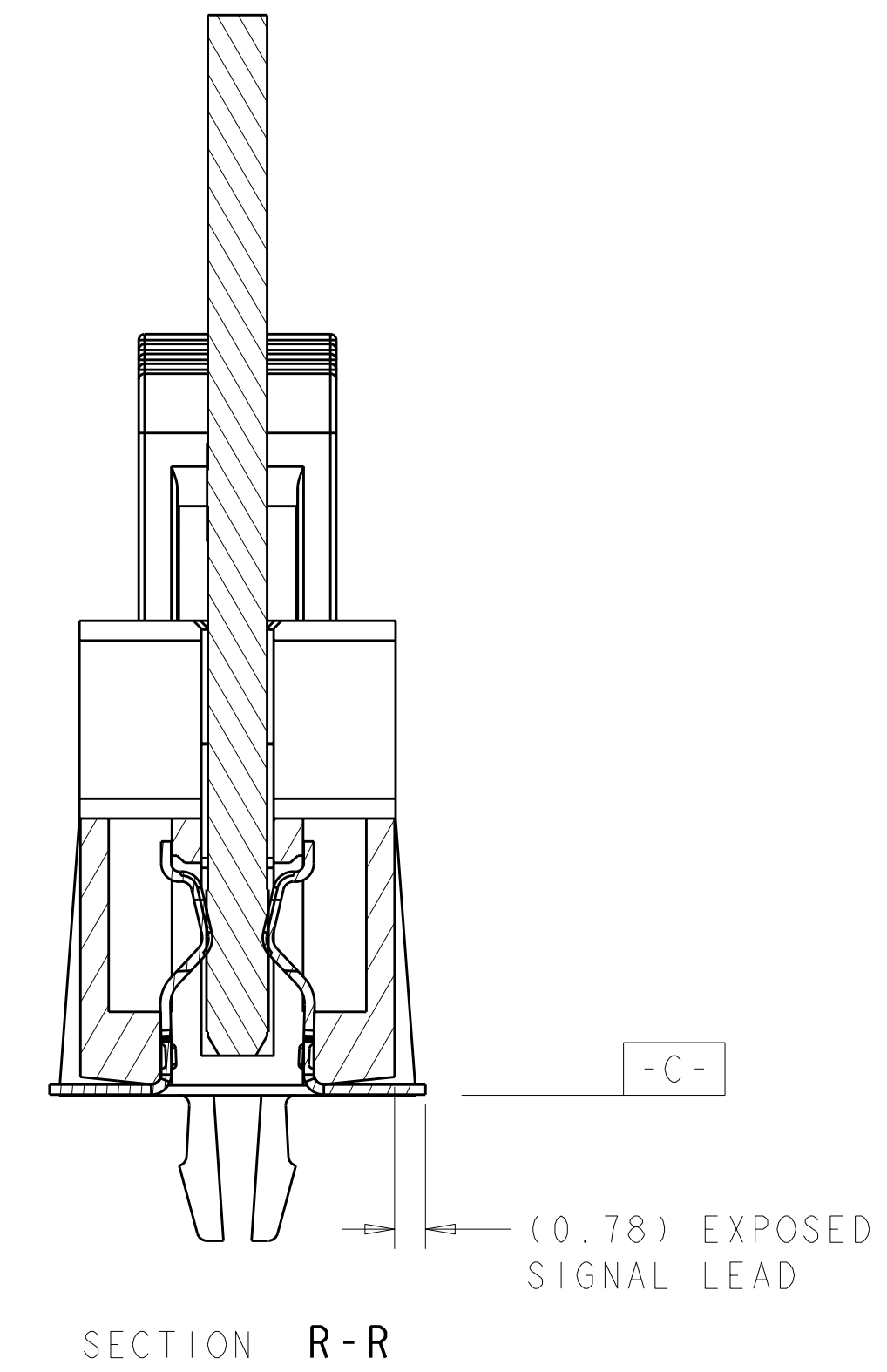
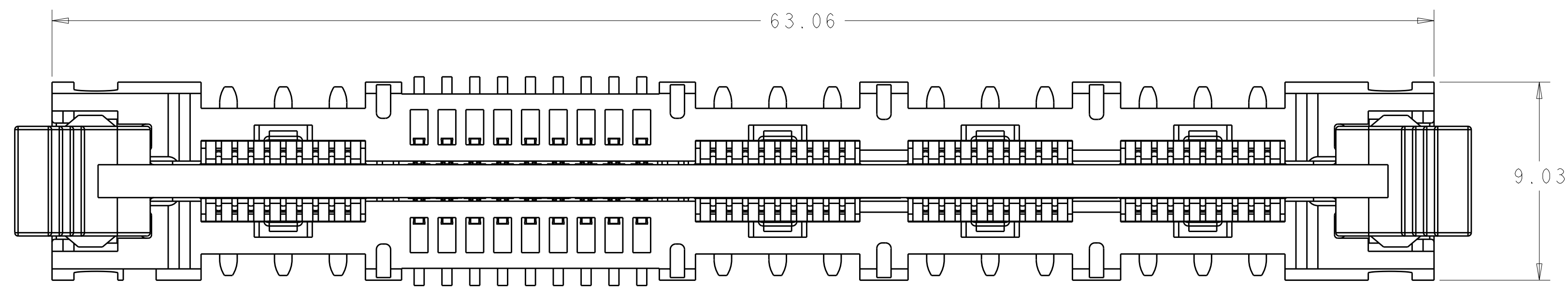


- PART NUMBER CHANGES AND OR DESIGN CHANGES AFFECTING ITEM INTERCHANGEABILITY REQUIRE PRIOR TYCO ELECTRONICS APPROVAL AND AUTHORIZATION BY REVISION TO THIS DRAWING.
- MATERIAL:
 HOUSING: GLASS FILLED POLYESTER, COLOR-BLACK
 UL94V-0 FLAMMABILITY RATED
 LATCHES: THERMOPLASTIC, GLASS REINFORCED
 COLOR: BLACK, UL94V-0 FLAMMABILITY RATED
 CONTACTS: COPPER ALLOY
 RETENTION POST: COPPER ALLOY
- FINISH:
 SIGNAL CONTACTS:
 MATING AREA-0.76µm MIN GOLD OVER 3.81µm MIN NICKEL
 0.64µm MIN NICKEL PLATE OVER REMAINDER
 SMT TAILS-3.81µm MIN MATTE TIN OVER NICKEL PLATE
 POWER CONTACTS:
 1.27µm MIN NICKEL PLATE ALL OVER
 MATING AREA-0.76µm MIN GOLD OVER NICKEL PLATE
 SMT TAILS-3.05µm MIN TIN OVER NICKEL PLATE
 RETENTION POSTS:
 3.05µm MIN MATTE TIN OVER 0.63µm MIN NICKEL
- ITEMS PROVIDED TO THIS SPECIFICATION TO BE PERMANENTLY IDENTIFIED WITH PART NUMBER AND DATE CODE.
- MAXIMUM BURR OF 0.013 ON CARD TAB AREA.
- SET TRACE BACK FROM PC BOARD EDGE. NO SOLDERMASK ALLOWED BETWEEN PC BOARD EDGE AND TRACE.
- CONNECTOR ACCEPTS 1.57±0.13 THICK PC BOARD.
- KEEP OUT AREA FOR COMPONENTS ONLY.
- FEATURE REQUIRED FOR USE WITH EJECTOR.
- CAUTION:
 LATCHES ARE INTENDED FOR RETENTION OF PC BOARD TO CONNECTOR. DO NOT ATTEMPT TO FULLY EJECT PC BOARD FROM CONNECTOR WHILE DISENGAGING LATCHES, DAMAGE TO LATCHES AND OR CONNECTOR MAY OCCUR.
- RECOMMENDED GOLD FINGER LENGTH FOR RELIABLE CONTACT.
- DATUMS AND BASIC DIMENSIONS ESTABLISHED BY CUSTOMER.
- FOR DESIGN OBJECTIVES SEE 108-2301.

GF 30	2.92-3.55	5.24	2085197-8
	2.29-2.92	4.61	2085197-7
	1.57-2.29	4.19	2085197-6
	≤ 1.57	3.68	2085197-5
GF 45	2.92-3.55	5.24	2085197-4
	2.29-2.92	4.61	2085197-3
	1.57-2.29	4.19	2085197-2
	≤ 1.57	3.68	2085197-1
MATERIAL $\triangle 2$	BOARD THICKNESS RANGE	DIM "A"	PART NUMBER

DIMENSIONS: mm 		TOLERANCES UNLESS OTHERWISE SPECIFIED: 0 PLC ±.5 1 PLC ±.25 2 PLC ±.25 3 PLC ±.25 4 PLC ±.25 ANGLES #2 FINISH #3		DWN R. GRZYBOWSKI 20MAR2009 CHK R. LONDON 20MAR2009 APVD M. PERCHERIE 20MAR2009		Tyco Electronics Harrisburg, PA 17105-3608	
MATERIAL $\triangle 2$		FINISH #3		NAME SOCKET CONNECTOR ASSEMBLY W/ LATCH, SMT, 1P-18S-3P MINI CROWN EDGE PRODUCT SPEC APPLICATION SPEC		SIZE CAGE CODE DRAWING NO RESTRICTED TO A100779C=2085197	
CUSTOMER DRAWING				SCALE 5:1		SHEET 1 OF 4 REV B	

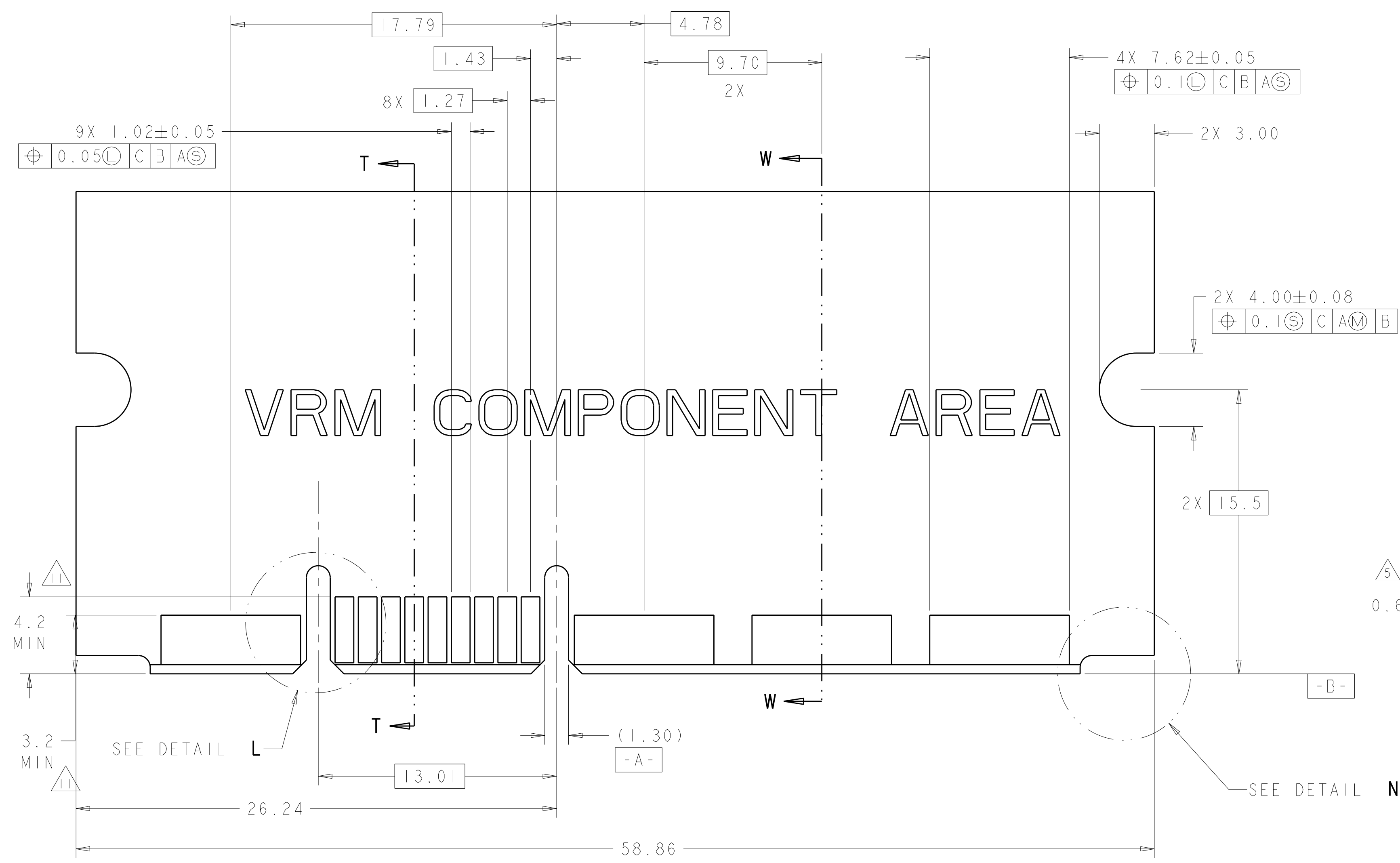
LOC	DIST	REV	DATE	BY	APPD
GP	00				
		DESCRIPTION	DATE	DWN	APVD
		SEE SHEET 1			



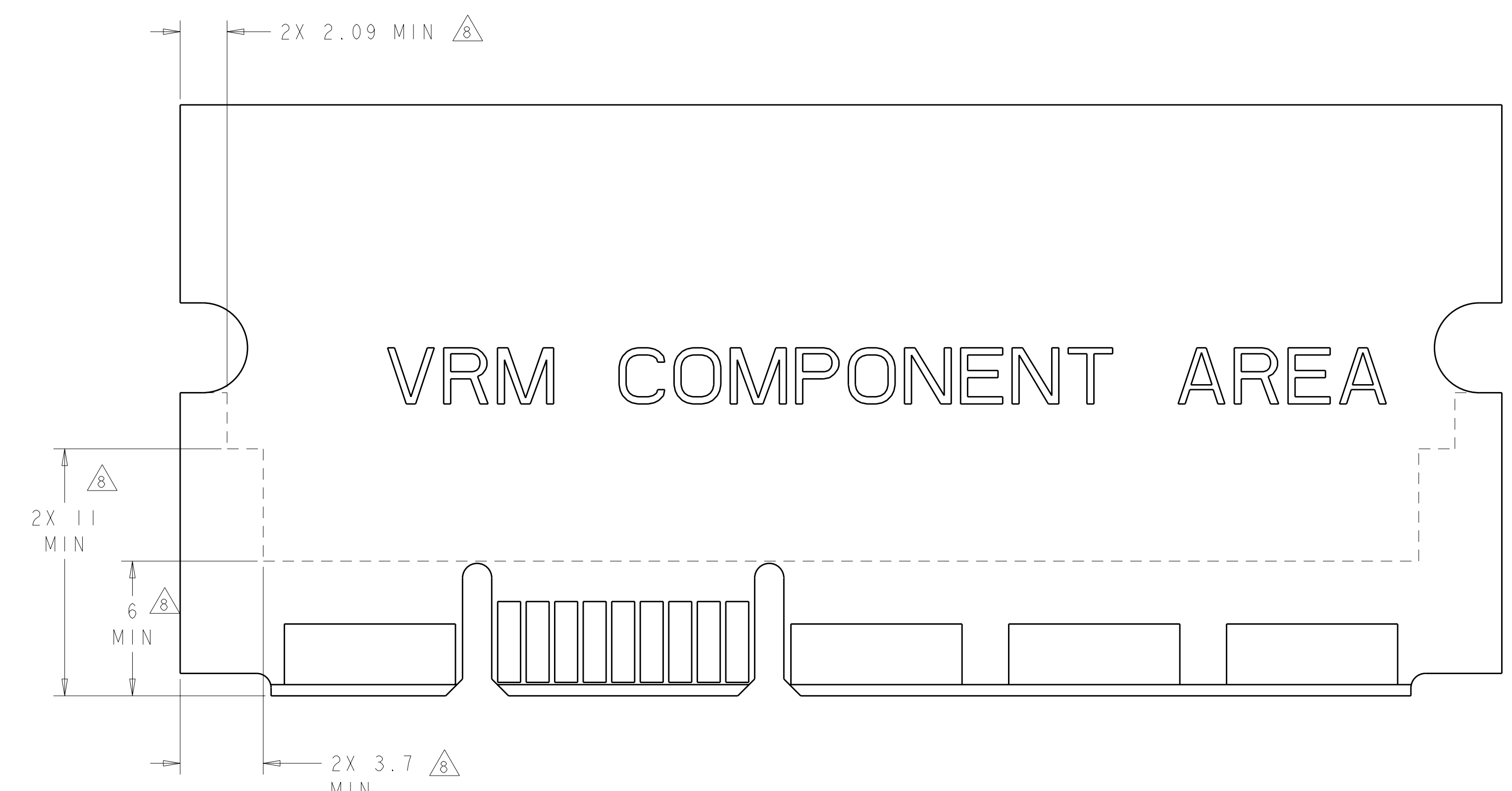
DIMENSIONS: mm 		TOLERANCES UNLESS OTHERWISE SPECIFIED: 9 PLC ±.5 1 PLC ±.5 5 PLC ±.25 4 PLC ±.5 ANGLES ±.2 FINISH		DWN R. GRZYBOWSKI 20MAR2009 CHK R. LONDON 20MAR2009 APVD M. PERCHERIE 20MAR2009 PRODUCT SPEC APPLICATION SPEC WEIGHT CUSTOMER DRAWING		Tyco Electronics Harrisburg, PA 17105-3608 NAME SOCKET CONNECTOR ASSEMBLY W/ LATCH, SMT, 1P-18S-3P MINI CROWN EDGE SIZE CAGE CODE DRAWING NO. RESTRICTED TO A1100779C=2085197 SCALE 5:1 SHEET 2 OF 4 REV B	
-----------------------	--	---	--	---	--	---	--

LOC	DIST	REV	DATE	BY	APPD
GP	00				

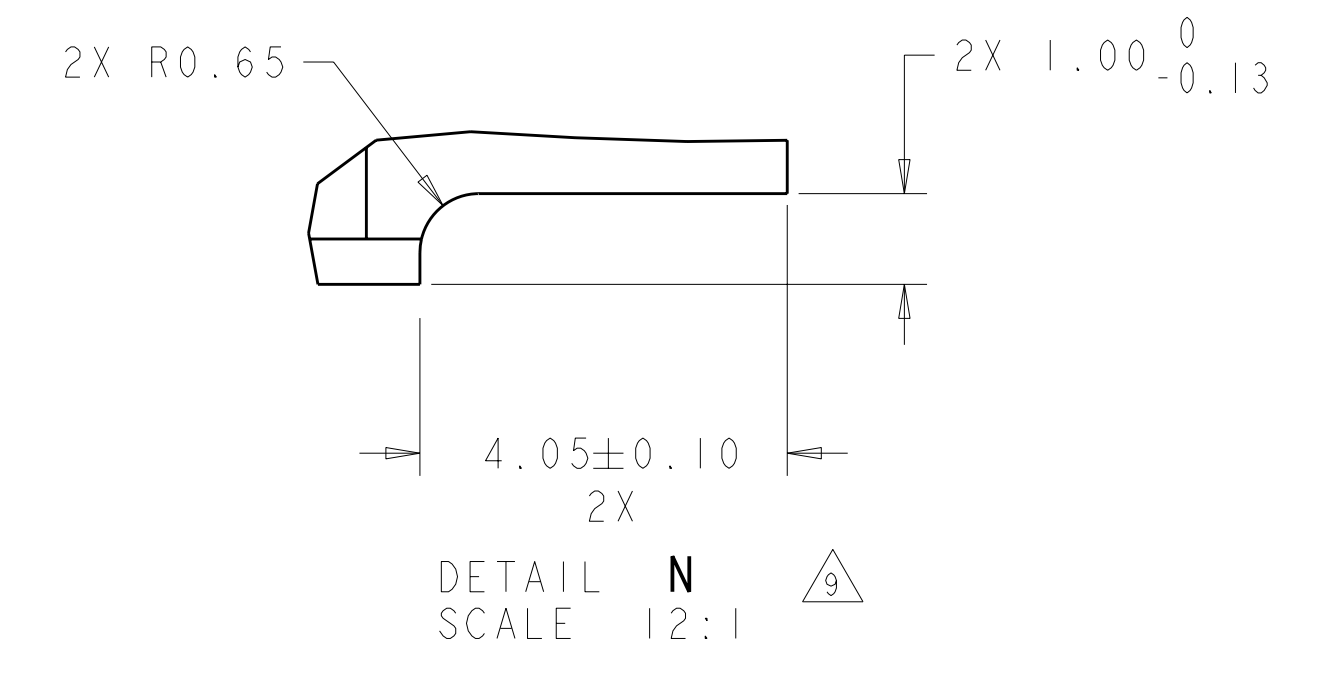
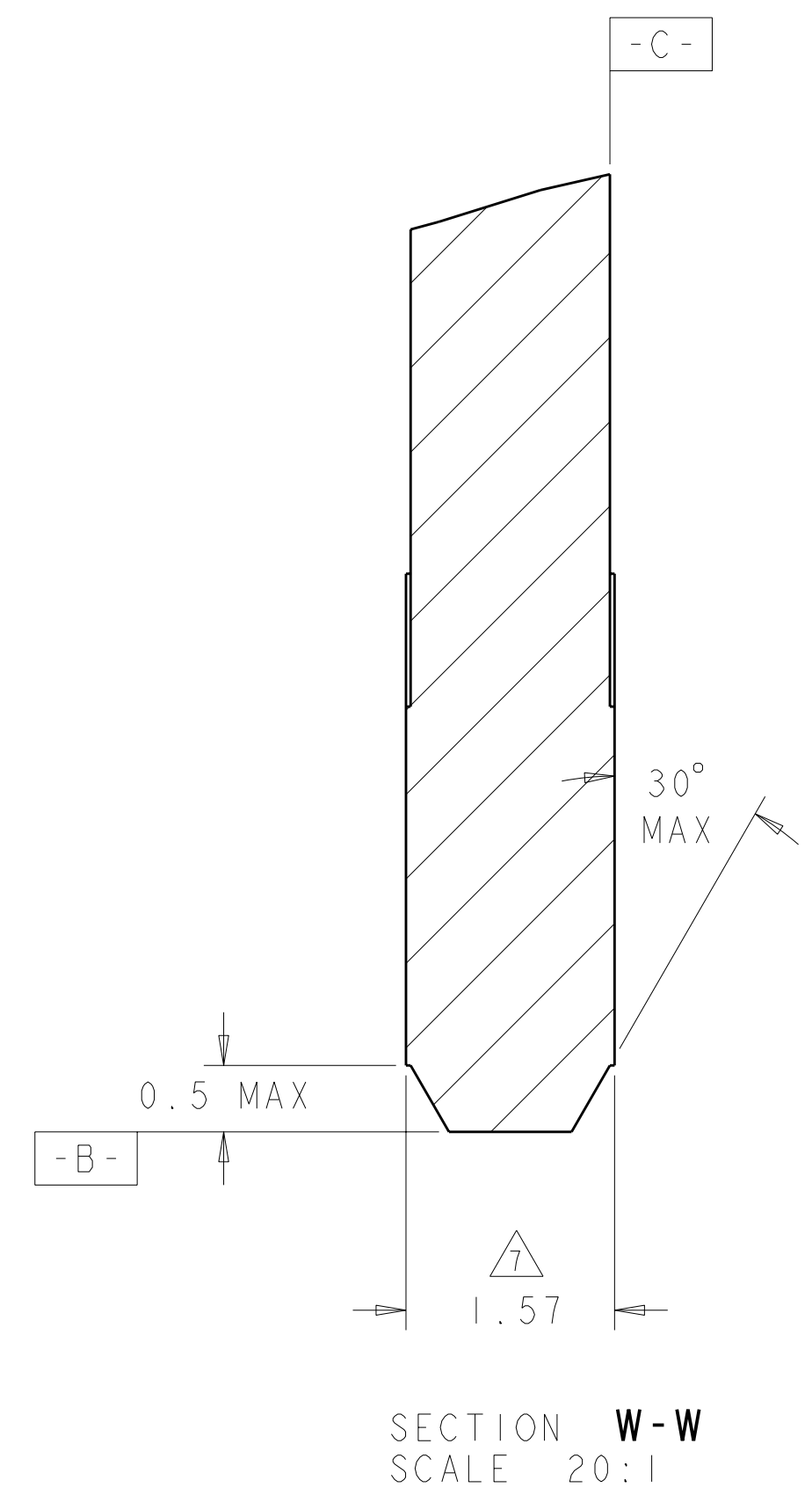
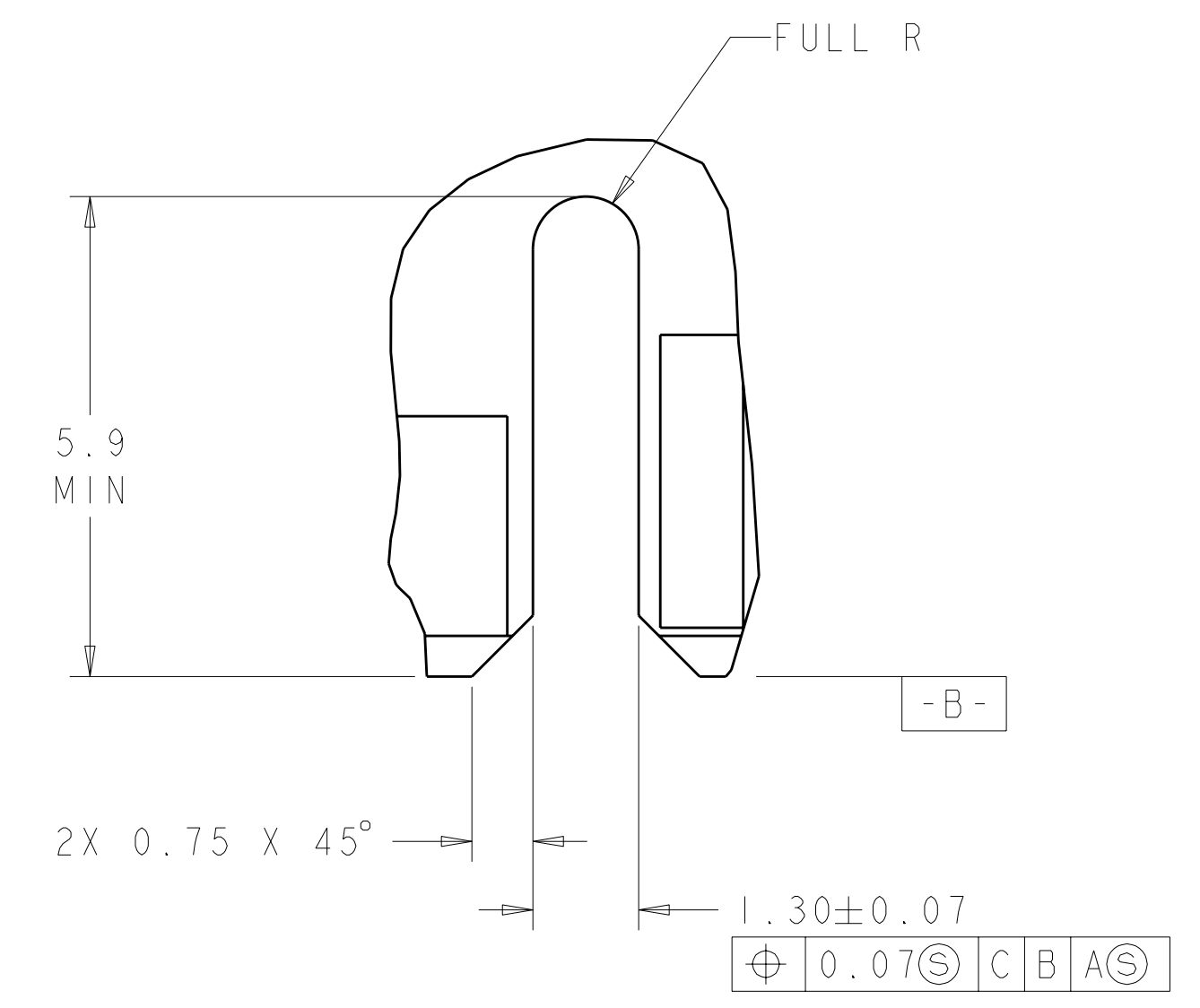
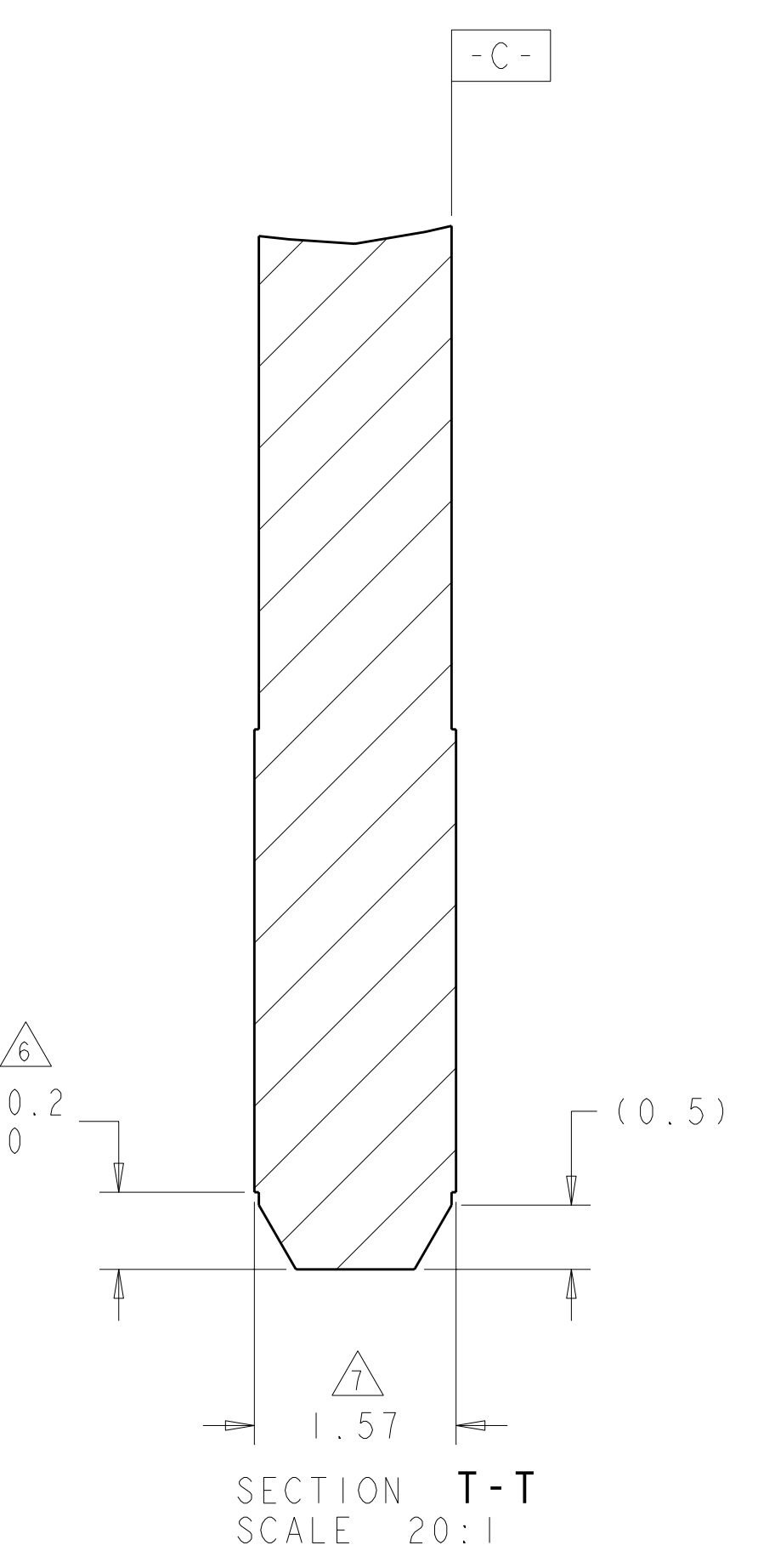
REVISIONS		
NO.	DESCRIPTION	DATE
1	SEE SHEET 1	



RECOMMENDED MATING BOARD
SCALE 4:1

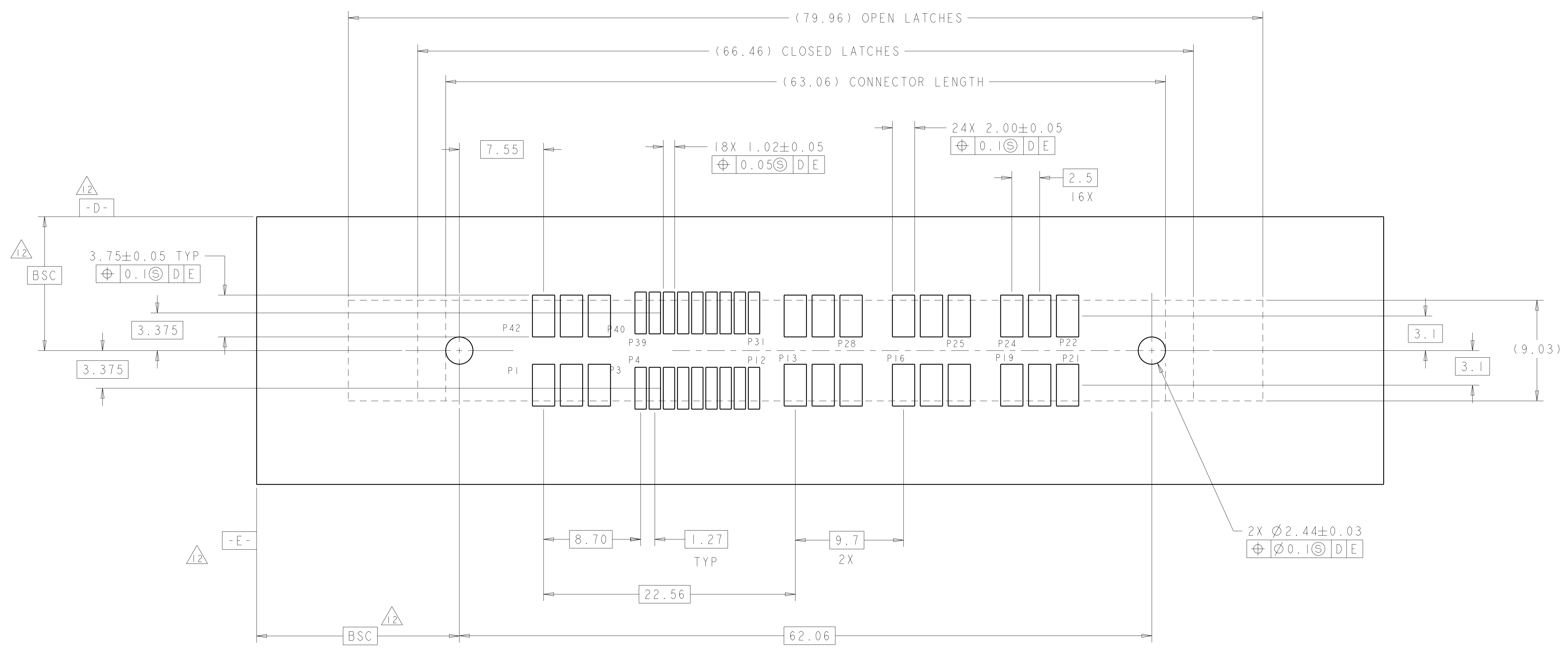


RECOMMENDED PC BOARD KEEP OUT AREA
SCALE 4:1



DIMENSIONS: mm		TOLERANCES UNLESS OTHERWISE SPECIFIED: 9 PLC ±.5 1 PLC ±.5 2 PLC ±.25 3 PLC ±.25 4 PLC ±.25 ANGLES ±.2 FINISH #2		DWN R. GRZYBOWSKI 20MAR2009 CHK R. LONDON 20MAR2009 APVD M. PERCHERIE 20MAR2009		Tyco Electronics Harrisburg, PA 17105-3608	
MATERIAL: -		FINISH: -		NAME: SOCKET CONNECTOR ASSEMBLY W/ LATCH, SMT, 1P-18S-3P MINI CROWN EDGE		SIZE: A100779 C=2085197	
CUSTOMER DRAWING		SCALE: 5:1		SHEET: 3 OF 4		REV: B	

LOC	DIST	REV	DATE	BY	APPD
GP	00				
DESCRIPTION			DATE	DWN	APPD
SEE SHEET 1					



RECOMMENDED SOLDER LAND GUIDELINE
 AS VIEWED FROM CONNECTOR SIDE
 SCALE 5:1

DIMENSIONS: mm 		TOLERANCES UNLESS OTHERWISE SPECIFIED: 9 PLC ±.5 1 PLC ±.5 5 PLC ±.25 4 PLC ±. ANGLES ±. FINISH #2		DWN R. GRZYBOWSKI 20MAR2009 CHK R. LONDON 20MAR2009 APVD M. PERCHERIE 20MAR2009		Tyco Electronics Harrisburg, PA 17105-3608	
MATERIAL - FINISH -		WEIGHT - CUSTOMER DRAWING		NAME SOCKET CONNECTOR ASSEMBLY W/ LATCH, SMT, 1P-18S-3P MINI CROWN EDGE SIZE CAGE CODE DRAWING NO. RESTRICTED TO A1100779C=2085197		SCALE 5:1 SHEET 4 OF 4 REV B	