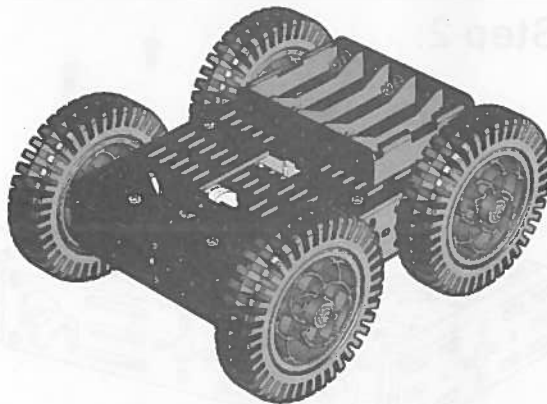
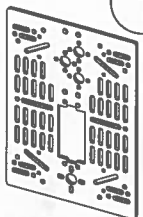
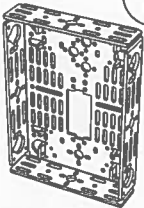
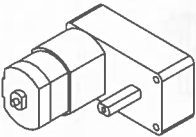
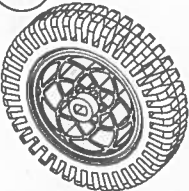
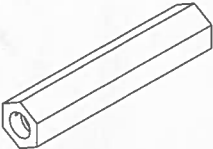
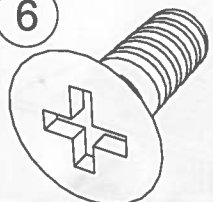
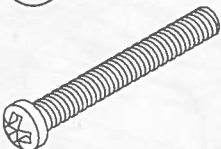
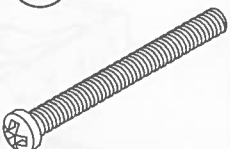
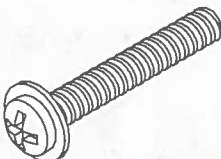
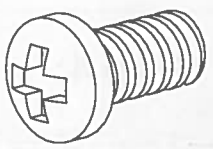


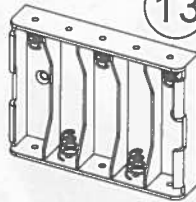
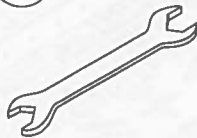
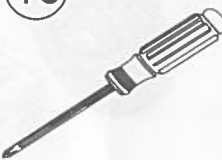


# DG012-ATV Multi chassis\_4WD kit (ATV version)

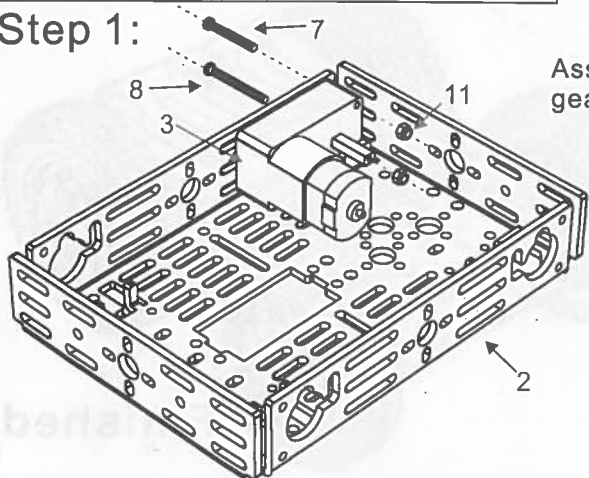


## Parts list:

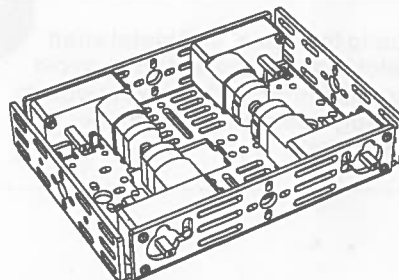
|  |  |   |   |   |
|--|--|---|---|---|
|  <p>1<br/>Aluminum chassis top 1pc</p>   |  <p>2<br/>Aluminum chassis bottom 1pc</p> |  <p>3<br/>DC motor 4pcs</p>              |  <p>4<br/>Racing wheel 4pcs</p>                                |  <p>5<br/>Distance holder M3*25 4pcs</p> |
|  <p>6<br/>M3*8 flat-head screw 6pcs</p> |  <p>7<br/>M2.5*20 screw 4pcs</p>         |  <p>8<br/>M2.5*25 screw 4pcs</p>        |  <p>9<br/>M3*22 screw with flange 4pcs</p>                    |  <p>10<br/>M3*8 screw 8pcs</p>          |
|  <p>11<br/>M2.5 nylon nut 8pcs</p>     |  <p>12<br/>M3 nut 2pcs</p>              |  <p>13<br/>5*AA battery holder 1pc</p> |  <p>14<br/>Spanner (M2.5 &amp; M4) 1pc (M2 &amp; M3) 1pc</p> |  <p>15<br/>Screw driver 1pc</p>        |

## Assembly Instructions:

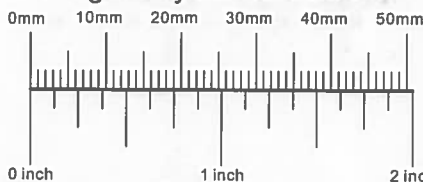
### Step 1:



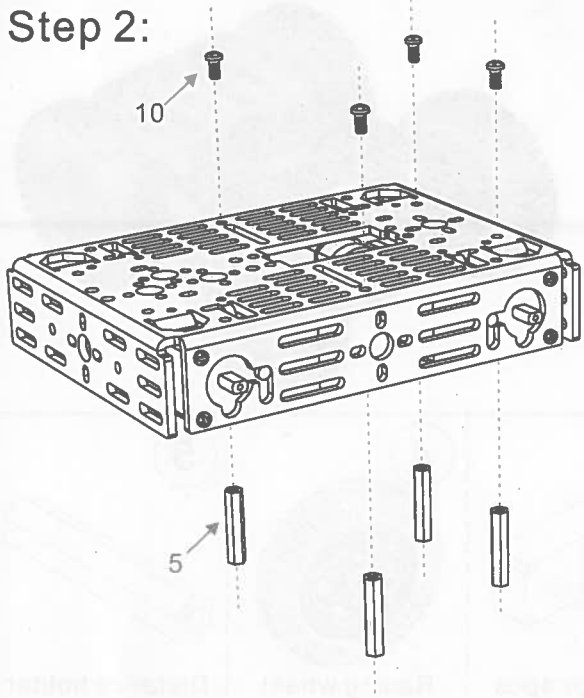
Assembly the gear box 4pcs



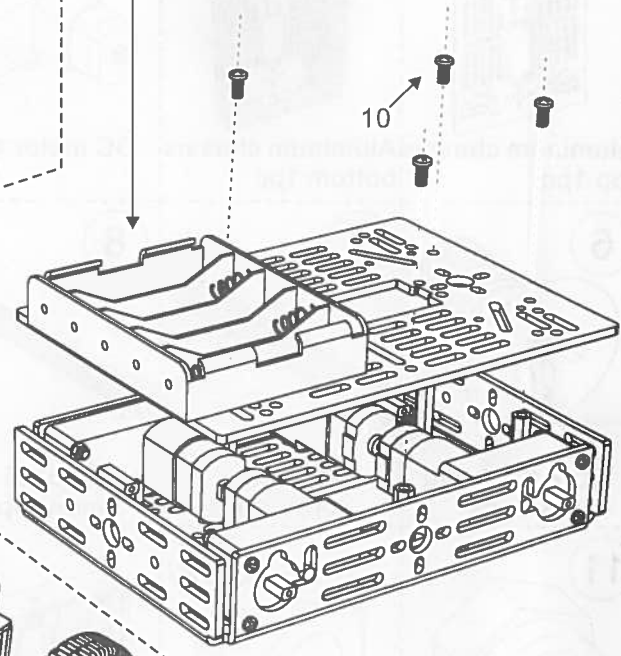
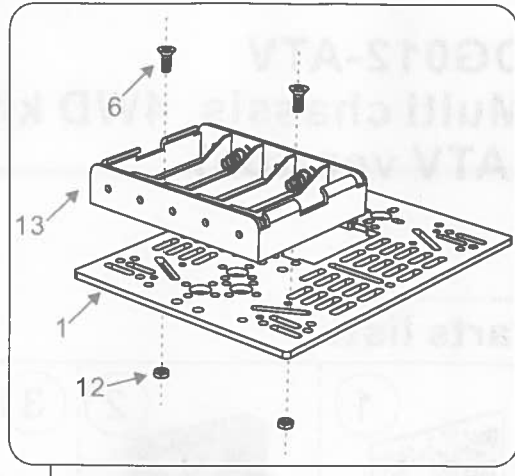
Use the ruler to check the length of your screws .



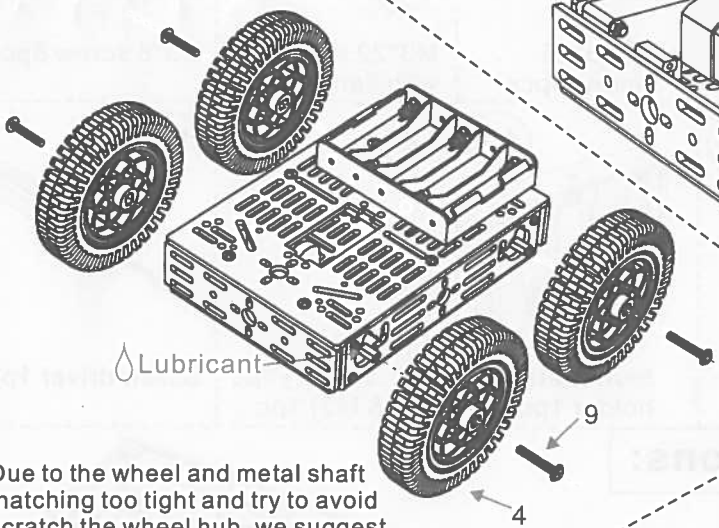
### Step 2:



### Step 3:

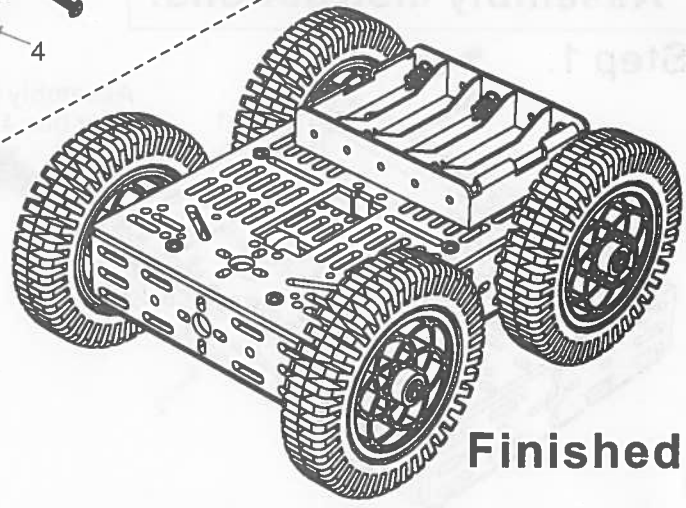


### Step 4:



Lubricant

Due to the wheel and metal shaft matching too tight and try to avoid scratch the wheel hub, we suggest to apply some lubricate on the metal shaft.



**Finished**

Use the ruler to check the length of your screws .

