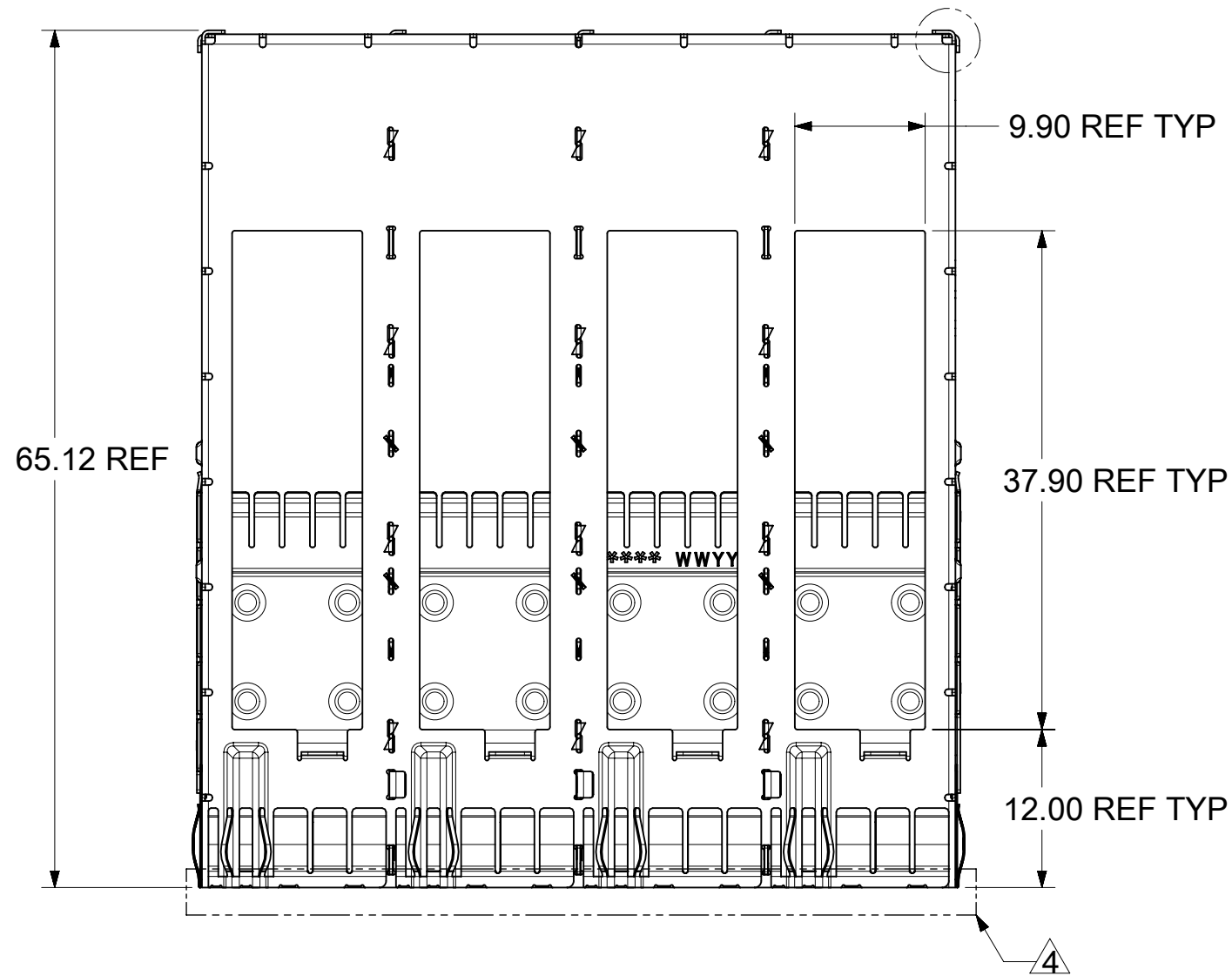
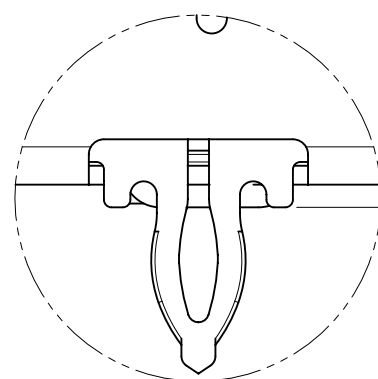
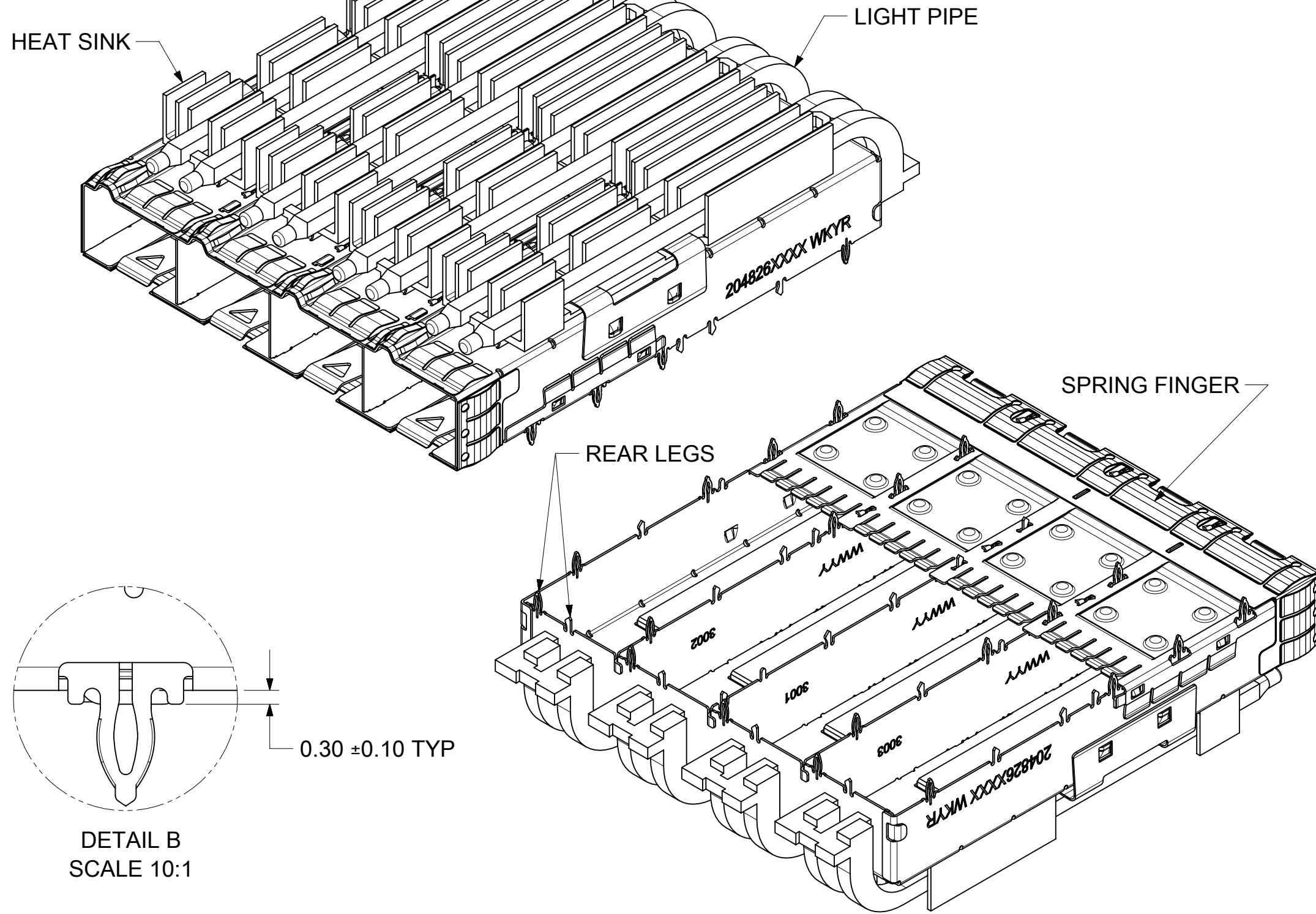


(HEAT SINK / LIGHT PIPE / CLIP NOT SHOWN FOR CLARITY)

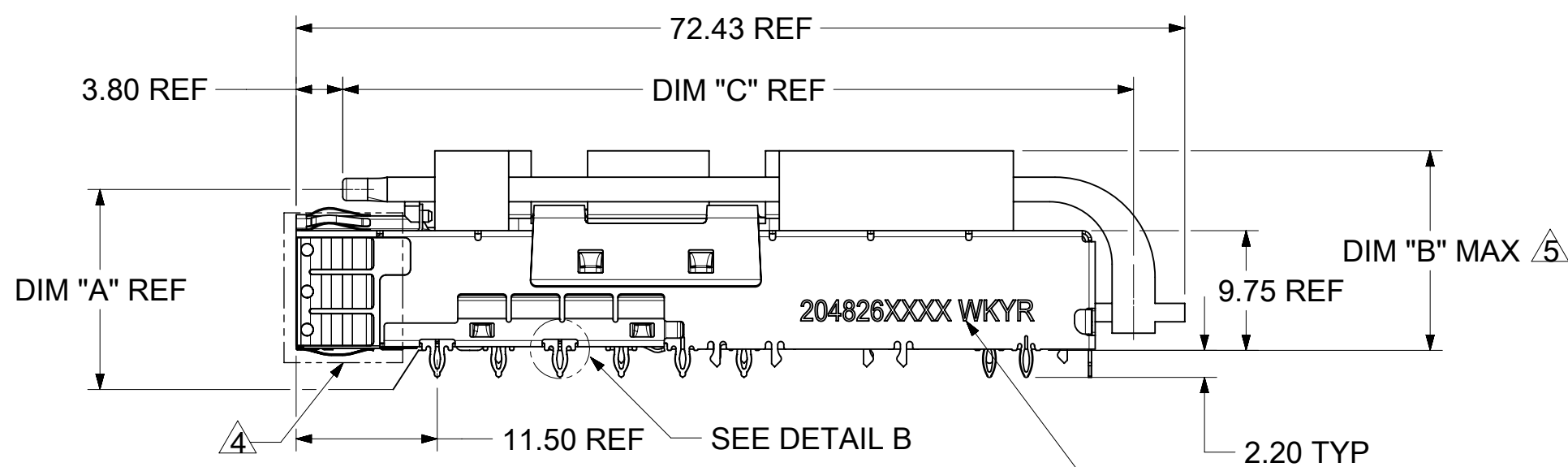
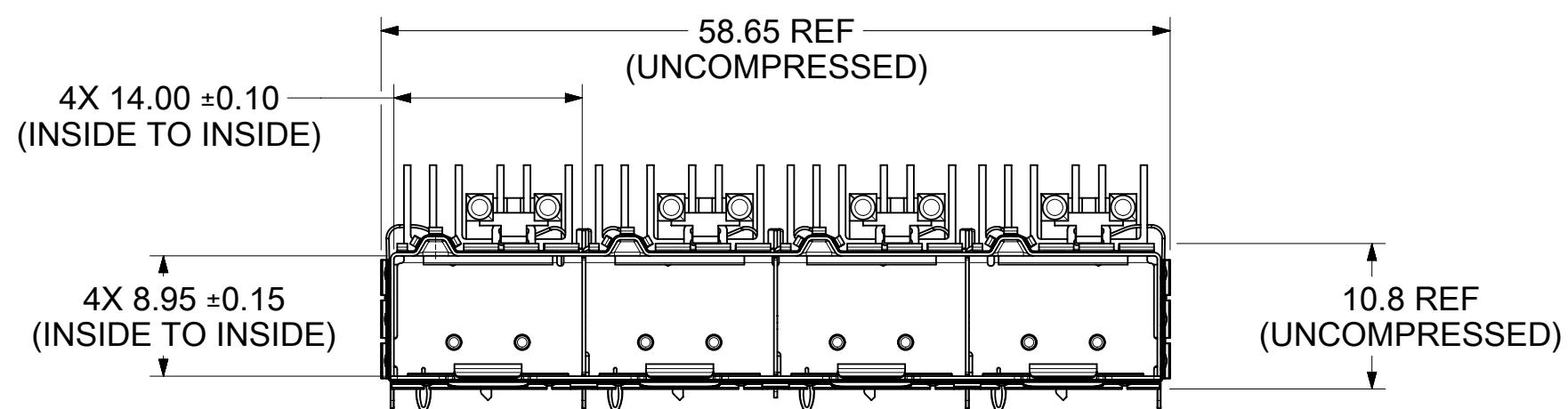


2048266209

SHOWN



DETAIL B SCALE 10:1



PART NO. AND WEEK/YEAR DATE CODE TO BE PRINTED OR LASERED ON THE SIDE OF COMPLETED CAGE ASSEMBLY APPROXIMATELY AS SHOWN

WEEK/YEAR DATE CODE TABLE	
WK	01 THRU 52 OR 53 EXAMPLE: 01 = FIRST WEEK OF YEAR 52 = LAST WEEK OF YEAR
YR	21, 22, 23 ETC. EXAMPLE: YEAR 2021 = 21

NOTES:

- MATERIAL:
CAGE: 0.25mm THICKNESS, STAINLESS STEEL.
FRONT SPRING FINGERS: 0.1mm THICK COPPER ALLOY, NICKEL PLATED.
HEATSINK: ALUMINUM, BLACK ANODIZATION
HEATSINK CLIP: STAINLESS STEEL
LIGHTPIPE: POLYCARBONATE
- PRESS FIT LEGS 2.2mm LONG:
- PORTS ARE DESIGNED FOR SFP-DD TRANSCEIVERS
THE TOP SURFACE OF THE MODULE MUST BE FLAT (NO PRODUCT LABEL RECESS) AND THERMALLY CONDUCTIVE TO OPTIMAL FUNCTION.
- WELD SPOTS WILL SHOW SLIGHT MATERIAL DISCOLORATION.
- HEIGHT OF HEAT SINK WITH MODULE INSERTED.
DIMENSION MAY BE LESS DUE TO MODULE AND HEAT SINK VARIATIONS
- NO RoHS EXEMPTIONS.

FUNCTIONAL SYMBOLS	THIS DRAWING CONTAINS INFORMATION THAT IS PROPRIETARY TO MOLEX ELECTRONIC TECHNOLOGIES, LLC AND SHOULD NOT BE USED WITHOUT WRITTEN PERMISSION		CURRENT REV DESC:	
	GENERAL TOLERANCES (UNLESS SPECIFIED)	SCALE	EC NO: 667528	
ANGULAR TOL	± 2.0°	mm	2:1	DRWN: SMALLESHPA 2021/04/28
4 PLACES	±	INITIAL REVISION:		CHK'D: DKUMARG 2021/06/18
3 PLACES	±	DRWN: DSUN15 2018/10/03		APPR: JCHIANG 2021/06/22
2 PLACES	± 0.13	DRWN: DSUN15 2018/10/03		APPR: RCHEN08 2018/11/19
1 PLACE	± 0.25	DRAFT WHERE APPLICABLE MUST REMAIN WITHIN DIMENSIONS		THIRD ANGLE PROJECTION
0 PLACES	±	DRAWING		SERIES
DRAWING		C-SIZE		204826
DOCUMENT NUMBER		CUSTOMER		SHEET NUMBER
2048266209		SEE SHEET 2 & 3		1 OF 9

molex

SFP-DD 1X4 CAGE ASSY, SF TYPE
TRAPEZOID DR W/ HEAT SINK AND LIGHT PIPE
OPTIONS

PRODUCT CUSTOMER DRAWING

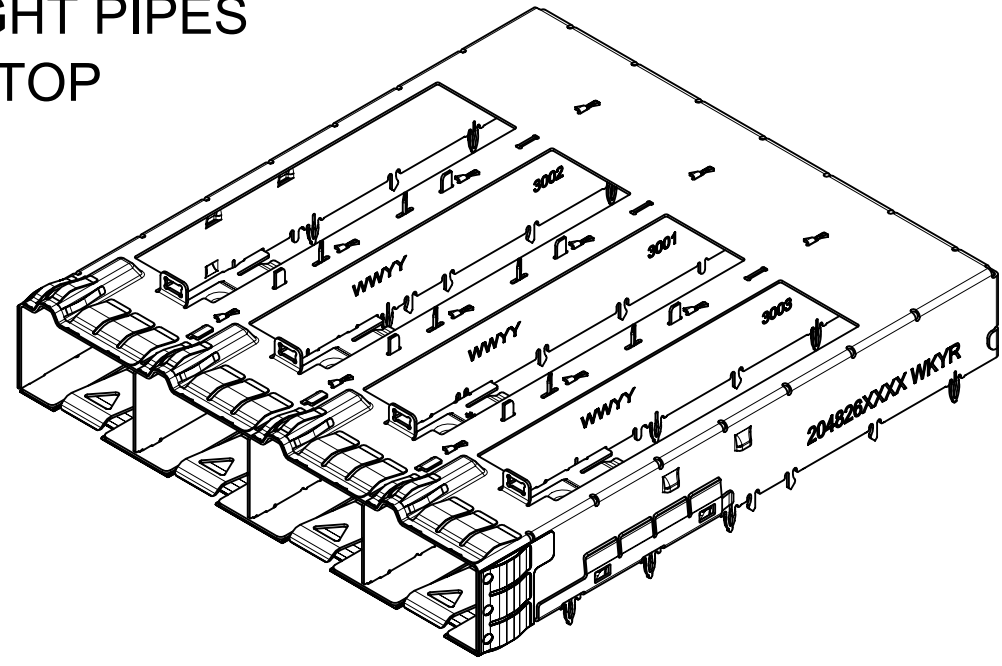
DOCUMENT NUMBER DOC TYPE DOC PART REVISION

2048266209 PSD ASY E

MATERIAL NUMBER CUSTOMER

SEE SHEET 2 & 3

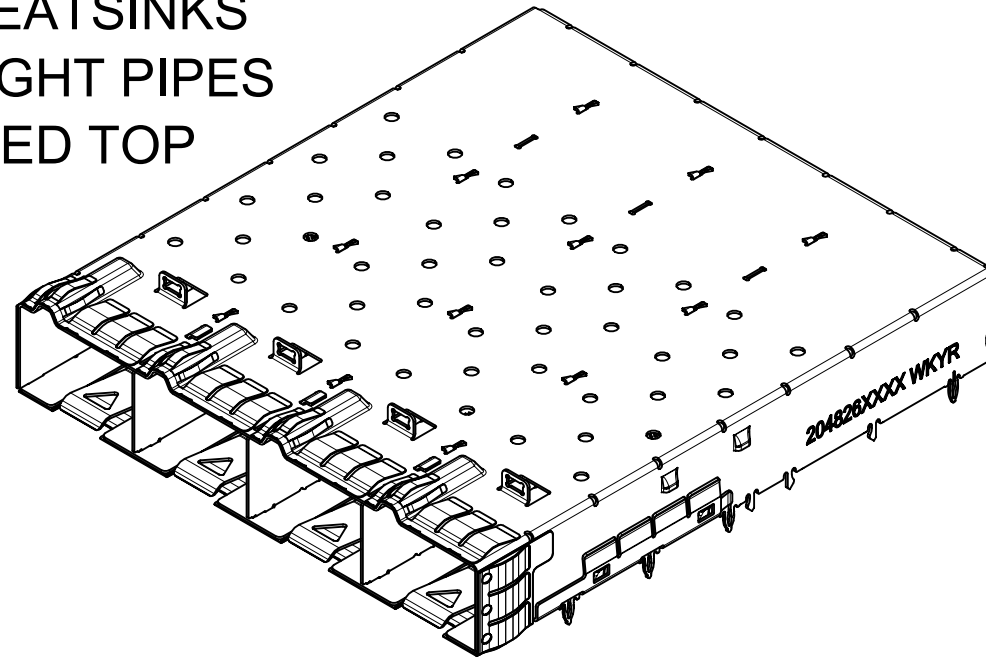
NO HEATSINKS
NO LIGHT PIPES
OPEN TOP



MOLEX P/N	#OF REAR LEGS PER PORT	CAGE BASE TYPE
2048264002	2	RAISE

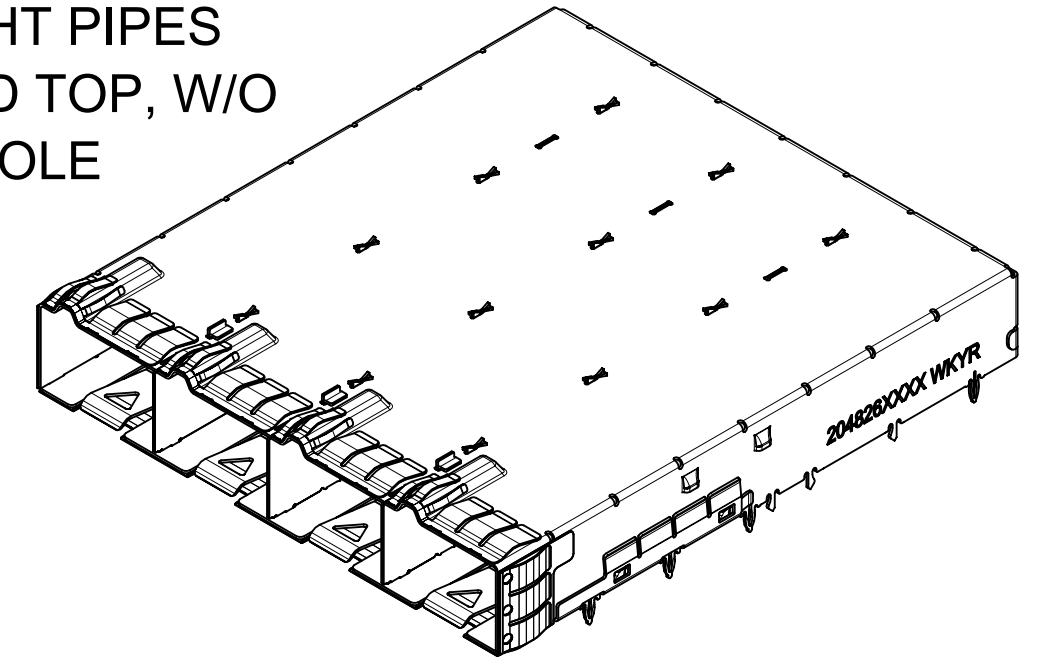
PART NUMBER SELECTION

NO HEATSINKS
NO LIGHT PIPES
CLOSED TOP



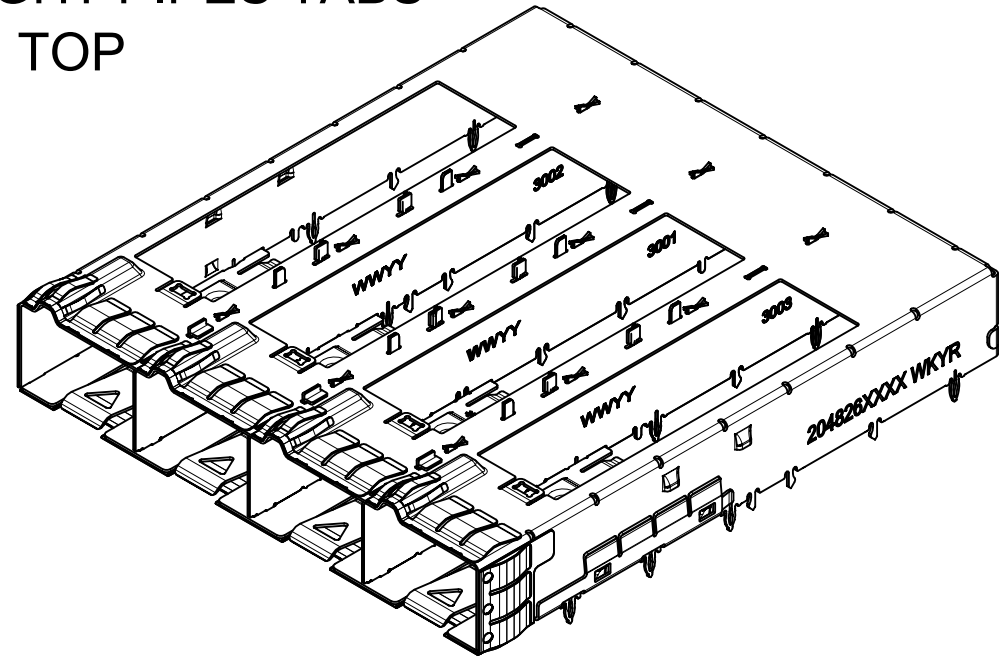
MOLEX P/N	#OF REAR LEGS PER PORT
2048265004	2

NO HEATSINKS
NO LIGHT PIPES
CLOSED TOP, W/O
VENT HOLE



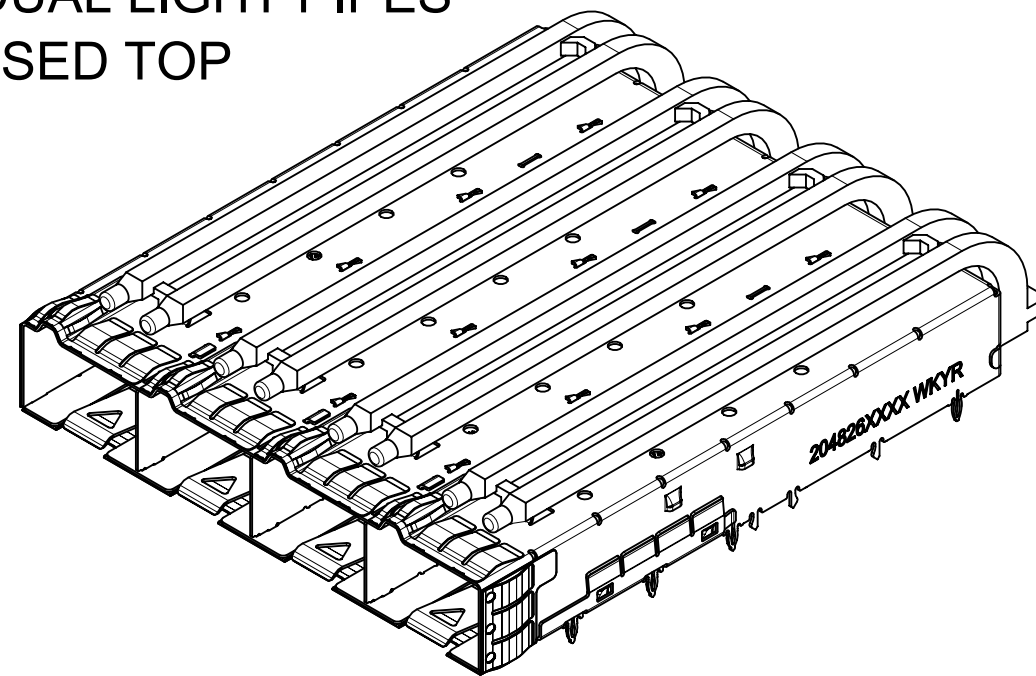
MOLEX P/N	#OF REAR LEGS PER PORT
2048265010	2

NO HEATSINKS
NO LIGHT PIPES TABS
OPEN TOP



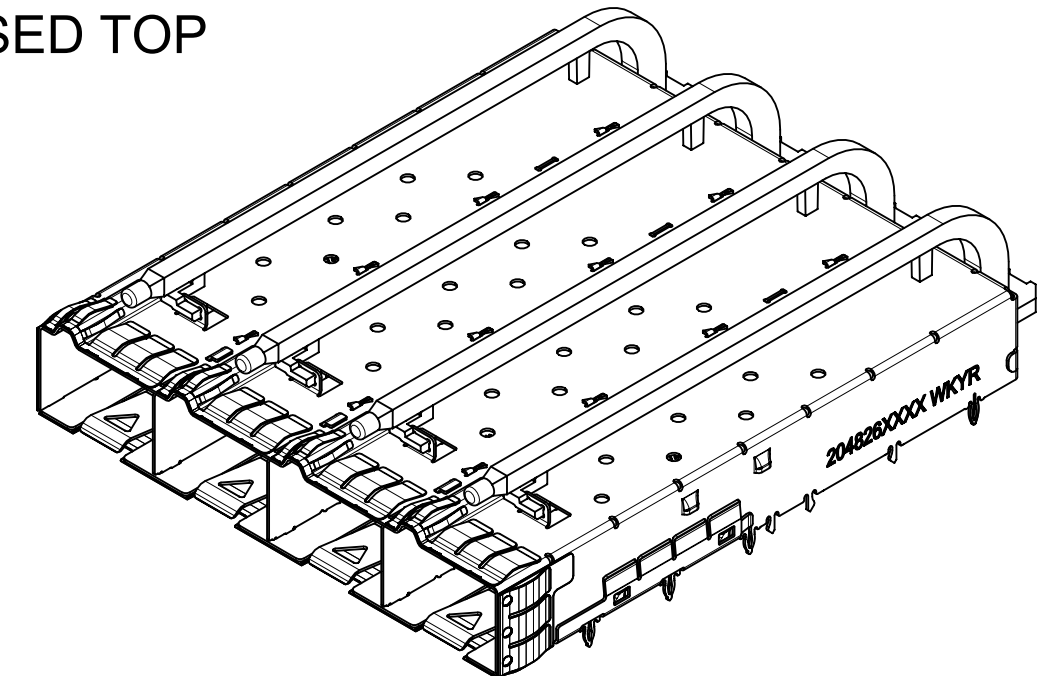
MOLEX P/N	#OF REAR LEGS PER PORT	CAGE BASE TYPE
2048264003	2	RAISE

NO HEATSINKS
W/ DUAL LIGHT PIPES
CLOSED TOP



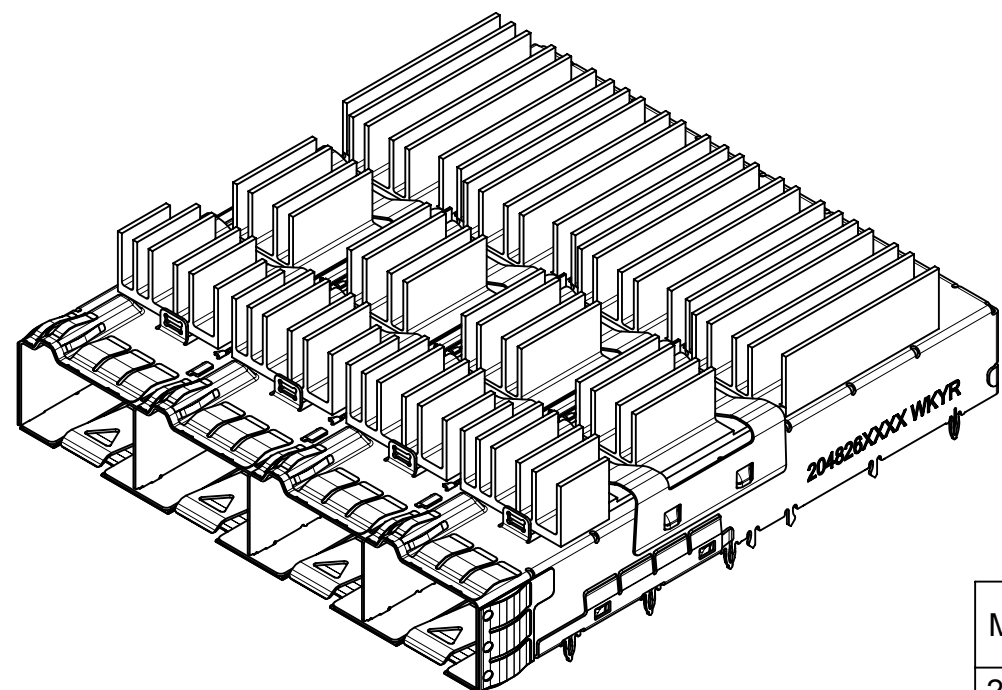
MOLEX P/N	LIGHT PIPES	#OF REAR LEGS PER PORT	DIM "A"	DIM "C"
2048265202	DUAL	2	13.1	64.45

NO HEATSINKS
W/ SINGLE LIGHT PIPES
CLOSED TOP



MOLEX P/N	LIGHT PIPES	#OF REAR LEGS PER PORT	DIM "A"	DIM "C"
2048265101	SINGLE	2	14.17	64.45

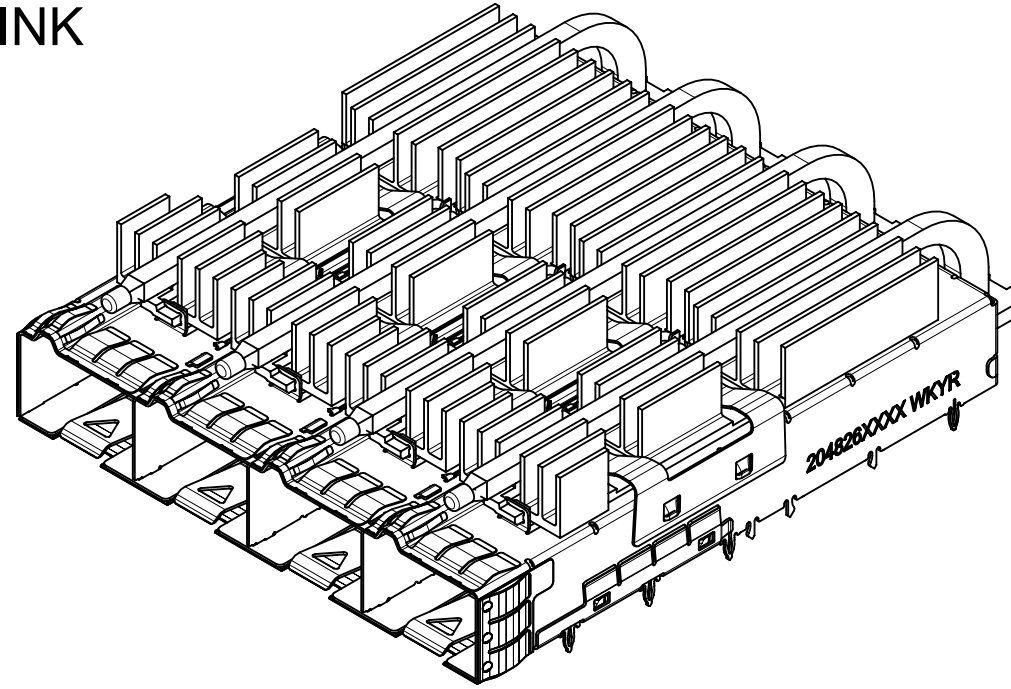
WITH HEATSINKS



MOLEX P/N	HEATSINKS	#OF REAR LEGS PER PORT	DIM "B"	CAGE BASE TYPE
2048266005	SAN	2	17.25	RAISE

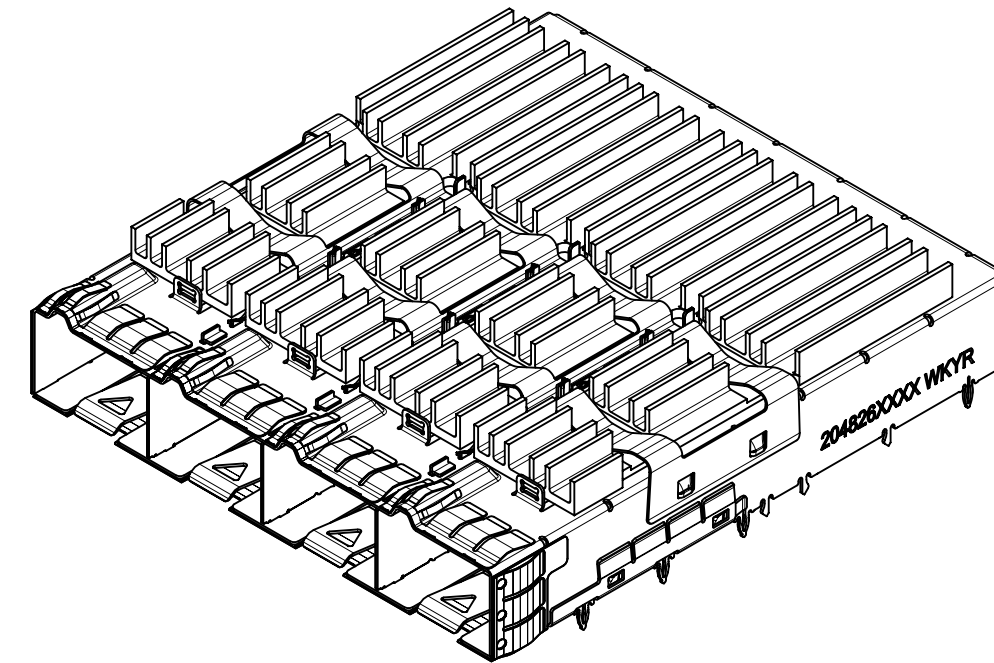
FUNCTIONAL SYMBOLS	THIS DRAWING CONTAINS INFORMATION THAT IS PROPRIETARY TO MOLEX ELECTRONIC TECHNOLOGIES, LLC AND SHOULD NOT BE USED WITHOUT WRITTEN PERMISSION		CURRENT REV DESC:		molex
	DIMENSION UNITS	SCALE	EC NO: 667528		
$\nabla_A = 0$	mm	1.5:1	DRWN: SMALLESHAPPA 2021/04/28		SFP-DD 1X4 CAGE ASSY, SF TYPE TRAPEZOID DR W/ HEAT SINK AND LIGHT PIPE OPTIONS
$\nabla_E = 0$	GENERAL TOLERANCES (UNLESS SPECIFIED)		CHK'D: DKUMARG 2021/06/18		
$\nabla_P = 0$	ANGULAR TOL $\pm 2.0^\circ$		APPR: JCHIANG 2021/06/22		PRODUCT CUSTOMER DRAWING
DIVISIONAL SYMBOLS	4 PLACES \pm		INITIAL REVISION:		
	3 PLACES \pm		DRWN: DSUN15 2018/10/03		DOCUMENT NUMBER
	2 PLACES ± 0.13		APPR: RCHEN08 2018/11/19		2048266209
	1 PLACE ± 0.25		DRAFT WHERE APPLICABLE MUST REMAIN WITHIN DIMENSIONS		DOC TYPE DOC PART REVISION
	0 PLACES \pm		THIRD ANGLE PROJECTION		PSD ASY E
			DRAWING	SERIES	MATERIAL NUMBER CUSTOMER SHEET NUMBER
			C-SIZE	204826	SEE SHEET 2 & 3 2 OF 9

WITH SINGLE LIGHT PIPE
HEATSINK



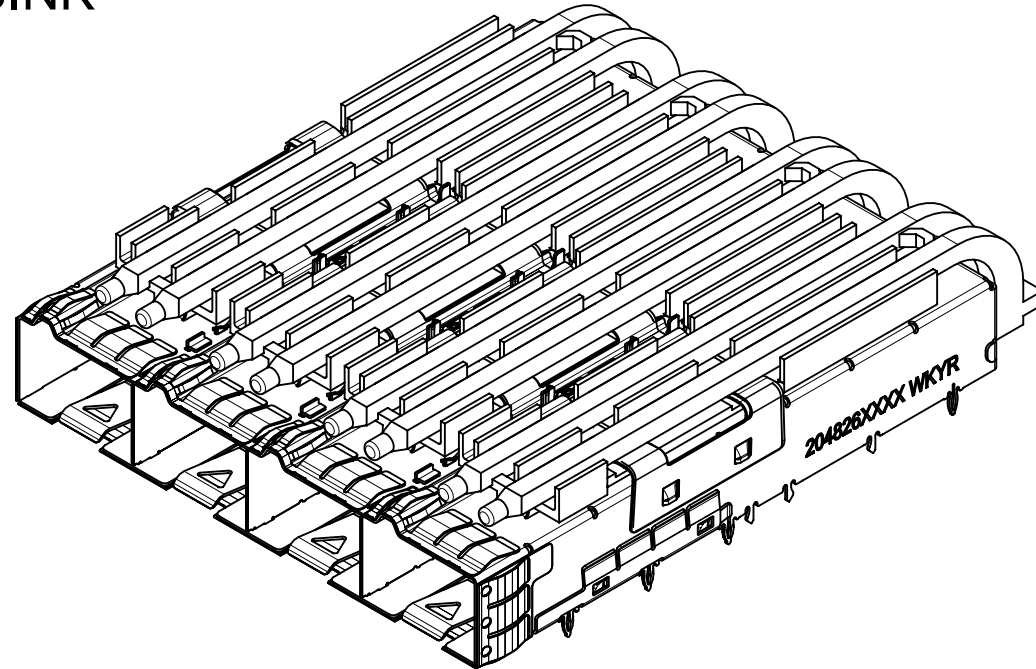
MOLEX P/N	LIGHTPIPES	HEATSINKS	#OF REAR LEGS PER PORT	DIM "A"	DIM "B"	DIM "C"	CAGE BASE TYPE
2048266100	SINGLE	SAN	2	14.17	17.25	64.45	RAISE

WITH HEATSINKS



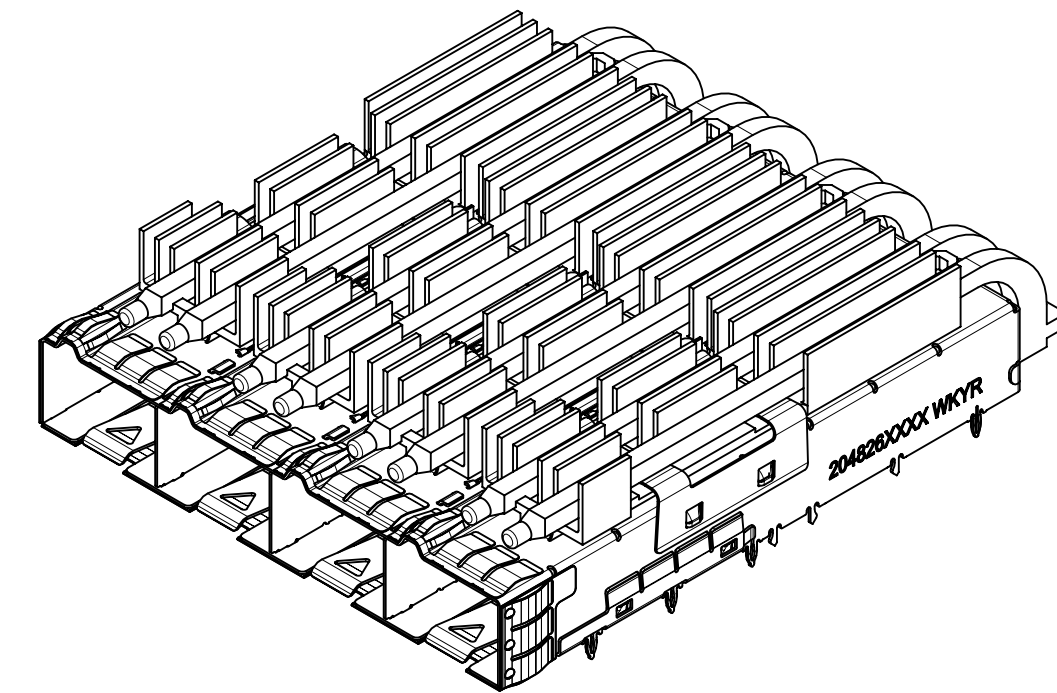
MOLEX P/N	HEATSINKS	#OF REAR LEGS PER PORT	DIM "B"	CAGE BASE TYPE
2048266004	PCI	2	14.30	RAISE

WITH DUAL LIGHT PIPE
PCI HEATSINK



MOLEX P/N	LIGHTPIPES	HEATSINKS	#OF REAR LEGS PER PORT	DIM "A"	DIM "B"	DIM "C"	CAGE BASE TYPE
2048266208	DUAL	PCI	2	13.1	14.30	64.45	RAISE

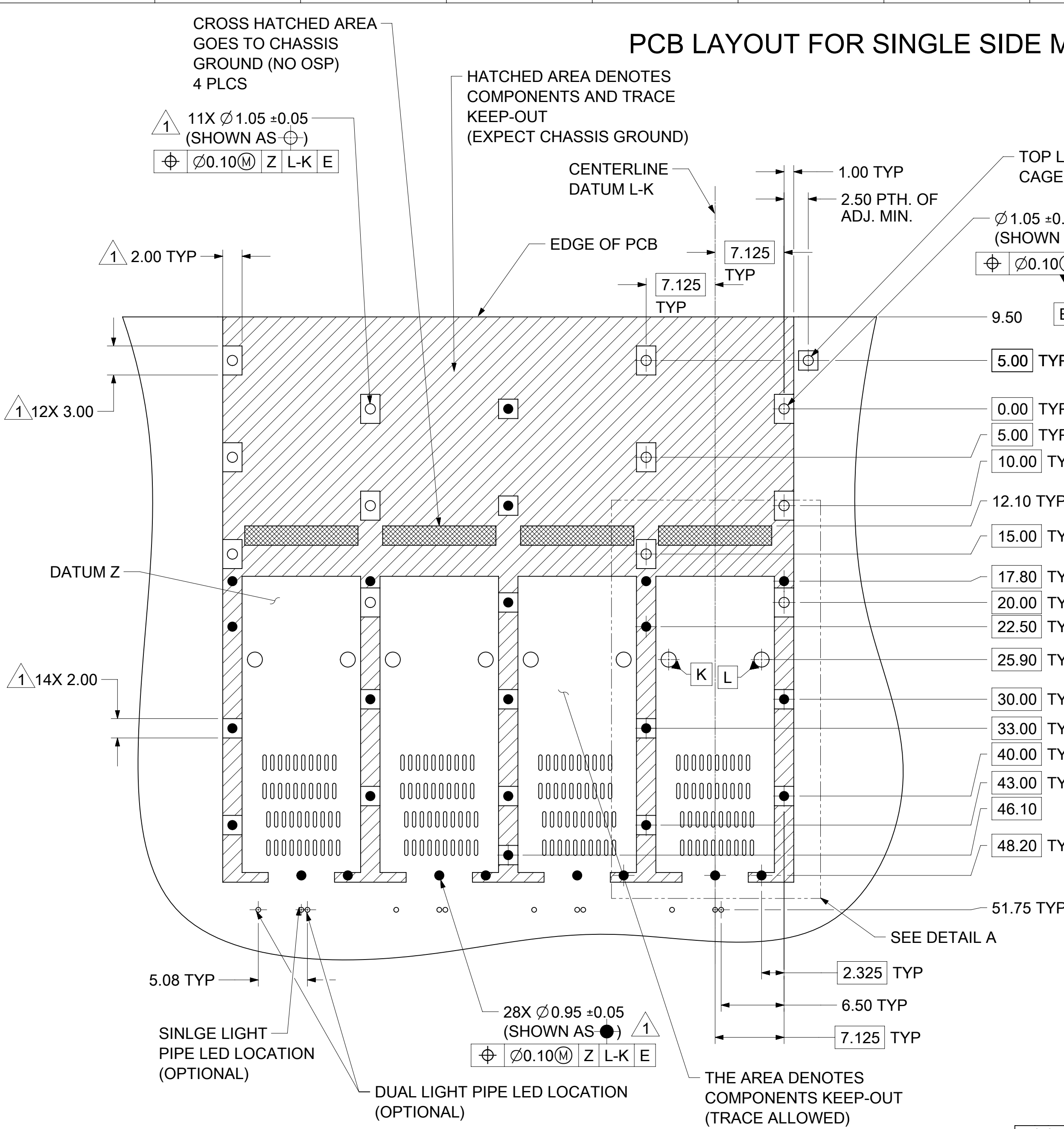
WITH DUAL LIGHT PIPE
SAN HEATSINK



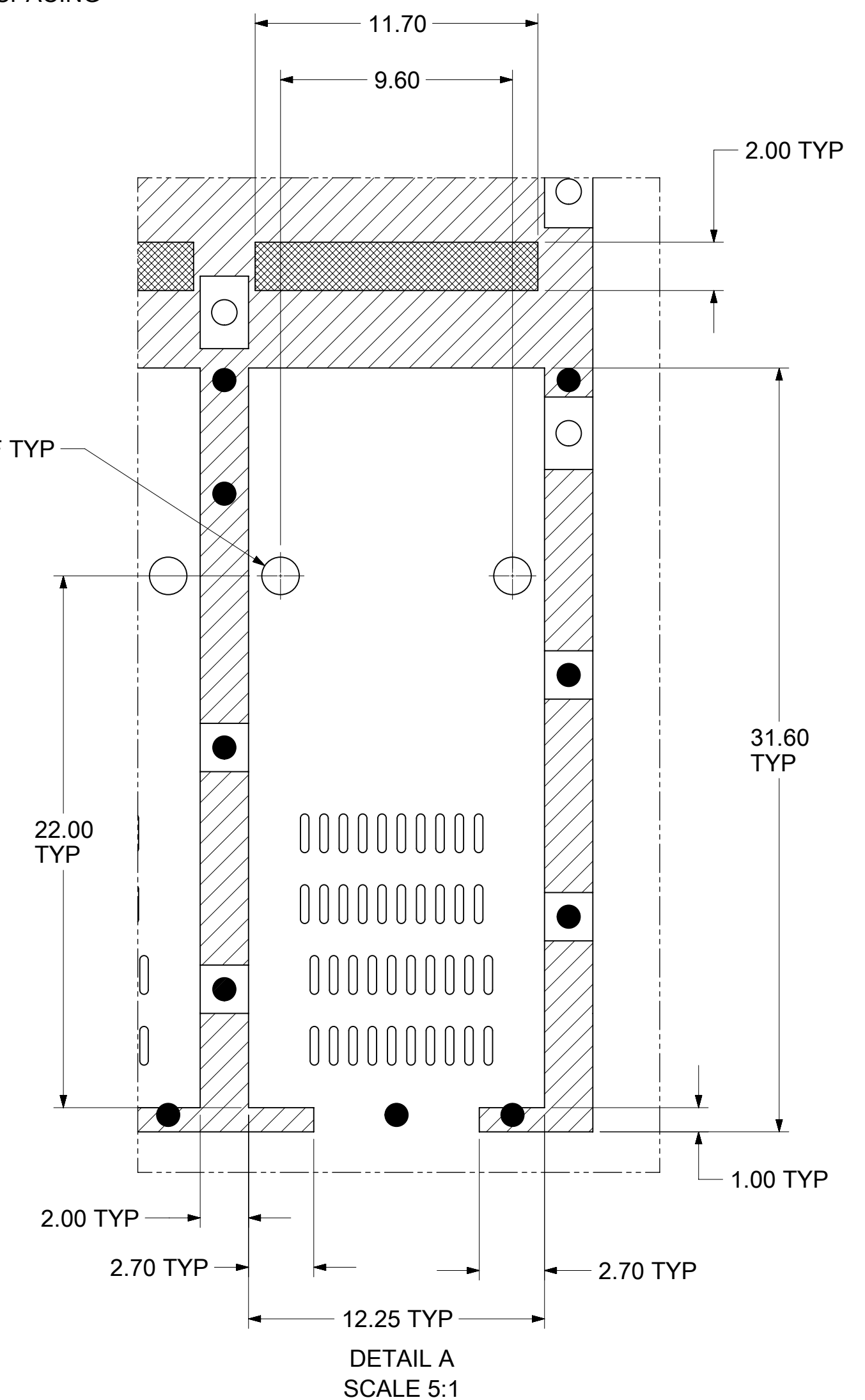
MOLEX P/N	LIGHTPIPES	HEATSINKS	#OF REAR LEGS PER PORT	DIM "A"	DIM "B"	DIM "C"	CAGE BASE TYPE
2048266209	DUAL	SAN	2	13.1	17.25	64.45	RAISE

FUNCTIONAL SYMBOLS $\nabla_A = 0$ $\nabla_C = 0$ $\nabla_P = 0$	THIS DRAWING CONTAINS INFORMATION THAT IS PROPRIETARY TO MOLEX ELECTRONIC TECHNOLOGIES, LLC AND SHOULD NOT BE USED WITHOUT WRITTEN PERMISSION		CURRENT REV DESC:		<p>SFP-DD 1X4 CAGE ASSY, SF TYPE TRAPEZOID DR W/ HEAT SINK AND LIGHT PIPE OPTIONS</p> <p>PRODUCT CUSTOMER DRAWING</p>
	DIMENSION UNITS	SCALE	EC NO: 667528		
	mm	1.5:1	DRWN: SMALLESHAPPA 2021/04/28		
	GENERAL TOLERANCES (UNLESS SPECIFIED)		CHK'D: DKUMARG 2021/06/18		
ANGULAR TOL $\pm 2.0^\circ$		APPR: JCHIANG 2021/06/22		DOCUMENT NUMBER	DOC TYPE DOC PART REVISION
4 PLACES \pm		INITIAL REVISION:		2048266209	PSD ASY E
3 PLACES \pm		DRWN: DSUN15 2018/10/03		MATERIAL NUMBER	CUSTOMER
2 PLACES ± 0.13		APPR: RCHEN08 2018/11/19		SEE SHEET 2 & 3	SHEET NUMBER
1 PLACE ± 0.25		THIRD ANGLE PROJECTION			3 OF 9
0 PLACES \pm		DRAWING			
DRAFT WHERE APPLICABLE MUST REMAIN WITHIN DIMENSIONS		C-SIZE			
		SERIES			
		204826			

PCB LAYOUT FOR SINGLE SIDE MOUNT



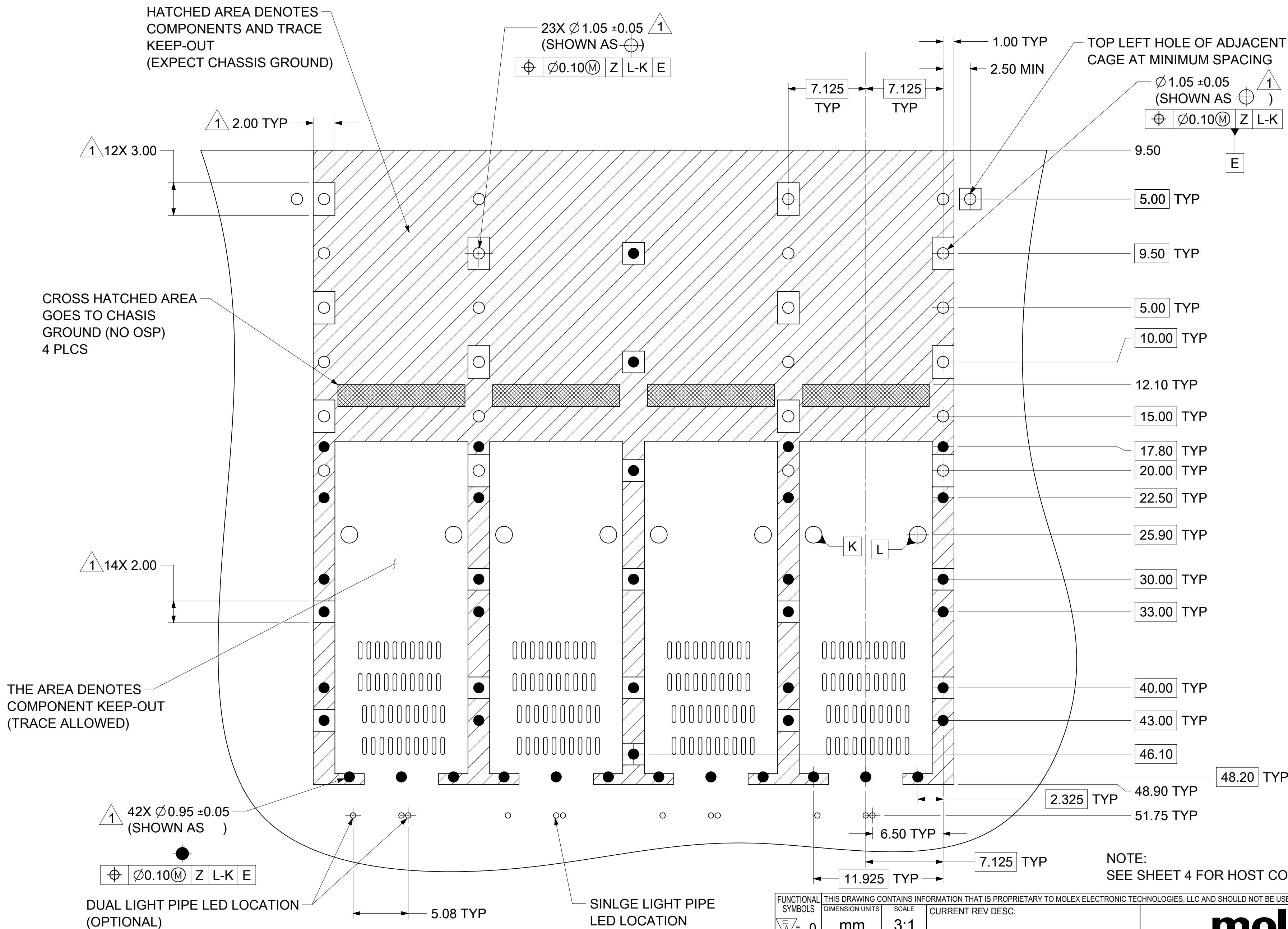
HOST CONNECTOR DETAIL



- NOTES:
1. PADS AND VIAS CONNECT TO CHASSIS GROUND
 2. RECOMMENDED THRU HOLE PLATING INCLUDES HASL, OSP, OR IMMERSION (GOLD, SILVER, OR TIN).
 3. CONNECTOR PAD LAYOUT PER SFP-DD MSA WILL ACCOMMODATE MOLEX CONNECTOR SERIES 204730 OR EQUIVALENT.
 4. PCB THICKNESS FOR SINGLE SIDED USE: 1.57MM $\pm 10\%$

FUNCTIONAL SYMBOLS	THIS DRAWING CONTAINS INFORMATION THAT IS PROPRIETARY TO MOLEX ELECTRONIC TECHNOLOGIES, LLC AND SHOULD NOT BE USED WITHOUT WRITTEN PERMISSION		CURRENT REV DESC:	
	DIMENSION UNITS	SCALE		
$\overline{A} = 0$	mm	3:1		
$\overline{C} = 0$	GENERAL TOLERANCES (UNLESS SPECIFIED)			
$\overline{P} = 0$	ANGULAR TOL $\pm 2.0^\circ$			
DIVISIONAL SYMBOLS	4 PLACES	\pm	EC NO: 667528	
	3 PLACES	\pm	DRWN: SMALLESHAPPA	2021/04/28
	2 PLACES	± 0.13	CHK'D: DKUMARG	2021/06/18
	1 PLACE	± 0.25	APPR: JCHIANG	2021/06/22
0 PLACES	\pm	INITIAL REVISION:		
DRAFT WHERE APPLICABLE MUST REMAIN WITHIN DIMENSIONS		THIRD ANGLE PROJECTION	DRWING	SERIES
			C-SIZE	204826
DOCUMENT STATUS		P1	RELEASE DATE	2021/06/22 12:00:51
DOCUMENT NUMBER		CUSTOMER		SHEET NUMBER
2048266209		SEE SHEET 2 & 3		4 OF 9

PCB LAYOUT FOR BELLY TO BELLY MOUNT



- NOTES:
1. PADS AND VIAS CONNECT TO CHASSIS GROUND
 2. RECOMMENDED THRU HOLE PLATING INCLUDES HASL, OSP, OR IMMERSION (GOLD, SILVER, OR TIN).
 3. CONNECTOR PAD LAYOUT PER SFP-DD MSA WILL ACCOMMODATE MOLEX CONNETOR SERIES 204730 OR EQUIVALENT.
 4. MIN PCB THICKNESS FOR BELLY TO BELLY USE: 2.55MM.

FUNCTIONAL SYMBOLS		THIS DRAWING CONTAINS INFORMATION THAT IS PROPRIETARY TO MOLEX ELECTRONIC TECHNOLOGIES, LLC AND SHOULD NOT BE USED WITHOUT WRITTEN PERMISSION	
$\nabla_A = 0$	DIMENSION UNITS	SCALE	CURRENT REV DESC:
$\nabla_C = 0$	mm	3:1	EC NO: 667528
$\nabla_P = 0$	GENERAL TOLERANCES (UNLESS SPECIFIED)		DRWN: SMALLESHAPPA 2021/04/28
DIVISIONAL SYMBOLS		ANGULAR TOL $\pm 2.0^\circ$	CHK'D: DKUMARG 2021/06/18
4 PLACES \pm	4 PLACES \pm		APPR: JCHIANG 2021/06/22
3 PLACES \pm	3 PLACES \pm		INITIAL REVISION:
2 PLACES ± 0.13	2 PLACES ± 0.25		DRWN: DSUN15 2018/10/03
1 PLACE \pm	1 PLACE \pm		APPR: RCHEN08 2018/11/19
0 PLACES \pm	0 PLACES \pm		
DRAFT WHERE APPLICABLE MUST REMAIN WITHIN DIMENSIONS		THIRD ANGLE PROJECTION	DRAWING SERIES
			C-SIZE 204826
DOCUMENT STATUS		DOC TYPE	DOC PART
P1	RELEASE DATE	2021/06/22	12:00:51
MATERIAL NUMBER		CUSTOMER	SHEET NUMBER
2048266209		SEE SHEET 2 & 3	5 OF 9
PRODUCT CUSTOMER DRAWING		PSD	ASY
DOCUMENT NUMBER		DOC PART	REVISION
2048266209		PSD	ASY E

molex

SFP-DD 1X4 CAGE ASSY, SF TYPE
 TRAPEZOID DR W/ HEAT SINK AND LIGHT PIPE
 OPTIONS

PRODUCT CUSTOMER DRAWING

DOCUMENT NUMBER: 2048266209

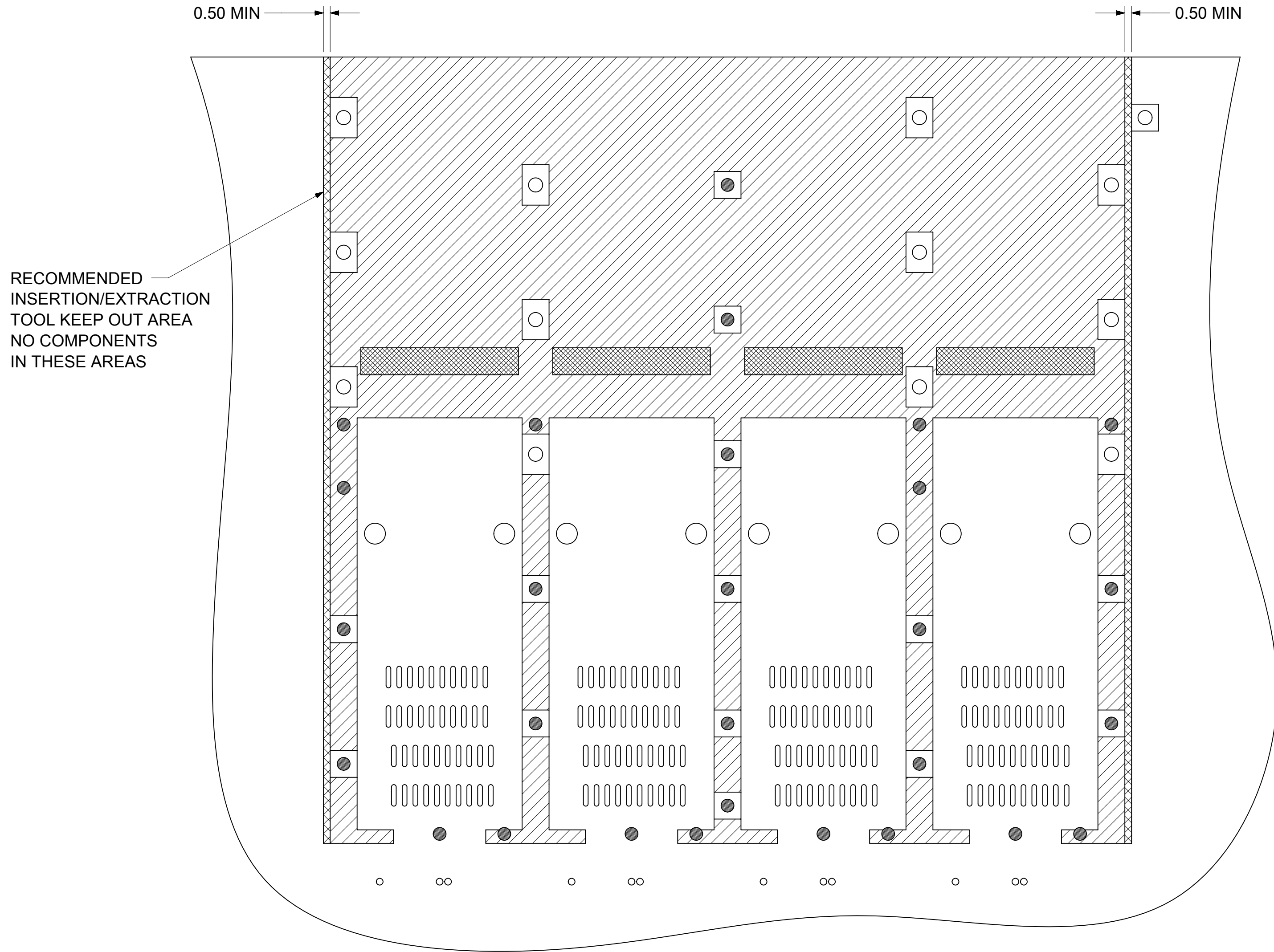
DOC TYPE: PSD

DOC PART: ASY

REVISION: E

SHEET NUMBER: 5 OF 9

KEEP OUT AREA FOR INSERTION/EXTRACTION TOOL

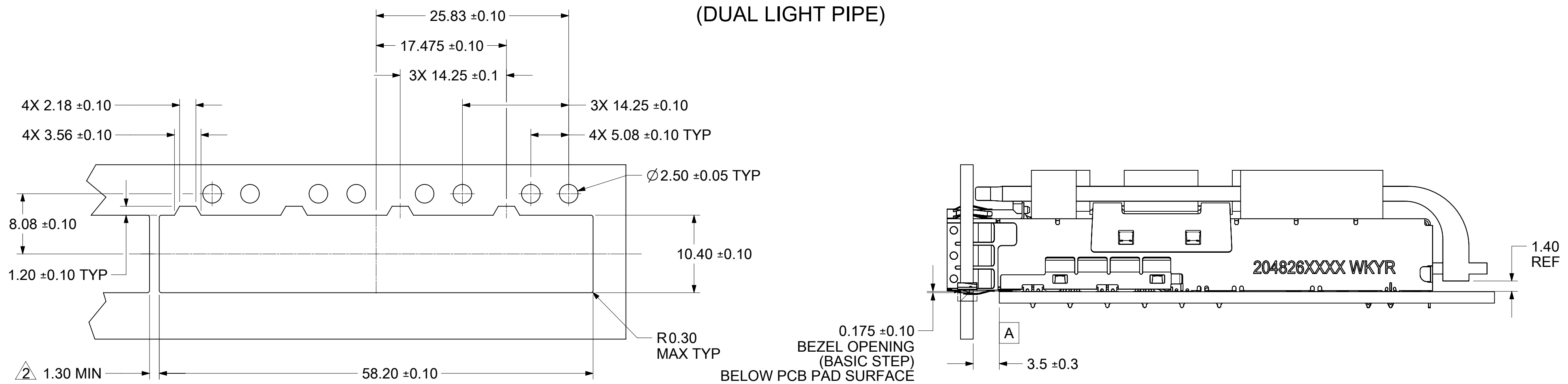


FUNCTIONAL SYMBOLS $\nabla_A = 0$ $\nabla_C = 0$ $\nabla_P = 0$ DIVISIONAL SYMBOLS	THIS DRAWING CONTAINS INFORMATION THAT IS PROPRIETARY TO MOLEX ELECTRONIC TECHNOLOGIES, LLC AND SHOULD NOT BE USED WITHOUT WRITTEN PERMISSION		CURRENT REV DESC:		 SFP-DD 1X4 CAGE ASSY, SF TYPE TRAPEZOID DR W/ HEAT SINK AND LIGHT PIPE OPTIONS PRODUCT CUSTOMER DRAWING				
	DIMENSION UNITS: mm SCALE: 4:1	GENERAL TOLERANCES (UNLESS SPECIFIED)		EC NO: 667528 DRWN: SMALLESHAPPA 2021/04/28 CHK'D: DKUMARG 2021/06/18 APPR: JCHIANG 2021/06/22					
	ANGULAR TOL $\pm 2.0^\circ$ 4 PLACES \pm 3 PLACES \pm 2 PLACES ± 0.13 1 PLACE ± 0.25 0 PLACES \pm		INITIAL REVISION: DRWN: DSUN15 2018/10/03 APPR: RCHEN08 2018/11/19			DOCUMENT NUMBER 2048266209	DOC TYPE PSD	DOC PART ASY	REVISION E
	DRAFT WHERE APPLICABLE MUST REMAIN WITHIN DIMENSIONS		THIRD ANGLE PROJECTION 	DRAWING C-SIZE		SERIES 204826	MATERIAL NUMBER SEE SHEET 2 & 3	CUSTOMER	SHEET NUMBER 6 OF 9

DOCUMENT STATUS	P1	RELEASE DATE	2021/06/22	12:00:51
-----------------	----	--------------	------------	----------

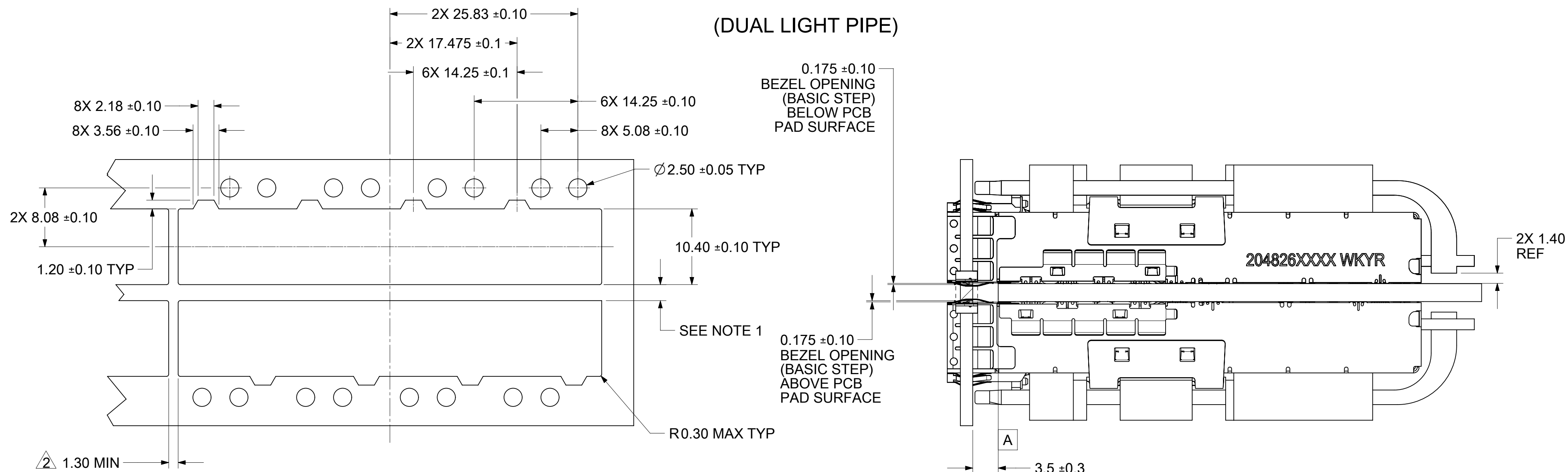
BEZEL AND BOARD POSITION DIMENSIONS FOR SINGLE SIDE MOUNTING

(DUAL LIGHT PIPE)



BEZEL AND BOARD POSITION DIMENSIONS FOR BELLY TO BELLY MOUNTING

(DUAL LIGHT PIPE)

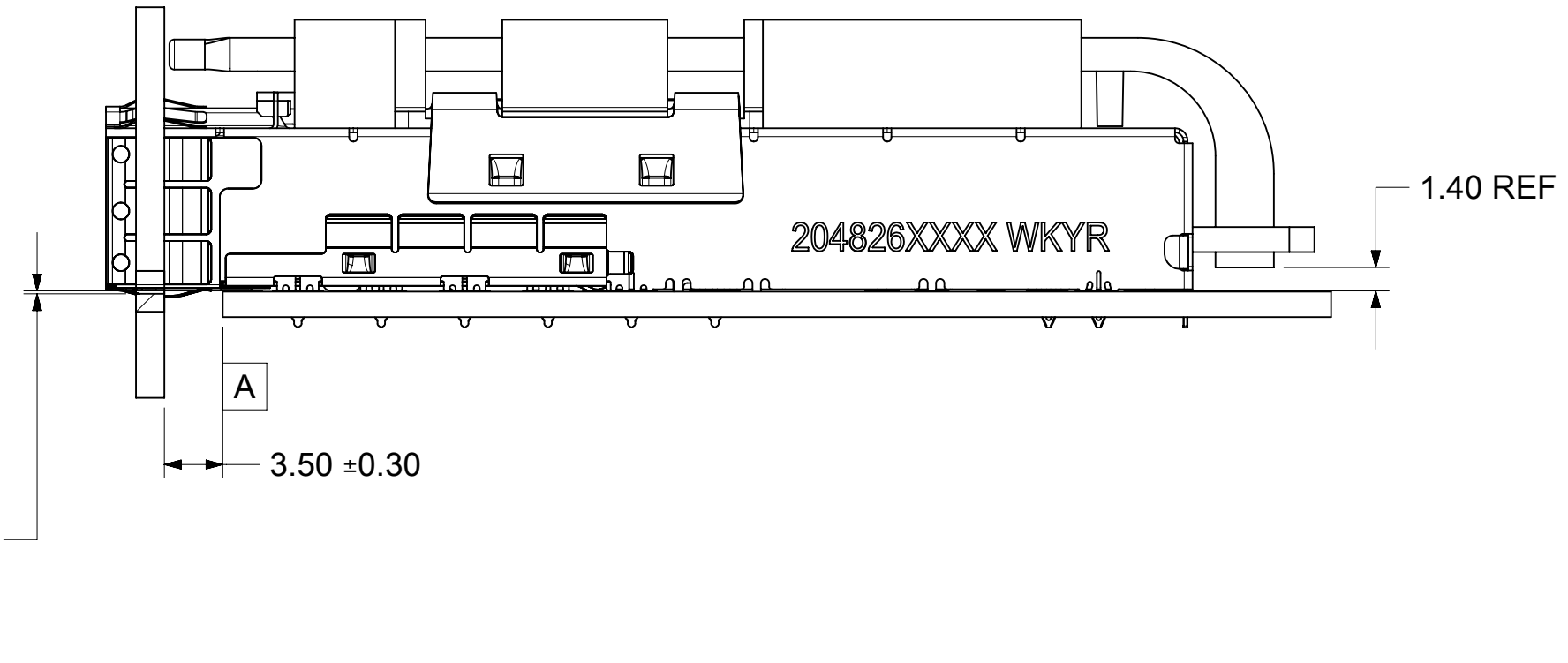
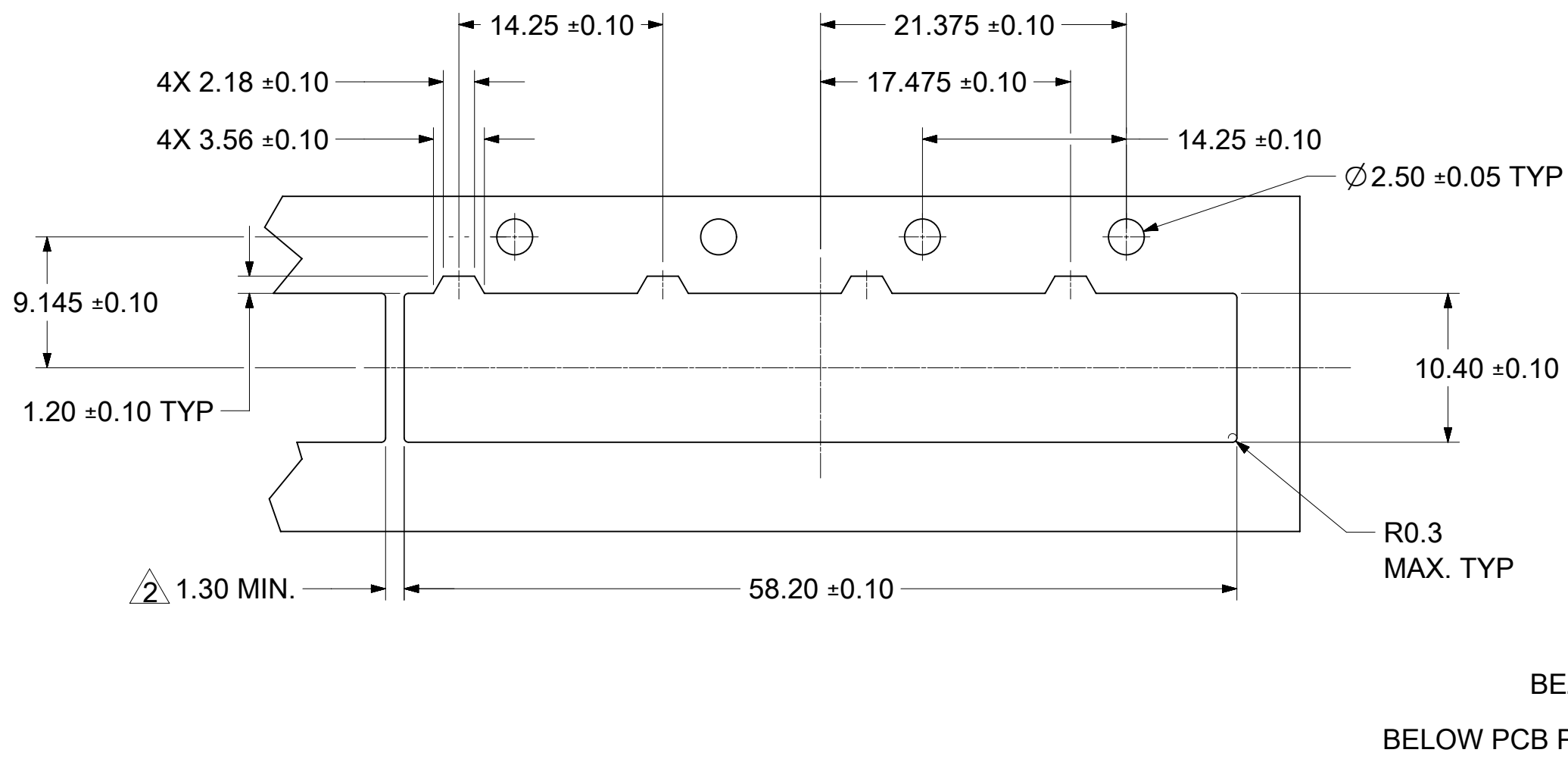


1. PCB THICKNESS VARIATION MUST BE CONSIDERED WHEN DETERMINING BEZEL OPENING AND LOCATION
 THIS DIMENSION IS FOR REFERENCE ONLY. USER CAN MODIFY IT DEPENDS ON APPLICATION.
 (THIS DIMENSION VARIES BASED ON DISTANCE OF "HOLE OF ADJACENT CAGE" ON PCB LAYOUT)

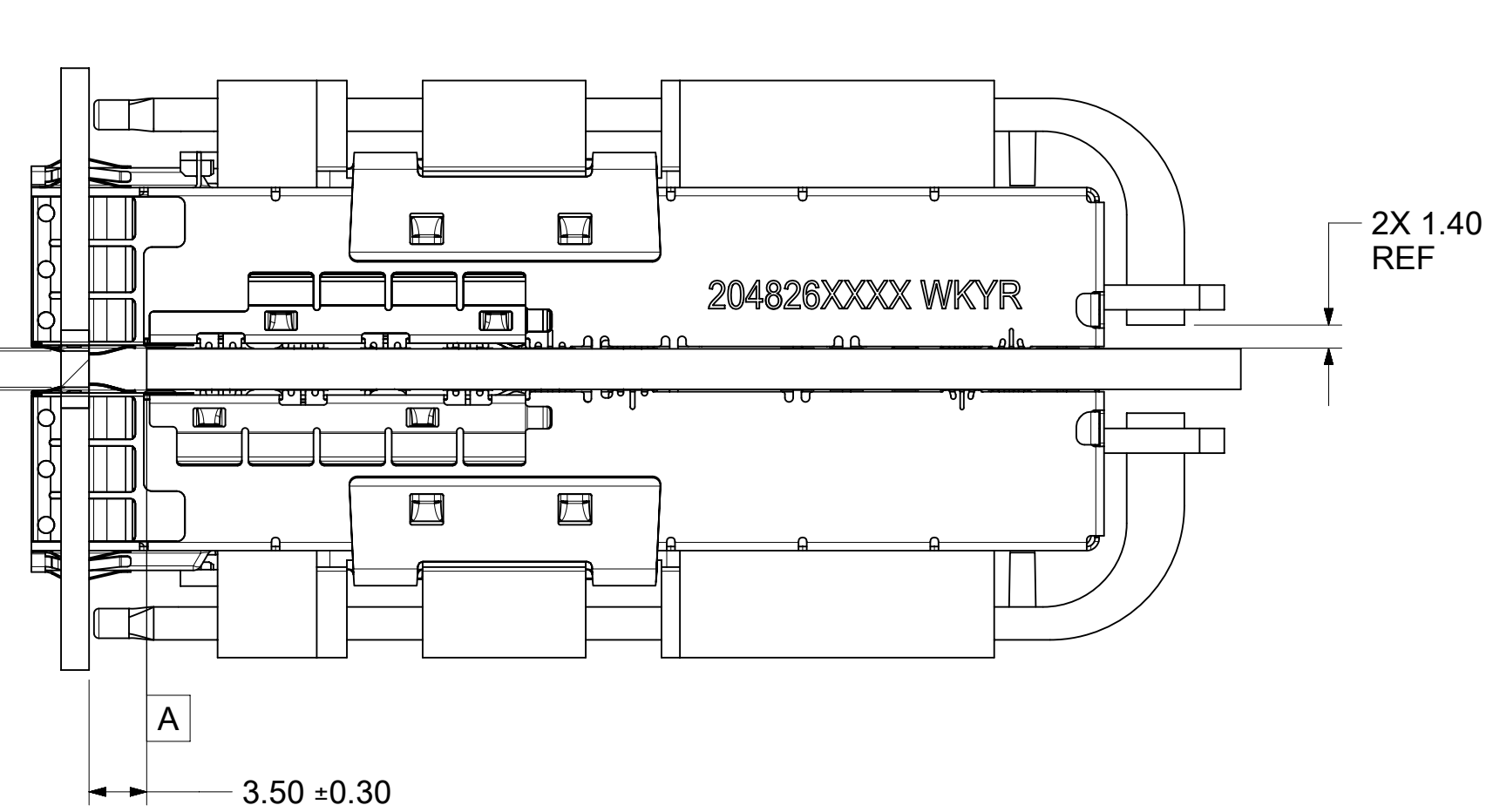
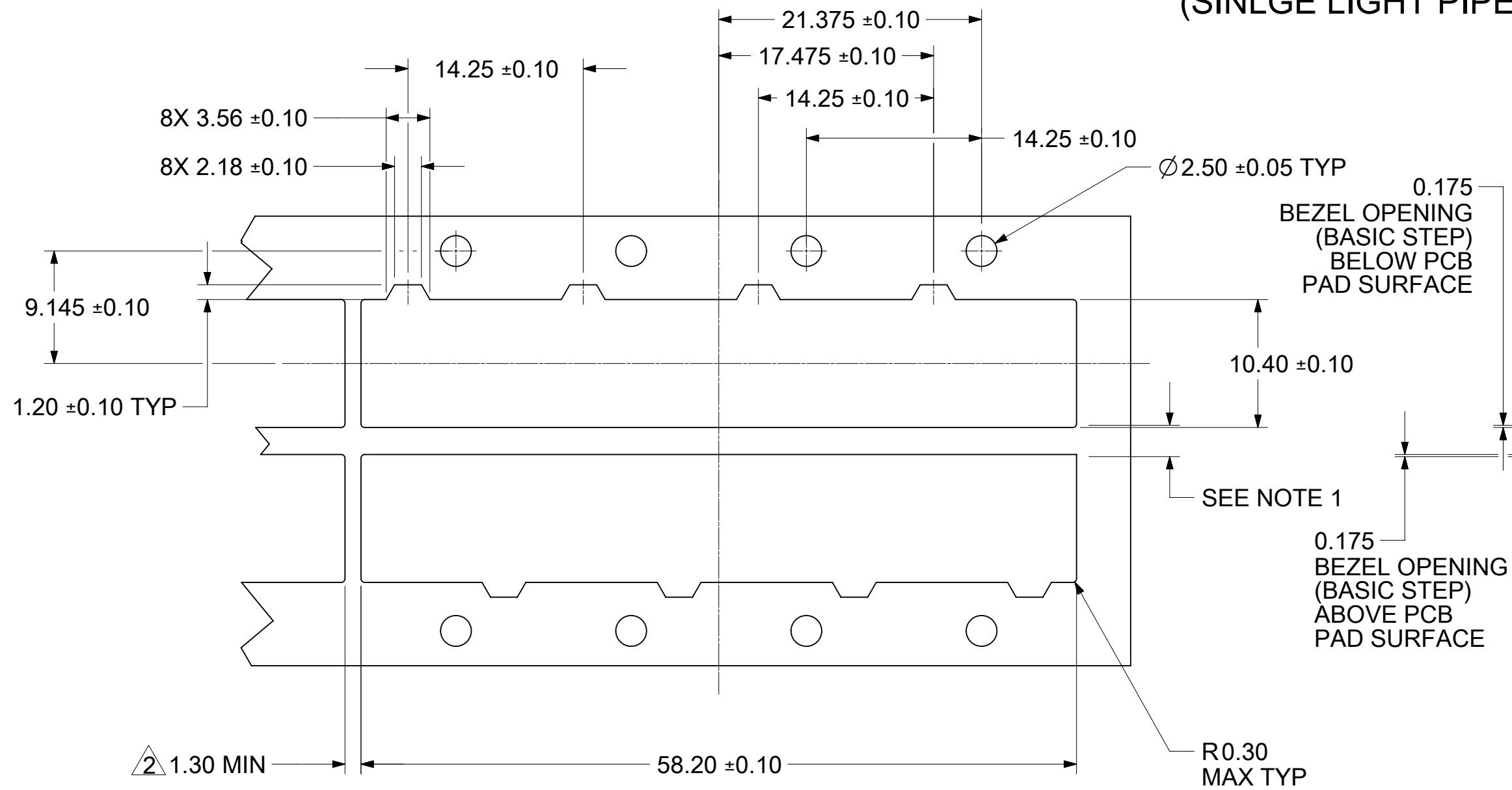
FUNCTIONAL SYMBOLS	THIS DRAWING CONTAINS INFORMATION THAT IS PROPRIETARY TO MOLEX ELECTRONIC TECHNOLOGIES, LLC AND SHOULD NOT BE USED WITHOUT WRITTEN PERMISSION		CURRENT REV DESC:	
	FA = 0	mm 2.5:1	EC NO: 667528	
GENERAL TOLERANCES (UNLESS SPECIFIED)	EA = 0	ANGULAR TOL ± 2.0°	DRWN: SMALLESHAPPA 2021/04/28	
	EP = 0	4 PLACES ±	CHK'D: DKUMARG 2021/06/18	
DIVISIONAL SYMBOLS	3 PLACES ±	APPR: JCHIANG 2021/06/22		PRODUCT CUSTOMER DRAWING
	2 PLACES ± 0.13	INITIAL REVISION:		DOCUMENT NUMBER
1 PLACE ± 0.25	DRWN: DSUN15 2018/10/03		2048266209	DOC TYPE DOC PART REVISION
0 PLACES ±	APPR: RCHEN08 2018/11/19		PSD ASY E	
DRAFT WHERE APPLICABLE MUST REMAIN WITHIN DIMENSIONS	THIRD ANGLE PROJECTION	DRAWING	SERIES	MATERIAL NUMBER CUSTOMER SHEET NUMBER
		C-SIZE	204826	SEE SHEET 2 & 3 7 OF 9

DOCUMENT STATUS	P1	RELEASE DATE	2021/06/22 12:00:51
-----------------	----	--------------	---------------------

BEZEL AND BOARD POSITION DIMENSIONS FOR SINGLE SIDE MOUNTING (SINLGE LIGHT PIPE)




BEZEL AND BOARD POSITION DIMENSIONS FOR BELLY TO BELLY MOUNTING (SINLGE LIGHT PIPE)



1. PCB THICKNESS VARIATION MUST BE CONSIDERED WHEN DETERMINING BEZEL OPENING AND LOCATION
 2. THIS DIMENSION IS FOR REFERENCE ONLY. USER CAN MODIFY IT DEPENDS ON APPLICATION.
 (THIS DIMENSION VARIES BASED ON DISTANCE OF "HOLE OF ADJACENT CAGE" ON PCB LAYOUT)

FUNCTIONAL SYMBOLS $\nabla_A = 0$ $\nabla_C = 0$ $\nabla_P = 0$	THIS DRAWING CONTAINS INFORMATION THAT IS PROPRIETARY TO MOLEX ELECTRONIC TECHNOLOGIES, LLC AND SHOULD NOT BE USED WITHOUT WRITTEN PERMISSION		CURRENT REV DESC:		
	DIMENSION UNITS	SCALE	EC NO: 667528		
	mm	2:1	DRWN: SMALLESHAPPA		
	GENERAL TOLERANCES (UNLESS SPECIFIED)		2021/04/28		
ANGULAR TOL ± 2.0°		CHK'D: DKUMARG		2021/06/18	SFP-DD 1X4 CAGE ASSY, SF TYPE TRAPEZOID DR W/ HEAT SINK AND LIGHT PIPE OPTIONS
4 PLACES ±		APPR: JCHIANG		2021/06/22	
3 PLACES ±		INITIAL REVISION:			
2 PLACES ± 0.13		DRWN: DSUN15		2018/10/03	
1 PLACE ± 0.25		APPR: RCHEN08		2018/11/19	PRODUCT CUSTOMER DRAWING
0 PLACES ±		DRAFT WHERE APPLICABLE MUST REMAIN WITHIN DIMENSIONS		THIRD ANGLE PROJECTION	DOCUMENT NUMBER
		DRAWING		SERIES	204826209
		C-SIZE		204826	PSD ASY E
		MATERIAL NUMBER		CUSTOMER	SEE SHEET 2 & 3
		SHEET NUMBER			8 OF 9

REV	DATE	DESCRIPTION
A	2018/11/13	INITIAL RELEASE
B	2018/11/29	SHEET 3: A10: CHANGED SINGLE SIDE PCB THICKNESS FROM MIN 1.57 TO 1.57MM+/-10% CHANGED 3D RAISE CAGE BASE (P/N:2048222401) TO CAGE BASE (2048222400) FOR 2048265004/2048265202 SHEET 2: F11/B11: ADDED RAISE CAGE BASE COLUMN FOR 2048264002/2048265202/2048266100/2048266209/2048266005
C	2019/01/10	SHEET 1 : B4 : DATE CODE NOTE UPDATED WITH LASER MARKING OPTION. SHEET 2: D10: 2048266100 HEATSINK CHANGED FROM CUSTOM TO SAN. B9: CHANGED DIM "B" FROM 21.4 TO 17.25. E07 : VIEW AND P/N TABLE IS ADDED FOR 2048265101. SHEET 5: ADDED SHEET 5 FOR KEEP OUT AREA FOR INSERTION/EXTRACTION TOOL
D	2019/04/24	SHEET 3: ADDED TO SHOW 2048266208 AND 2048266004 P/N. SHEET 4: H11: DIA SYMBOL ADDED IN TOLERANCE ZONE G6: DIA SYMBOL ADDED IN TOLERANCE ZONE B9: DIA SYMBOL ADDED IN TOLERANCE ZONE D4: ADDED 'TYP' TEXT AT THE DIMENSION 22.00 E1: ADDED 'TYP' TEXT AT THE DIMENSION 31.60 H3: 12.25 DIMENSION REMOVED C6: 48.90 DIMENSION REMOVED F5 : DIA 1.55 DIMENSION ADDED SHEET 5 : H7: DIA SYMBOL ADDED IN TOLERANCE ZONE H2: DIA SYMBOL ADDED IN TOLERANCE ZONE B11: DIA SYMBOL ADDED IN TOLERANCE ZONE
D1	2019/05/16	CORRECTED THE SHEET SEQUENCE.
D2	2019/06/02	SHEET 1 : H12 : ADDED DETAIL C. SHEET 2 : C02 : ADDED ISO OF 2048265010 P/N.
D3	2019/10/24	FOR BETTER VISIBILITY, THE LOCATION OF DATE CODE TEXT ON THE CAGE COVER ADJUSTED IN SHEET 1, SHEET 2, SHEET 3, SHEET 7 AND SHEET 8. SHEET 3: H05: ADDED NOTE "WITH HEATSINKS". E11: ADDED NOTE "WITH DUAL LIGHT PIPE WITH HEATSINK".
E	2021/04/28	SHEET 1: B05: UPDATED THE DATE CODE INFORMATION. SHEET 2: D11: ADDED NEW PART NUMBER 2048264003. SHEET 3: D03: MOVED P/N 2048266209 FROM SHEET 2 TO SHEET3.

FUNCTIONAL SYMBOLS										THIS DRAWING CONTAINS INFORMATION THAT IS PROPRIETARY TO MOLEX ELECTRONIC TECHNOLOGIES, LLC AND SHOULD NOT BE USED WITHOUT WRITTEN PERMISSION									
DIMENSION UNITS					SCALE					CURRENT REV DESC:					 <p>SFP-DD 1X4 CAGE ASSY, SF TYPE TRAPEZOID DR W/ HEAT SINK AND LIGHT PIPE OPTIONS</p> <p>PRODUCT CUSTOMER DRAWING</p>				
mm					1:1					EC NO: 667528									
GENERAL TOLERANCES (UNLESS SPECIFIED)										DRWN: SMALLESHAPPA 2021/04/28									
ANGULAR TOL ± 2.0°										CHK'D: DKUMARG 2021/06/18									
DIVISIONAL SYMBOLS					4 PLACES ±					APPR: JCHIANG 2021/06/22					DOCUMENT NUMBER				
					3 PLACES ±					INITIAL REVISION:					2048266209				
					2 PLACES ± 0.13					DRWN: DSUN15 2018/10/03					DOC TYPE				
					1 PLACE ± 0.25					APPR: RCHEN08 2018/11/19					PSD				
					0 PLACES ±					THIRD ANGLE PROJECTION					DOC PART				
					DRAFT WHERE APPLICABLE MUST REMAIN WITHIN DIMENSIONS					DRAWING					REVISION				
					C-SIZE					SERIES					MATERIAL NUMBER				
					204826					SEE SHEET 2 & 3					CUSTOMER				
															SHEET NUMBER				
															9 OF 9				