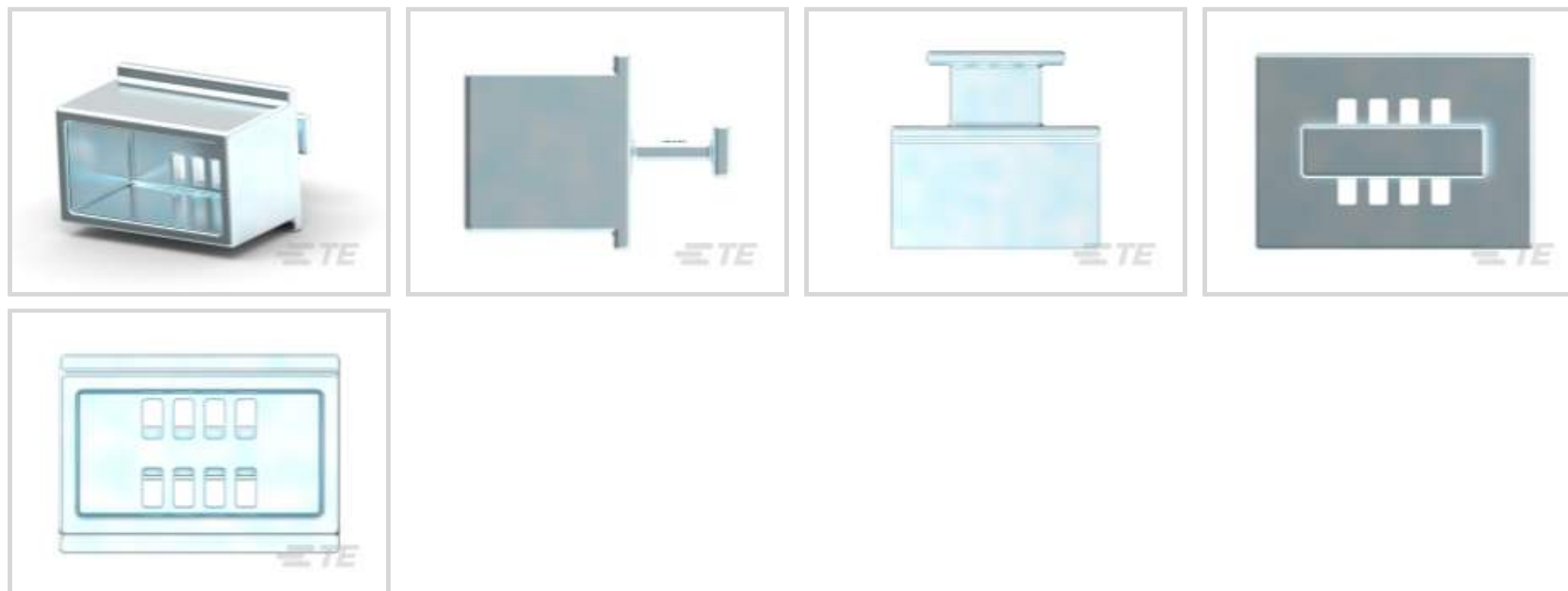




Connectors > Pluggable IO Connectors & Cages > OSFP



Pluggable I/O Product Type: **Accessory**

Connector System: **Wire-to-Board**

Sealable: **No**

Features

Product Type Features

Form Factor	OSFP
Pluggable I/O Accessory Type	Dust & EMI Cover
Cage Type	Kit
Pluggable I/O Product Type	Accessory
Connector System	Wire-to-Board
Sealable	No

Product Compliance

[For compliance documentation, visit the product page on TE.com>](#)

EU RoHS Directive 2011/65/EU	Compliant
EU ELV Directive 2000/53/EC	Compliant
China RoHS 2 Directive MIIT Order No 32, 2016	No Restricted Materials Above Threshold
EU REACH Regulation (EC) No. 1907/2006	Current ECHA Candidate List: JUNE 2023 (235) Candidate List Declared Against: JUNE 2023 (235) Does not contain REACH SVHC
Halogen Content	Low Halogen - Br, Cl, F, I < 900 ppm per homogenous material. Also BFR/CFR/PVC Free

Solder Process Capability

Not applicable for solder process capability

Product Compliance Disclaimer

This information is provided based on reasonable inquiry of our suppliers and represents our current actual knowledge based on the information they provided. This information is subject to change. The part numbers that TE has identified as EU RoHS compliant have a maximum concentration of 0.1% by weight in homogenous materials for lead, hexavalent chromium, mercury, PBB, PBDE, DBP, BBP, DEHP, DIBP, and 0.01% for cadmium, or qualify for an exemption to these limits as defined in the Annexes of Directive 2011/65/EU (RoHS2). Finished electrical and electronic equipment products will be CE marked as required by Directive 2011/65/EU. Components may not be CE marked. Additionally, the part numbers that TE has identified as EU ELV compliant have a maximum concentration of 0.1% by weight in homogenous materials for lead, hexavalent chromium, and mercury, and 0.01% for cadmium, or qualify for an exemption to these limits as defined in the Annexes of Directive 2000/53/EC (ELV). Regarding the REACH Regulation, the information TE provides on SVHC in articles for this part number is based on the latest European Chemicals Agency (ECHA) 'Guidance on requirements for substances in articles' posted at this URL: <https://echa.europa.eu/guidance-documents/guidance-on-reach>

Compatible Parts



TE Part # CAT-P65-N4903
OSFP Cage Assembly: EMI Springs

Customers Also Bought



TE Part #1658640-1
HDP-20,RCPT,SIZE 5, 50 POSN



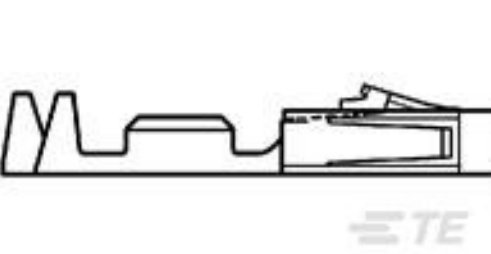
TE Part #1658683-1
HDP-22,RCPT,SIZE 3,44 POSN



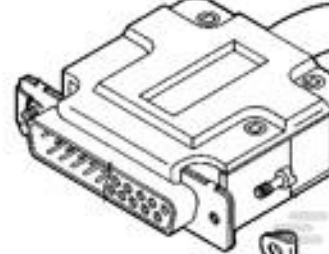
TE Part #1658686-4
SOCKET CONTACT,22 DF,LP,22-28



TE Part #4-87456-9
04 MODIV HSG COMP DR .100CL



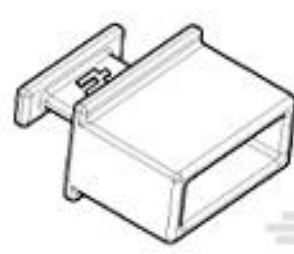
TE Part #1-104479-1
SHORT POINT RECP CONT LP



TE Part #1-5207908-3
KIT S/R SCREW RET 90/180 DEG



TE Part #1658677-1
HDP-22,OVRMLD,PLUG KIT,SIZE 3,



TE Part #1888810-2
EMI/Dust Cover,XFP And QSFP



Documents

Product Drawings

[DUST AND EMI PLUG, PLATED, OSFP](#)

English

CAD Files

[3D PDF](#)

3D

Customer View Model

[ENG_CVM_CVM_2317857-2_A.2d_dxf.zip](#)

English

Customer View Model

[ENG_CVM_CVM_2317857-2_A.3d_igs.zip](#)

English

Customer View Model

[ENG_CVM_CVM_2317857-2_A.3d_stp.zip](#)

English

By downloading the CAD file I accept and agree to the [Terms and Conditions](#) of use.

Datasheets & Catalog Pages

[OSFP Cages, Connectors, and Cable Assemblies \(English\)](#)

English

Product Specifications

[Application Specification](#)

English

Product Environmental Compliance

[Product Compliance](#)

English

[Product Compliance](#)

English