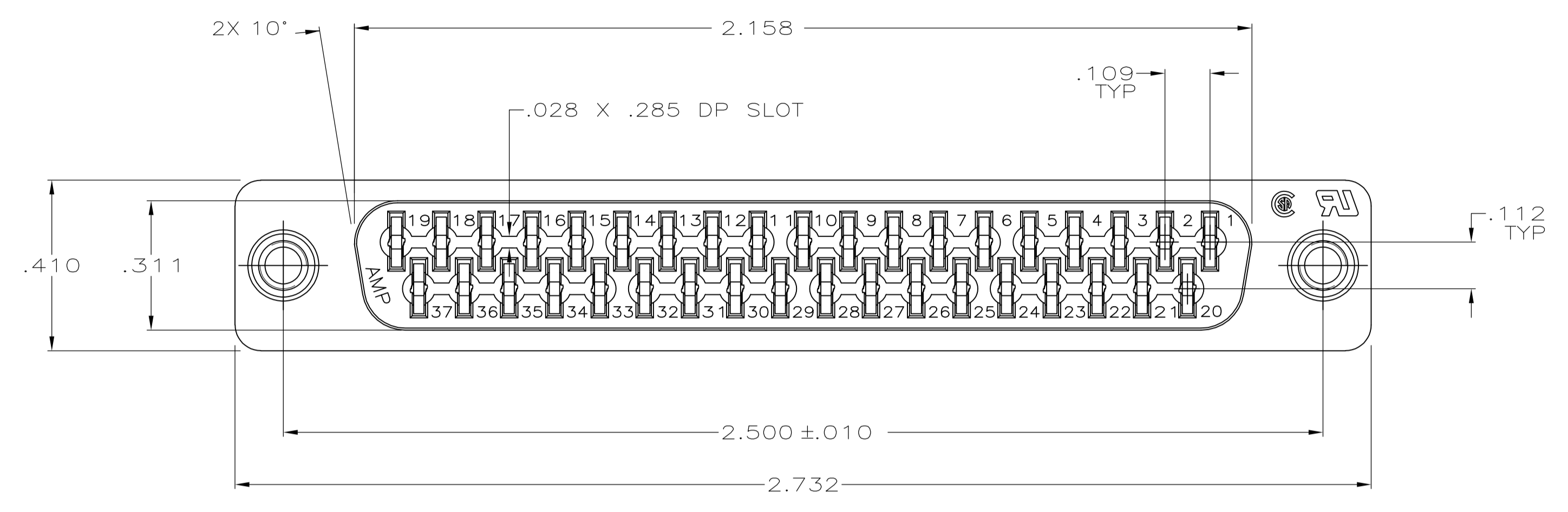
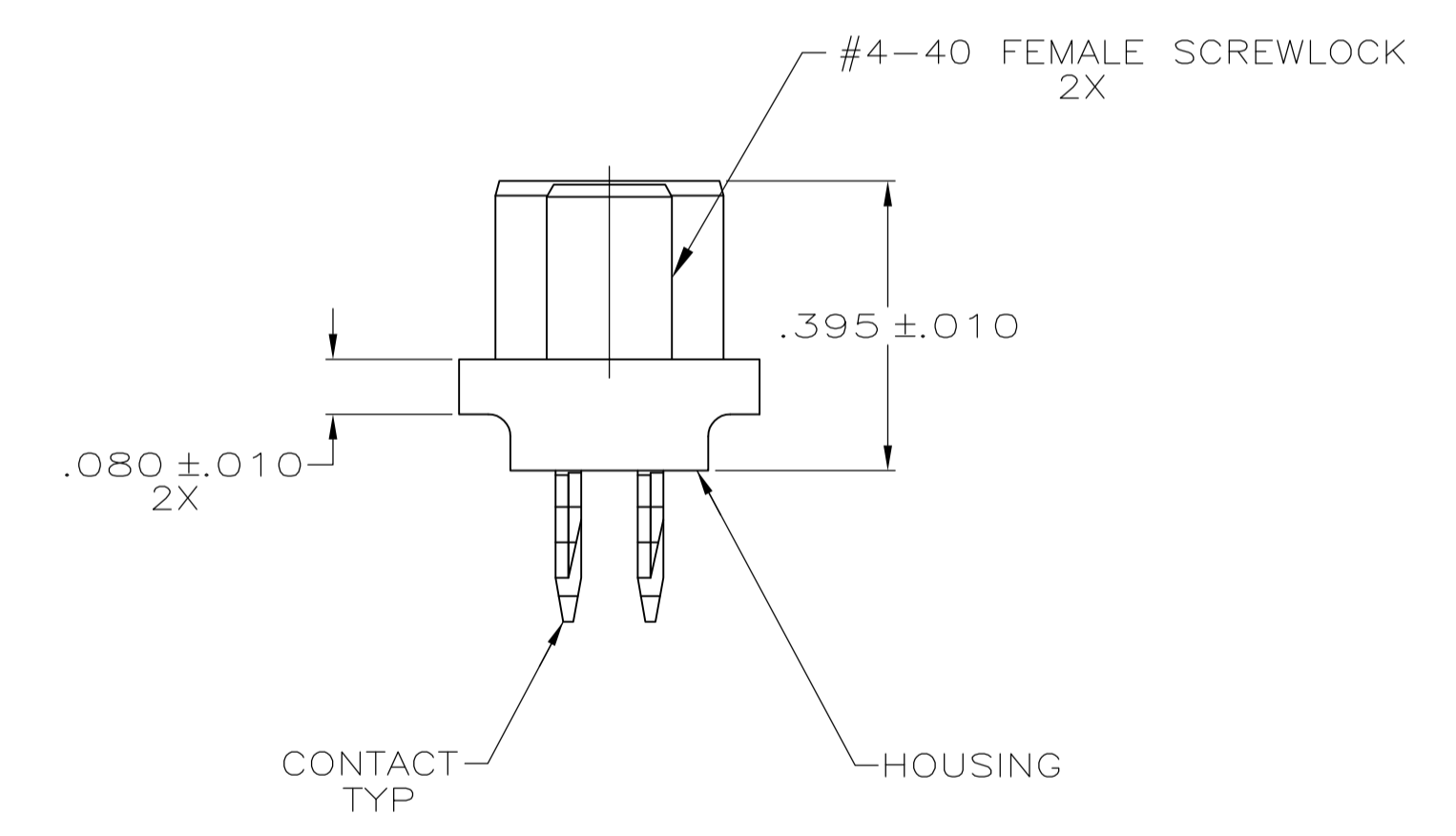
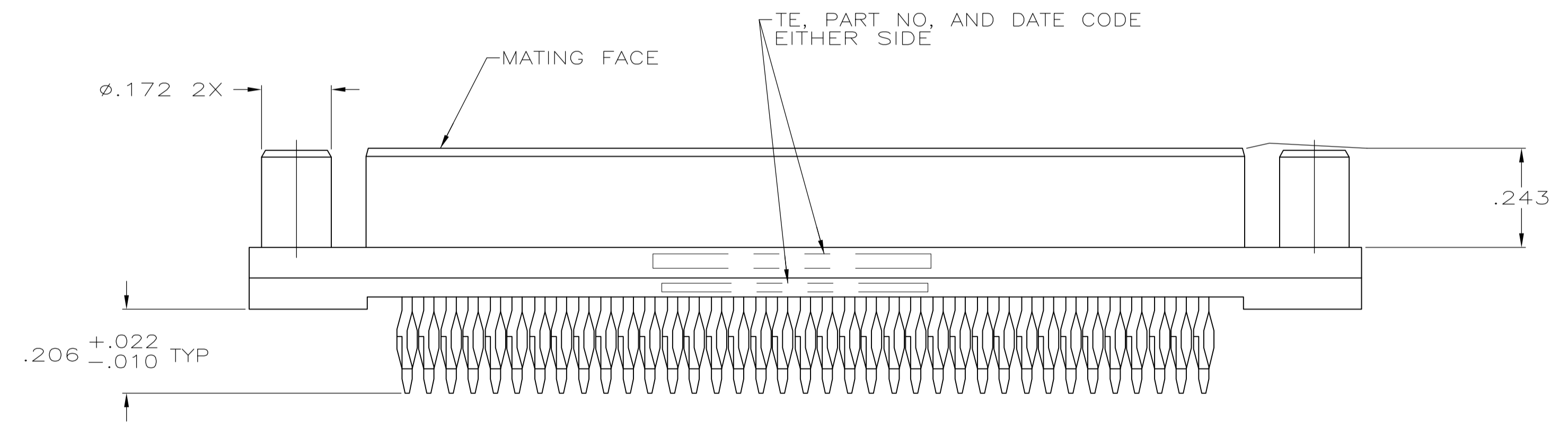


| LOC | | DIST | | REVISIONS | | | |
|-----|----|---------------------------|-----------|-----------|-----|------|--|
| GP | 00 | REV | DATE | BY | CHK | APPV | |
| C | | REVISED PER ECO-12-000090 | 26JAN2012 | CJV | SLB | | |



- 1 FOR USE WITH .093 MINIMUM THICK PRINTED CIRCUIT BOARD. REFER TO APPLICATION SPECIFICATION FOR PRINTED CIRCUIT BOARD LAYOUT DIMENSIONS AND FINISH RECOMMENDATIONS.
- 2 MATERIAL:
HOUSING: GLASS-FILLED NYLON OR POLYESTER, UL94V-0 RATED.
COLOR: BLACK
CONTACTS: COPPER-NICKEL ALLOY.
SCREWLOCKS: BRASS.
- 3 SCREWLOCKS: .000050 MIN NICKEL OVER COPPER FLASH.
- 4 CONTACTS:
0.76 MICROMETERS [.000030]MIN GOLD IN MATING AREA.
2.54 MICROMETERS [.000100]MIN TIN ON COMPLIANT PIN.
ALL OVER 1.27 MICROMETERS [.000050]MIN NICKEL.
OR
GOLD FLASH OVER PALLADIUM NICKEL.
0.76 MICROMETERS [.000030]MIN TOTAL IN MATING AREA.
2.54 MICROMETERS [.000100]MIN TIN ON COMPLIANT PIN.
ALL OVER 1.27 MICROMETERS [.000050]MIN NICKEL.



5745459-2
PART NUMBER

| | | | | |
|--|--|---------------------------------|---|--|
| THIS DRAWING IS A CONTROLLED DOCUMENT. | | DIN G. PETERS/DTI 04FEB06 | TE Connectivity | |
| DIMENSIONS: INCHES | | CHK S. BOLASH 04FEB06 | | |
| TOLERANCES UNLESS OTHERWISE SPECIFIED: | | APPV M. WALMSLEY 04FEB06 | NAME RECEPTACLE ASSEMBLY, ACTION-PIN, 37 POSITION, HD-20, AMPLIMITE | |
| 0 PLC ± - | | PRODUCT SPEC 108-40014 | SIZE A1 | |
| 1 PLC ± - | | APPLICATION SPEC 114-40026 1 | CAGE CODE 00779 | |
| 2 PLC ± - | | RESTRICTED TO | DRAWING NO 5745459 | |
| 3 PLC ± .005 | | SCALE 4:1 | SHEET 1 OF 1 | |
| 4 PLC ± - | | REV C | REV C | |
| ANGLES ± - | | CUSTOMER DRAWING | | |
| FINISH | | SCALE 4:1 SHEET 1 OF 1 REV C | | |