

ST8500 programmable power line communication modem System on Chip evaluation kit

Data brief



Features

- Power line communication evaluation kit based on ST8500 and STLD1 devices
- Complete power line communication (PLC) reference design, suitable to evaluate several narrow-band PLC protocols (G3, PRIME, etc.) in the frequency range up to 500 kHz
- Modular board architecture
 - ST8500 full performance PLC module including the companion STLD1 line driver
 - STM32 microcontroller mother board for system management, application host controller and interface to PC
 - STEVAL-ISA175V1, wide-range input voltage, 9.4 W power supply board based on VIPER26HD
- Optional 12 - 15 V DC input available for laboratory tests without AC mains connection

Description

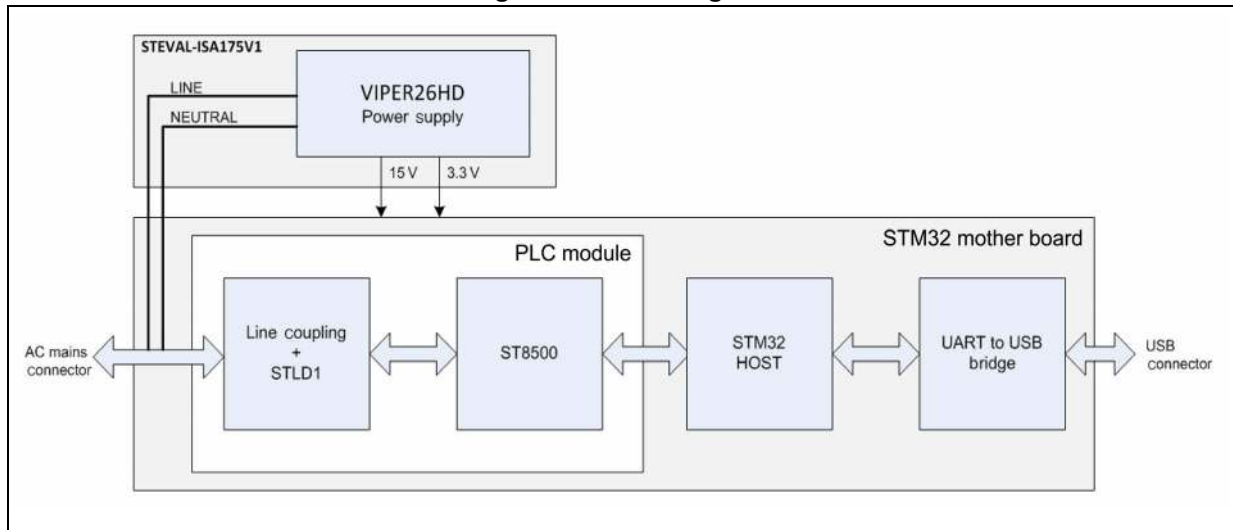
Based on the ST8500 power line communication System on Chip, the EVALKITST8500-1 evaluation kit embeds all the functions required for a turnkey power line communication network.

Depending on the PLC protocol targeted, different firmware releases should be loaded on the host Flash memory. Please check software release availability with your local STMicroelectronics sales office.

Intuitive graphical user interface (GUI) for the Windows® environment allows the user to upgrade the firmware release, configure and control the evaluation kit.

1 Block diagram

Figure 1. Block diagram



2 Revision history

Table 1. Document revision history

Date	Revision	Changes
15-Nov-2017	1	Initial release.

IMPORTANT NOTICE – PLEASE READ CAREFULLY

STMicroelectronics NV and its subsidiaries ("ST") reserve the right to make changes, corrections, enhancements, modifications, and improvements to ST products and/or to this document at any time without notice. Purchasers should obtain the latest relevant information on ST products before placing orders. ST products are sold pursuant to ST's terms and conditions of sale in place at the time of order acknowledgement.

Purchasers are solely responsible for the choice, selection, and use of ST products and ST assumes no liability for application assistance or the design of Purchasers' products.

No license, express or implied, to any intellectual property right is granted by ST herein.

Resale of ST products with provisions different from the information set forth herein shall void any warranty granted by ST for such product.

ST and the ST logo are trademarks of ST. All other product or service names are the property of their respective owners.

Information in this document supersedes and replaces information previously supplied in any prior versions of this document.

© 2017 STMicroelectronics – All rights reserved