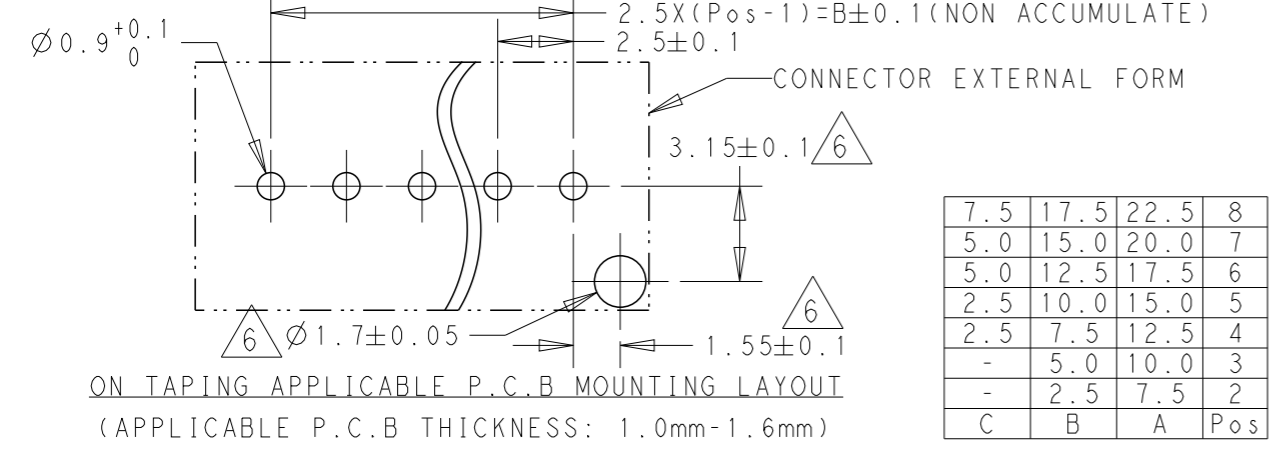
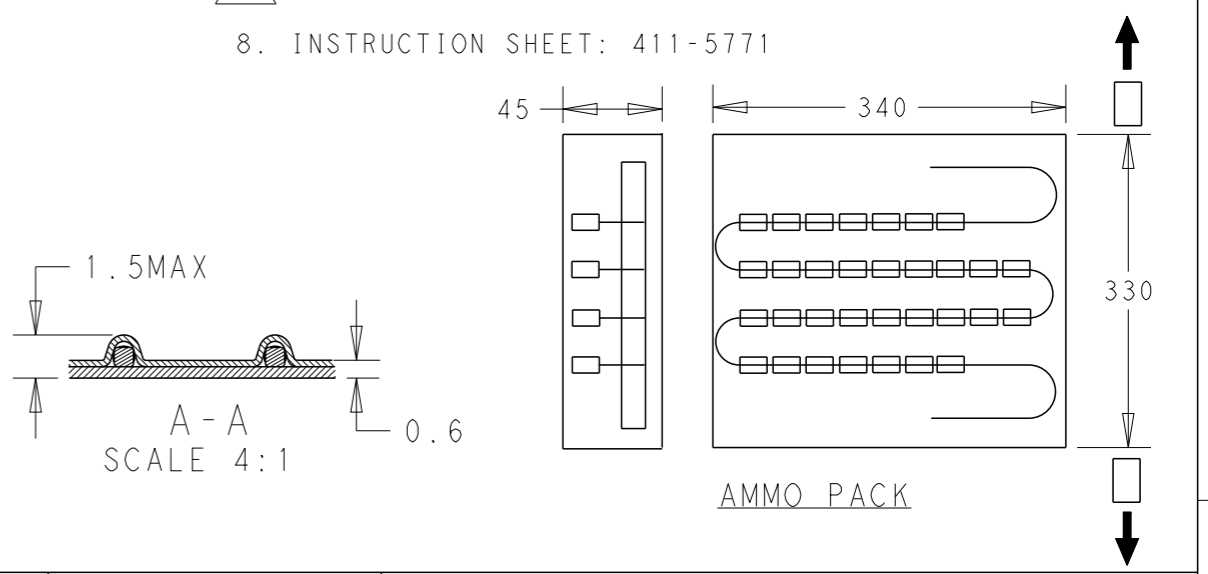
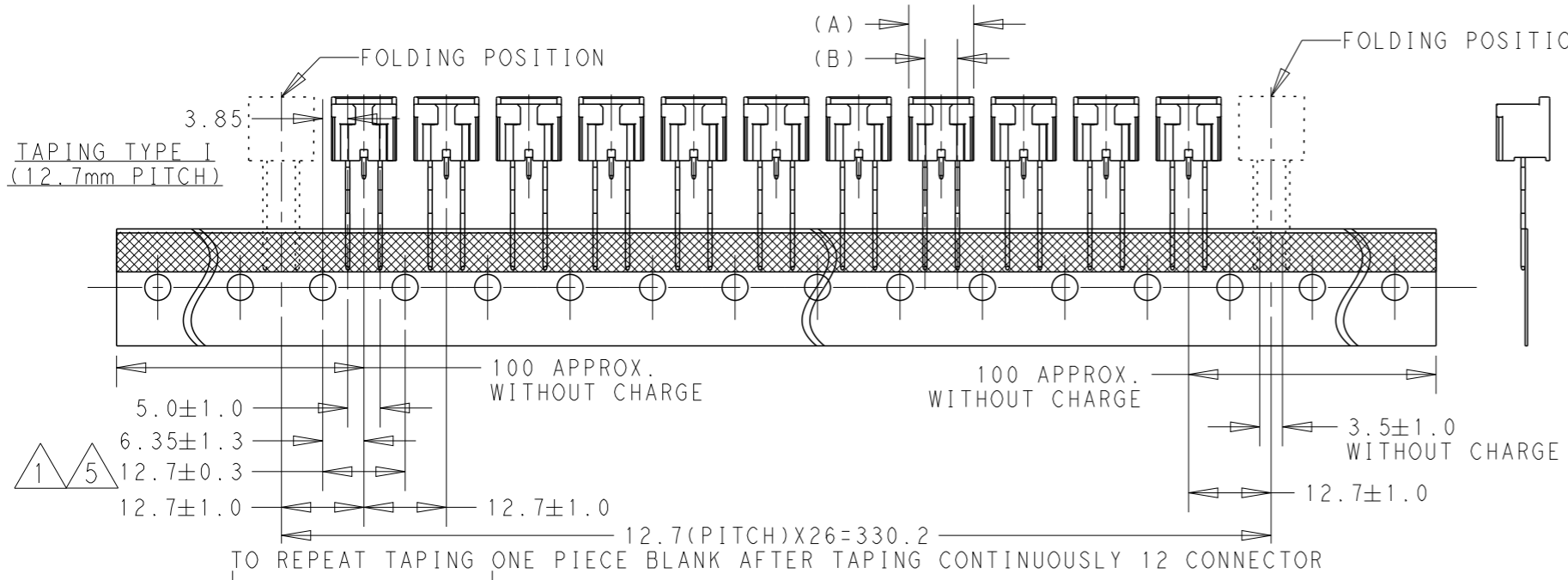
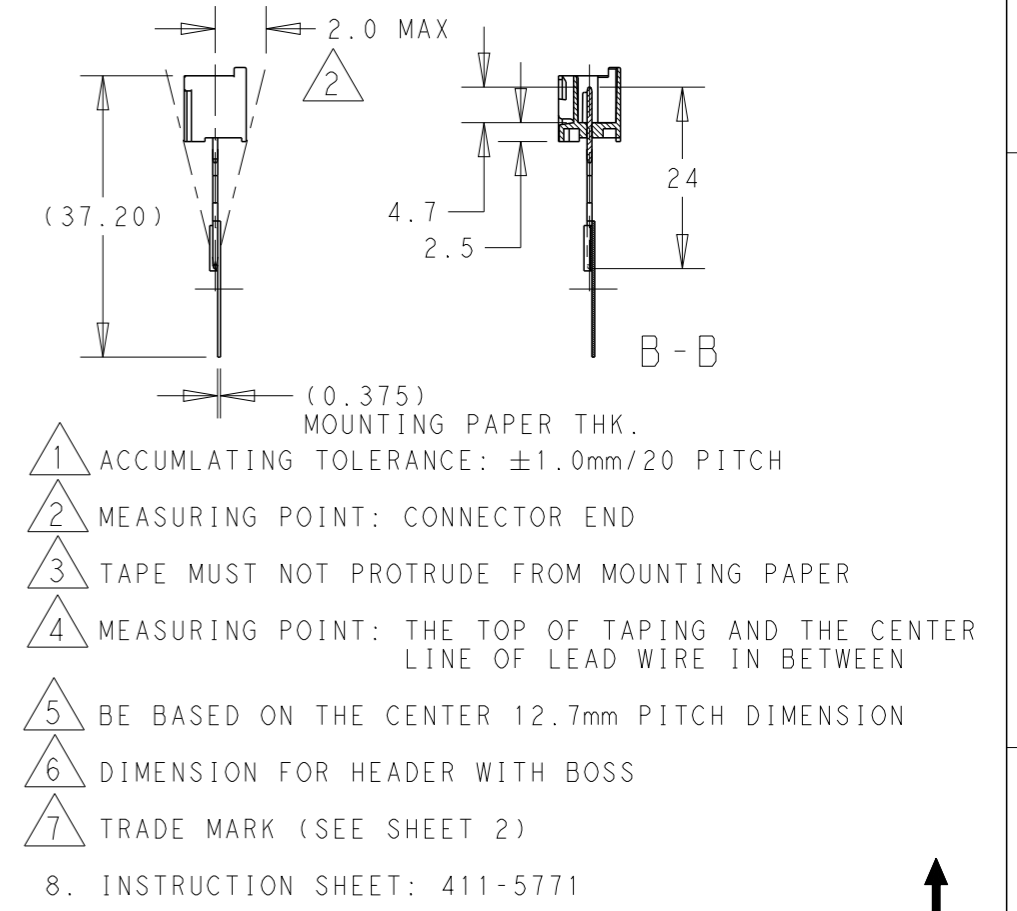
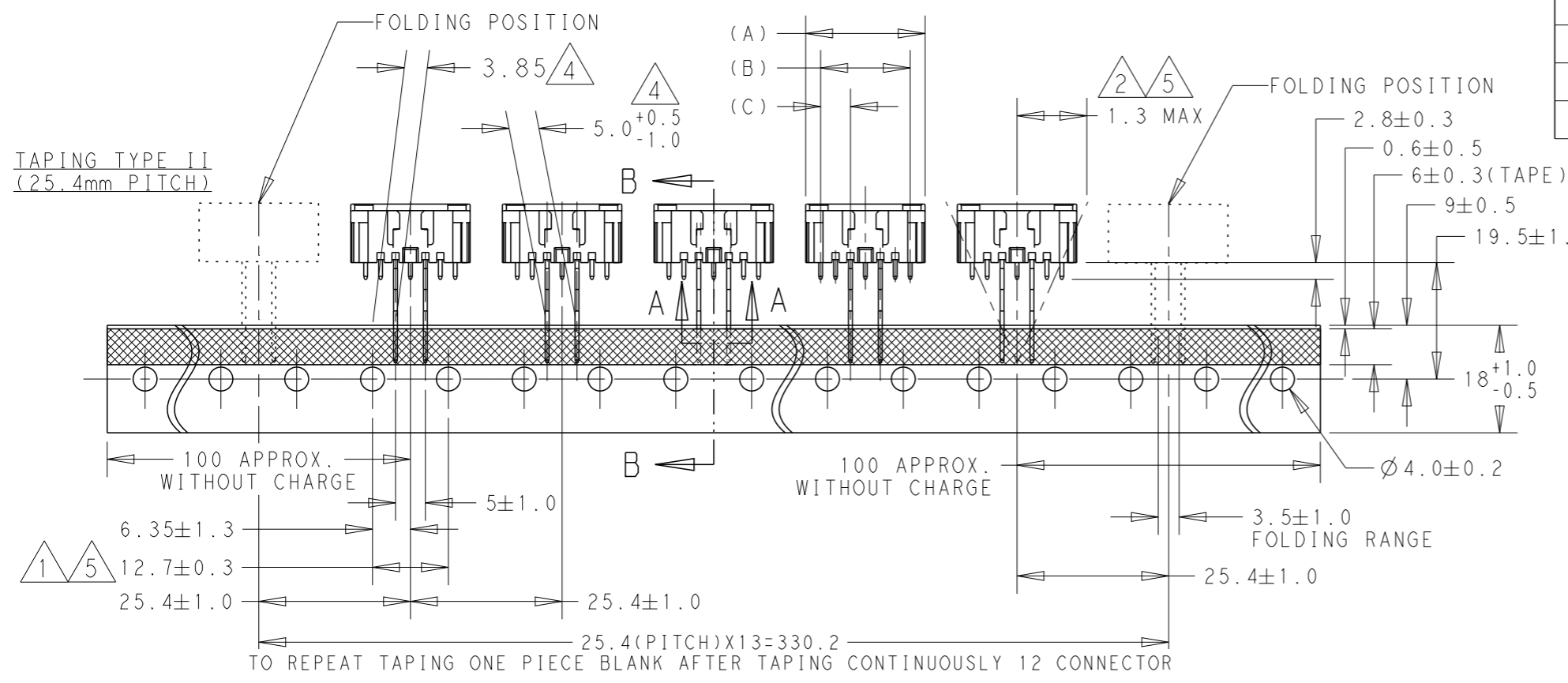


THIS DRAWING IS UNPUBLISHED. RELEASED FOR PUBLICATION 2017
 © COPYRIGHT 2017 BY - ALL RIGHTS RESERVED.

REVISIONS					
P	LTR	DESCRIPTION	DATE	DWN	APVD
	H3	REVISED PER ECR-17-000150	11JAN2017	K.S	D.Z
	H4	REVISED PER ECR-23-172621	22MAY2023	SK	DZ



THIS DRAWING IS A CONTROLLED DOCUMENT.

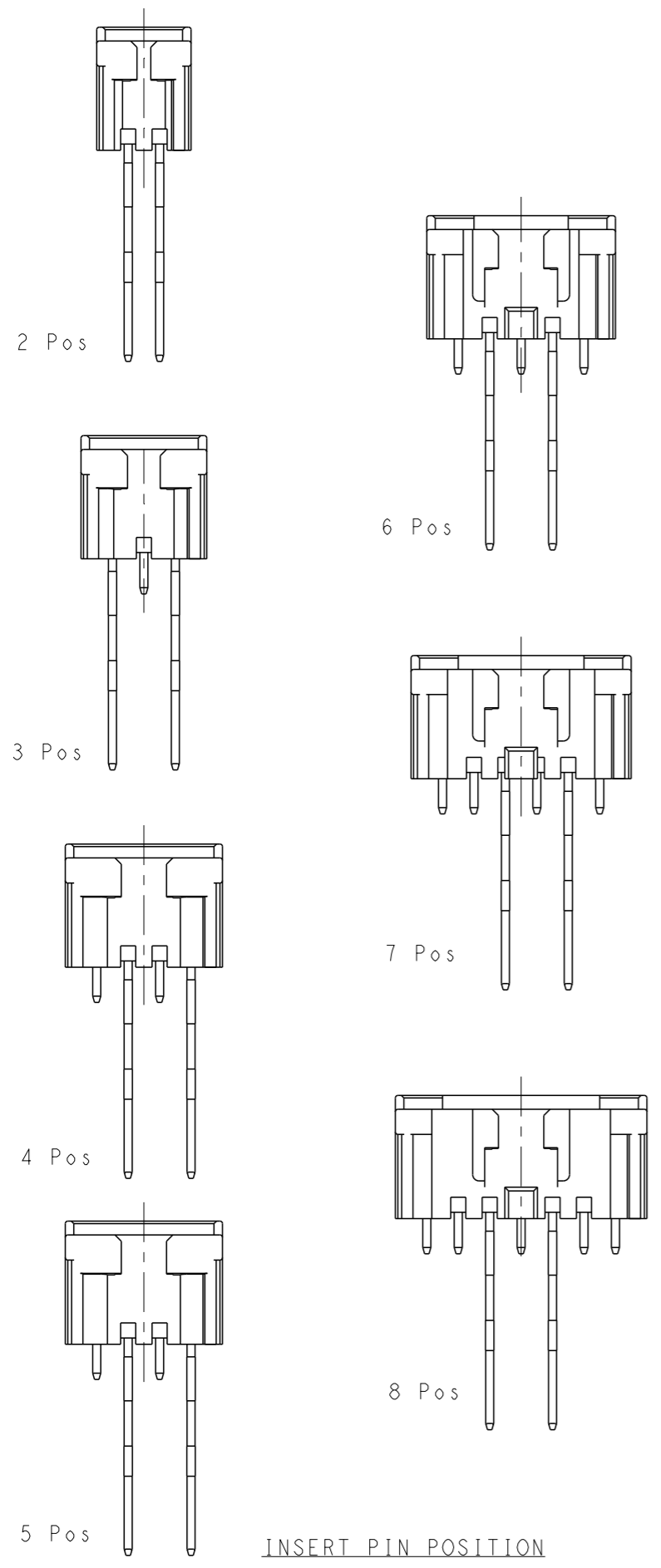
DIMENSIONS:	TOLERANCES UNLESS OTHERWISE SPECIFIED:
mm	0 PLC ± ~10±0.2
	1 PLC ± 10~30±0.25
	2 PLC ± 30~100±0.3
	3 PLC ±
	4 PLC ±
	ANGLES ±3°
	FINISH

MATERIAL SEE TABLE 2

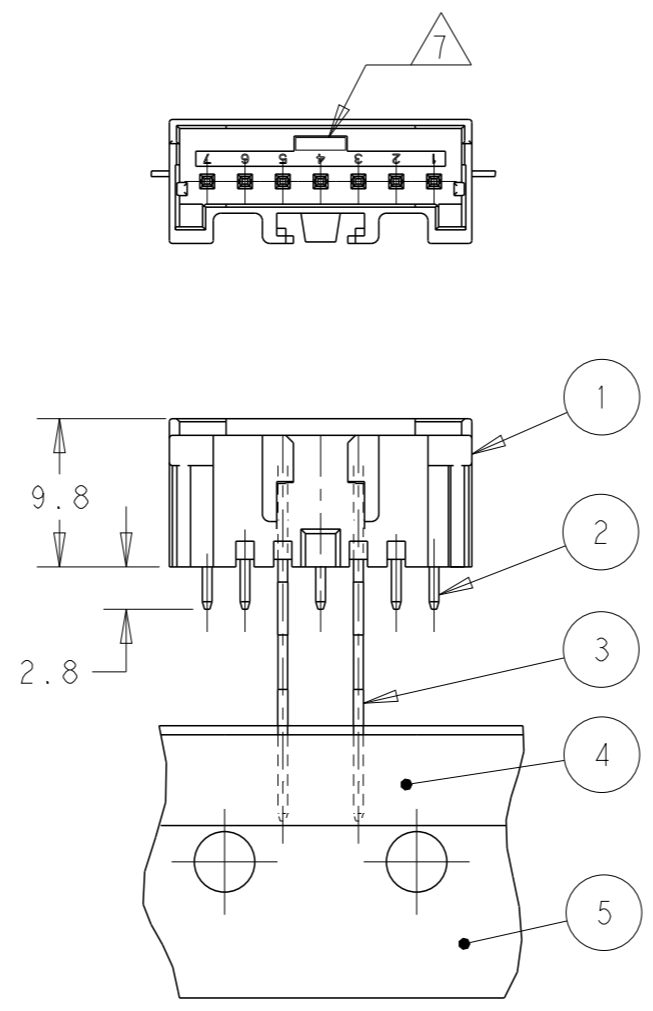
DWN	K. SAKAI	11JAN2017	 TE Connectivity	NAME ON TAPING 2.5mm SIGNAL DOUBLE LOCK STANDARD TYPE HEADER ASSEMBLY						
CHK	DANIEL ZHANG	11JAN2017								
APVD	DANIEL ZHANG	11JAN2017								
PRODUCT SPEC	108-5459									
APPLICATION SPEC	-		SIZE	A3	CAGE CODE	-	DRAWING NO	917894	RESTRICTED TO	-
WEIGHT	-		CUSTOMER DRAWING	SCALE	1:1	SHEET	1 OF 2	REV	H4	

THIS DRAWING IS UNPUBLISHED. RELEASED FOR PUBLICATION 2017
 © COPYRIGHT 2017 BY - ALL RIGHTS RESERVED.

REVISIONS					
P	LTR	DESCRIPTION	DATE	DWN	APVD
	-	SEE SHEET 1	-	-	-



INSERT PIN POSITION



ITEM NO.	NAME	MATERIAL & FINISH
①	HEADER HOUSING	66 NAYLON GLASS FILLED CTI: 250 ~ 399
②	POST CONTACT	PRE-TIN COPPER ALLOY
③	RADIALPIN	PRE-TIN COPPER ALLOY
④	TAPE	THERMAL PAPER
⑤	MOUNTING PAPER	CRAFT PAPER

	WITHOUT	NATURAL	II	450	8	917900-1
	WITHOUT	YELLOW	II	450	7	917899-4
	WITH	RED	II	450	7	3-917899-2
OBSOLETE	WITH	NATURAL	II	450	7	3-917899-1
	WITHOUT	NATURAL	II	450	7	917899-1
	WITHOUT	NATURAL	II	450	6	917898-1
	WITHOUT	RED	II	450	5	917897-2
	WITHOUT	NATURAL	II	450	5	917897-1
	WITHOUT	NATURAL	II	450	4	917896-1
	WITHOUT	BLACK	I	900	3	917895-9
	WITHOUT	BLUE	I	900	3	917895-6
OBSOLETE	WITHOUT	RED	I	900	3	917895-2
	WITHOUT	NATURAL	I	900	3	917895-1
	WITHOUT	BLUE	I	900	2	917894-6
	WITHOUT	NATURAL	I	900	2	917894-1
	BOSS	COLOR	TAPING TYPE	QTY	Pos	P/N (ON TAPING)

THIS DRAWING IS A CONTROLLED DOCUMENT.

DWN K.SAKAI 11JAN2017
 CHK DANIEL ZHANG 11JAN2017
 APVD DANIEL ZHANG 11JAN2017

PRODUCT SPEC 108-5459
 APPLICATION SPEC -

WEIGHT -

CUSTOMER DRAWING

SCALE 2:1 SHEET 2 OF 2 REV H4

STE TE Connectivity

NAME ON TAPING 2.5mm SIGNAL DOUBLE LOCK STANDARD TYPE HEADER ASSEMBLY

SIZE A3 CAGE CODE - DRAWING NO. C-917894 RESTRICTED TO -

DIMENSIONS:	TOLERANCES UNLESS OTHERWISE SPECIFIED:
mm	
0 PLC	±
1 PLC	±
2 PLC	±
3 PLC	±
4 PLC	±
ANGLES	±3°
FINISH	-
	-