

THIS DRAWING IS UNPUBLISHED.

RELEASED FOR PUBLICATION

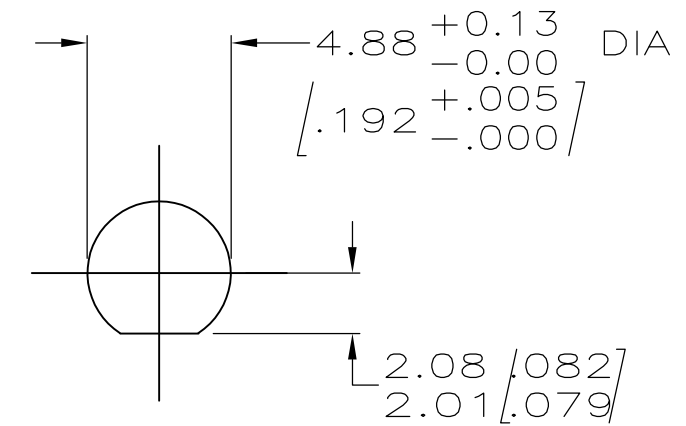
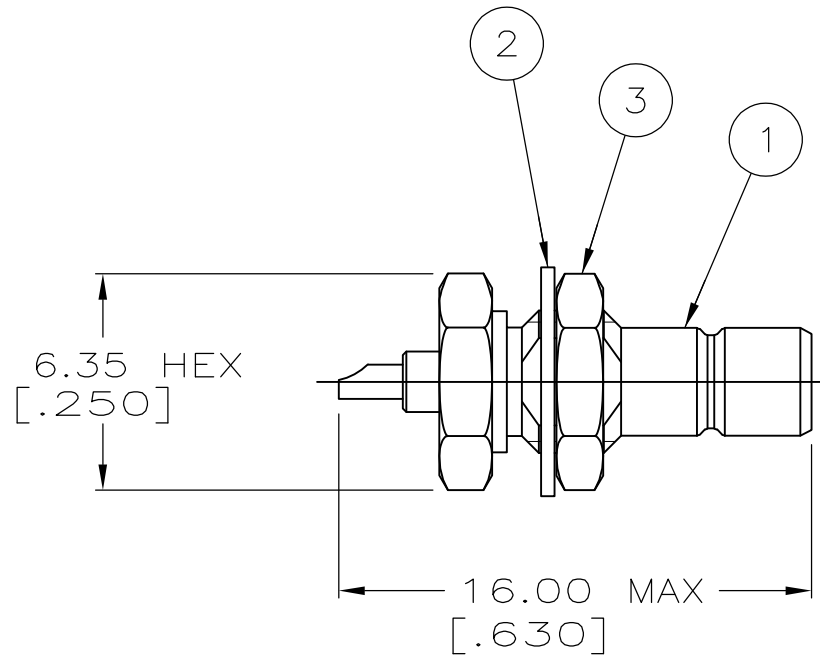
-. - .

© COPYRIGHT - TE Connectivity

ALL RIGHTS RESERVED.

REVISIONS

P	LTR	DESCRIPTION	DATE	DWN	APVD
	E1	ECR-17-009545	17JUL2017	AS	RS



SUGGESTED PANEL CUT-OUT

OBSOLETE	51766-2	51765-2	228218-2	228215-2
OBSOLETE	414969-2	415001-2	228218-1	228215-1
	③ JAM NUT QTY=1	② LOCKWASHER QTY=1	① BULKHEAD ASSEMBLY QTY=1	PART NUMBER

THIS DRAWING IS A CONTROLLED DOCUMENT.		DWN J. GALLUCCI BG 4-23-92	STE TE Connectivity	
		CHK B. WERNER 5-3-92		
DIMENSIONS: INCHES	TOLERANCES UNLESS OTHERWISE SPECIFIED:	APVD G. MICHAEL 5-3-92	NAME	
	0 PLC ± -	PRODUCT SPEC B. WERNER 5-6-92	CONNECTOR, COAXIAL, R.F. SERIES SMB REAR MOUNT BULKHEAD RECEPTACLE	
	1 PLC ± -	APPLICATION SPEC	SIZE	CAGE CODE
	2 PLC ± -		DRAWING NO	
	3 PLC ± -		RESTRICTED TO	
	4 PLC ± -		-	
	ANGLES ± -	WEIGHT 0.000000	A3 00779 C-228215	
MATERIAL	FINISH	CUSTOMER DRAWING		SCALE 4:1
-	-	SHEET 1 OF 1		REV E1