

6

5

4

3

2

1

REVISIONS					
REV.	ECR#	ZONE	DESCRIPTION	CHANGED BY/DATE	APPROVED BY/DATE
AA			INITIAL RELEASE	K.S. 04-29-11	K.S. 04-29-11

VENTED CAP FOR INVERTED MOUNTING



Ø 31.67±0.50



Ø 25.40±0.50

451.0±2.3

DRAIN SLOTS
2X

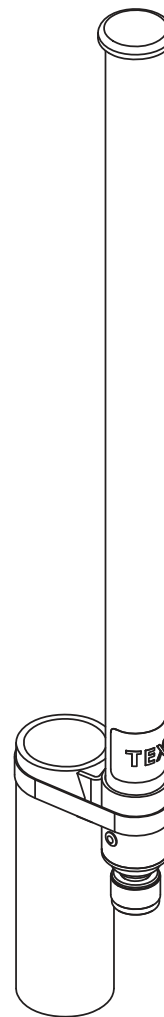
25.4±0.3

Ø 21.0 MAX


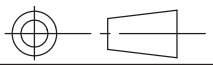
DETAIL A
SCALE 1:1

TYPE-N, MALE
CONNECTOR,
(COUPLING NUT
SPINS FREELY)

TEXT



Parameter	Performance
Model Number	OC515010H-FNM
Frequency	5150-5875MHz
Gain	9dBi
Polarization	Linear, Horizontal
VSWR	2.0:1
E-Plane 3dB Beamwidth	Omnidirectional
H-Plane 3dB Beamwidth	9.5°
RF Connector	Type N, Male, Fixed, Tri-Metal
Power	10 Watts
Weight	0.18kg
Radome	Polycarbonate, UV, White
Operational Temperature	-30°C to +70°C
Storage Temperature	-40°C to +85°C
Mounting	Connector Fixed or Mast Mount Kit, Upright and Inverted Orientation

MATERIAL: N/A		THIRD ANGLE PROJECTION			
FINISH: N/A		 DO NOT SCALE DRAWING			
APPROVALS		DATE		TITLE: OC515010H-FNM	
DRAWN BY	K. SEARL	08-04-10		SIZE A3	
PROJ. ENG.	T. PETROPOULOS	04-29-11			
APPL. MECH.	K. SEARL	04-29-11			
MFG.	B. THATCHER	04-29-11			
INTERPRET DIMENSIONING AND TOLERANCING IN ACCORDANCE WITH ASME Y14.5M-2009 TOLERANCES UNLESS OTHERWISE SPECIFIED DIMENSIONS ARE IN MILLIMETERS		ANGLE: ±30° 0 PLACE DECIMAL: ±0.5 1 PLACE DECIMAL: ±0.25 2 PLACE DECIMAL: ±0.13 SURFACE ROUGHNESS $\sqrt{1.6}$		DWG. NO. OC515010H-FNMMO	
THIS DRAWING IS UNPUBLISHED.		RELEASED FOR PUBLICATION - , -		REV AA	
© Copyright 2022 TE Connectivity Ltd.		ALL RIGHTS RESERVED.		SCALE: 1:3 PREVIOUS# SHEET 1 OF 1	

6

5

4

3

2

1