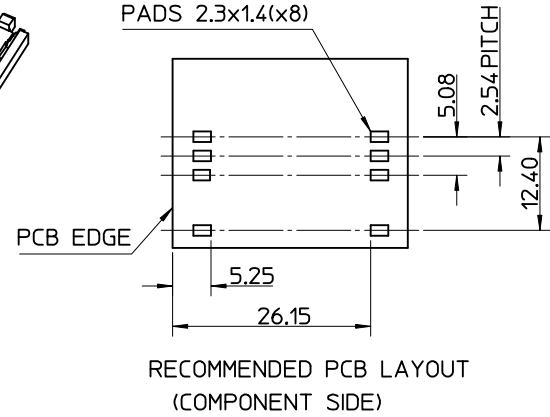
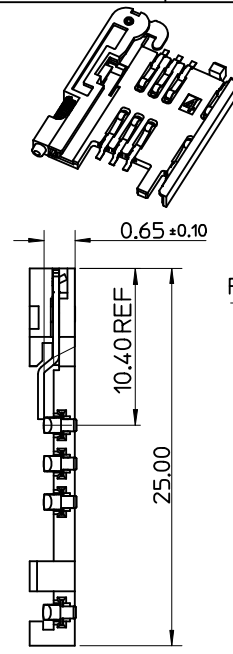
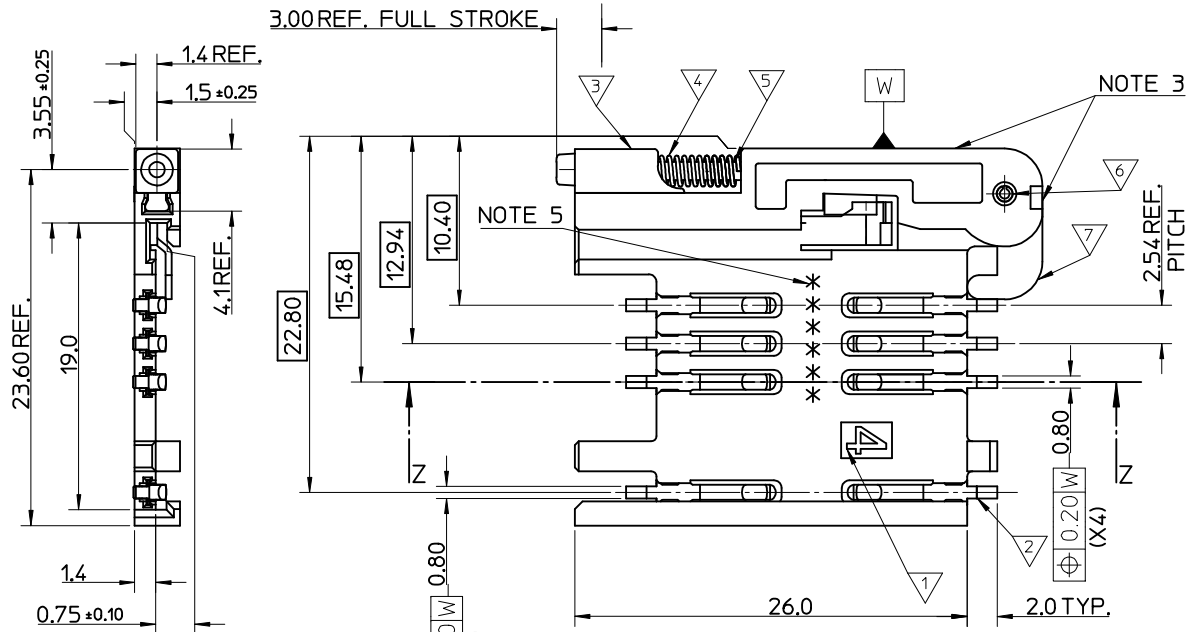
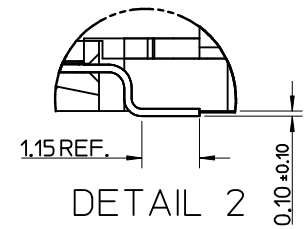
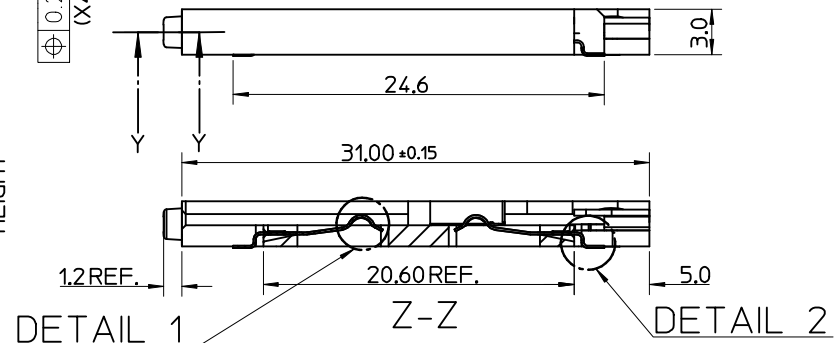
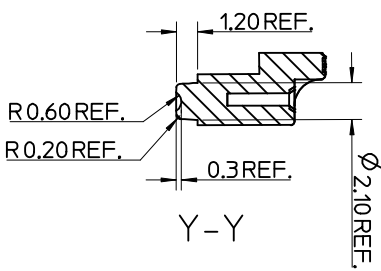
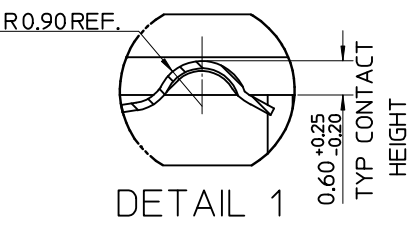


MATERIAL NUMBER	DESCRIPTION
912283001	REELED ONTO CARDBOARD REEL
912283019	REELED ONTO PLASTIC REEL



- NOTES:
- SEE PRODUCT SPECIFICATION PS-99020-0071.
  - PACKAGING: TAPE & REEL, FOR DETAIL SEE SDA-91228-9001, SHEET 1
  - PUSH ROD/LEVER MUST NOT PROTRUDE BEYOND HOUSING EDGE IN THIS AREA.
  - TAILS ON EACH SIDE OF CONNECTOR TO LIE WITHIN 0.12 mm OF EACH OTHER
  - DATECODE: (YEAR, WEEK, WEEK, DAY, HOUR, HOUR)



ITEM	COMPONENT	QTY	MATERIAL
▽	HOUSING	1	LIQUID CRYSTAL POLYMER (LCP) 30% GLASS FILL, JL94 V-O, COLOUR: BLACK
▽	TERMINAL	8	0.15 PHOSPHOR BRONZE, 0.14µm MIN Au OVER Pd/Ni IN CONTACT AREA 2.54µm MIN Sn ON SMT TAILS
▽	PUSH BUTTON	1	GF POLYAMIDE 6T/66, YELLOW
▽	COIL SPRING	1	0.25 REF THK STAINLESS STEEL
▽	PUSH ROD	1	0.4 REF THK STAINLESS STEEL
▽	C-PIN	1	STEEL
▽	LEVER	1	0.4 REF THK STAINLESS STEEL

OBSOLETE P/N  
EC NO: IPG2017-0662  
DRW: KOBRIEN01 2017/01/10  
CHKD:  
APPR: STGRIFFIN 2017/03/24

QUALITY SYMBOLS  
▽ = 0  
◻ = 0

GENERAL TOLERANCES (UNLESS SPECIFIED)

	mm	INCH
4 PLACES	± ---	± ---
3 PLACES	± ---	± ---
2 PLACES	± 0.05	± ---
1 PLACE	± 0.1	± ---

ANGULAR ± 2 °

DRAFT WHERE APPLICABLE MUST REMAIN WITHIN DIMENSIONS

DIMENSION STYLE  
MM ONLY

SCALE  
5:1

DESIGN UNITS  
METRIC

THIRD ANGLE PROJECTION

DRAWN BY: RFORREY  
DATE: 2006/11/27

CHECKED BY: FDUGGAN  
DATE: 2006/11/27

APPROVED BY: EFOLAN  
DATE: 2006/11/27

MATERIAL NO.  
SEE TABLE

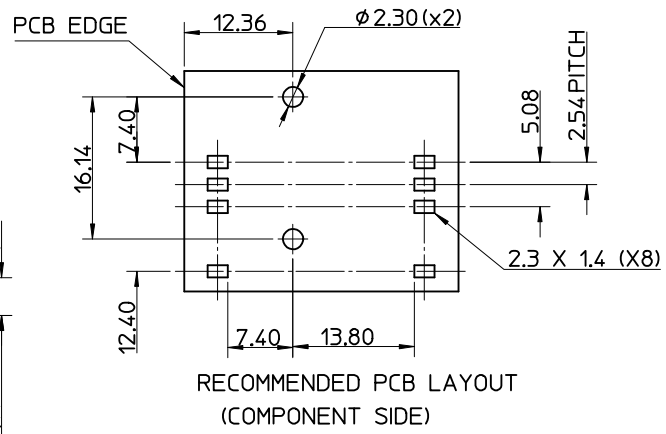
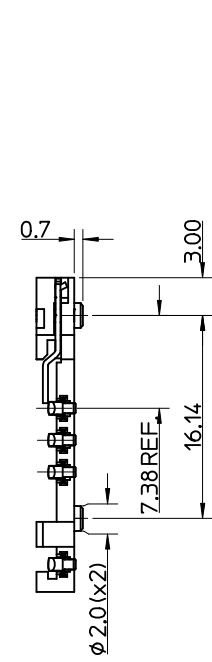
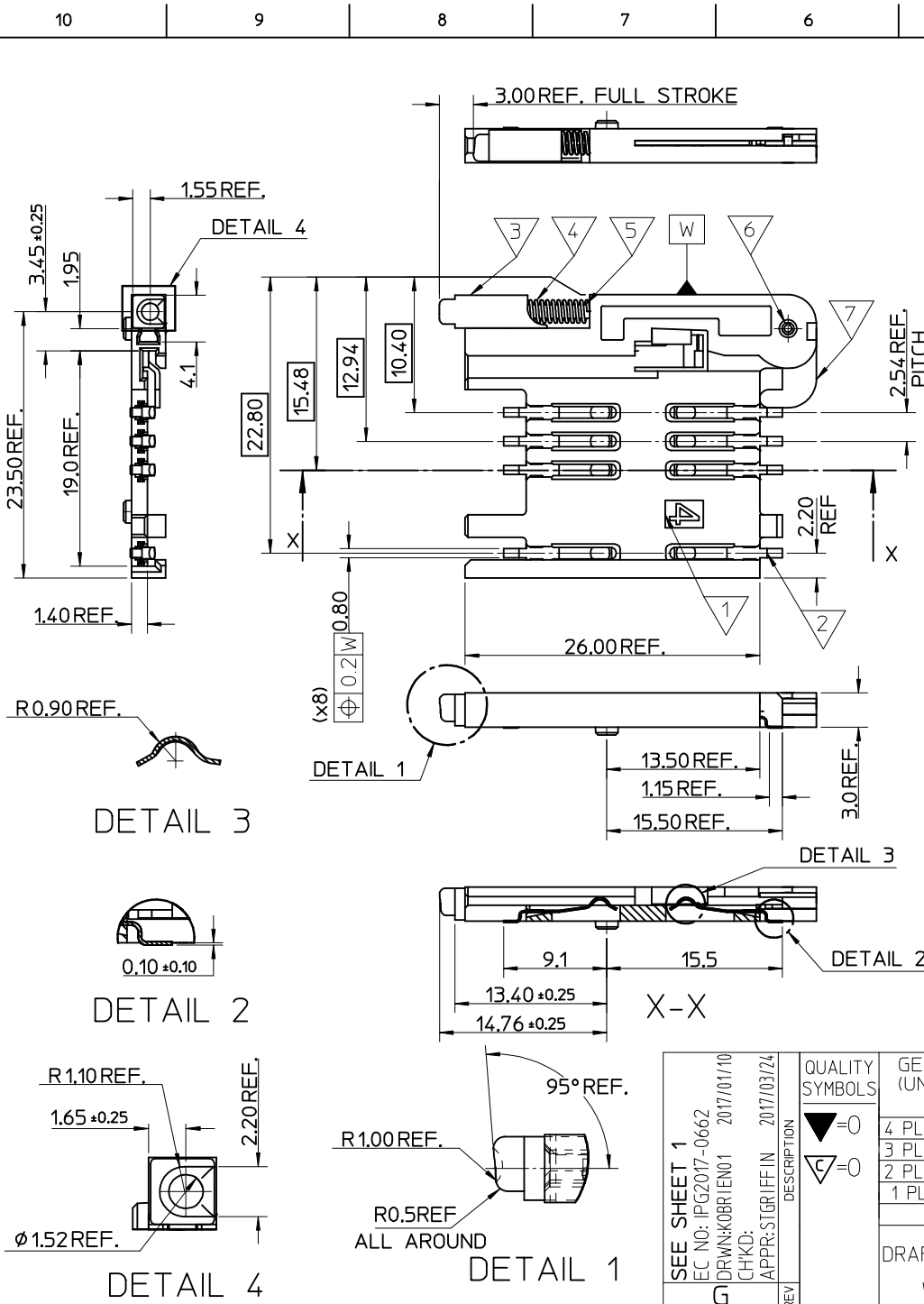
TITLE  
SIM CONNECTOR ASSY

MOLEX INCORPORATED

DOCUMENT NO. SD-91228-001

SHEET NO. 1 OF 5

THIS DRAWING CONTAINS INFORMATION THAT IS PROPRIETARY TO MOLEX INCORPORATED AND SHOULD NOT BE USED WITHOUT WRITTEN PERMISSION



- NOTES:
1. SEE PRODUCT SPECIFICATION PS-99020-0071.
  2. PACKAGING: TAPE & REEL, FOR DETAIL SEE SDA-91228-9001, SHEET 1
  3. FOR ALL UNSPECIFIED DIMENSIONS AND NOTES SEE SHEET 1.

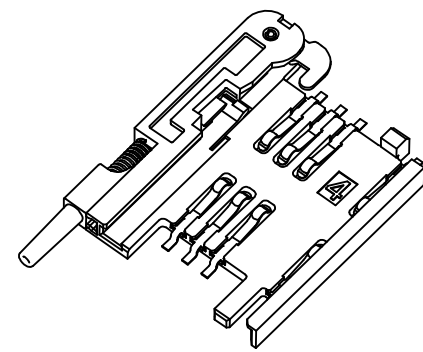
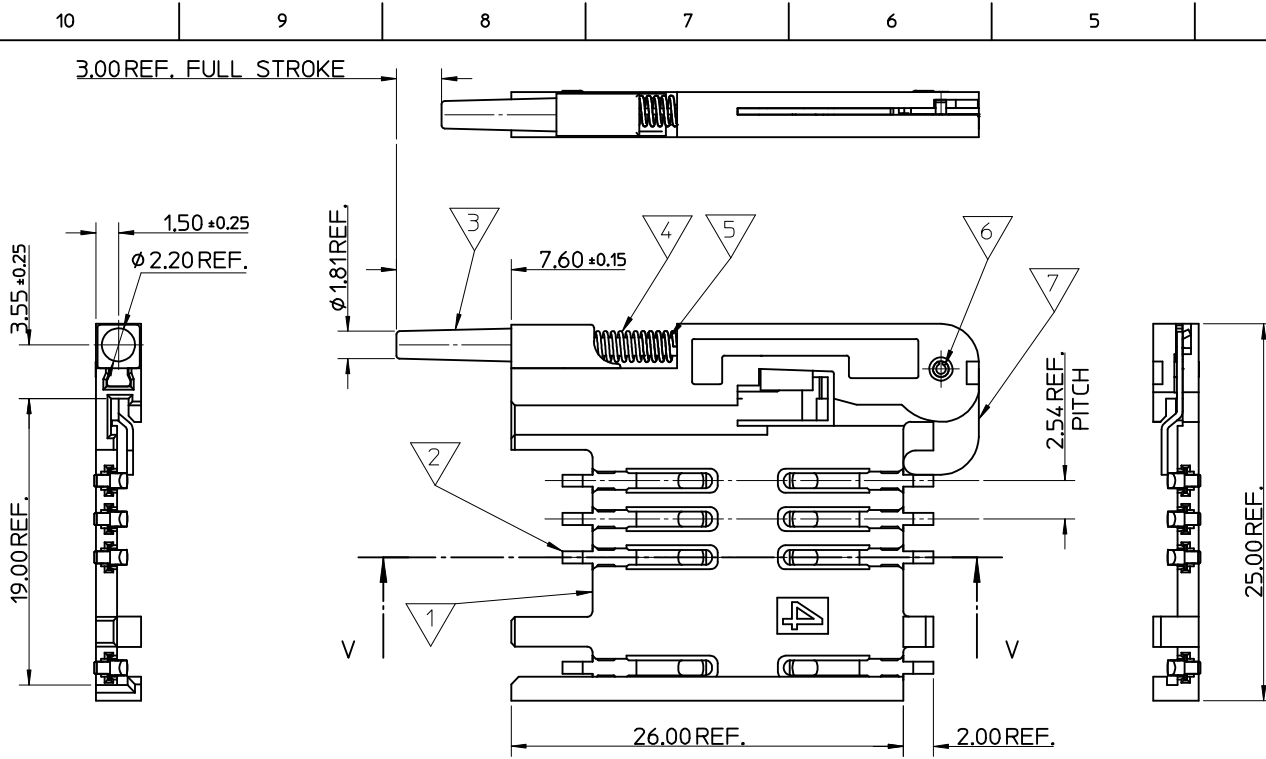
ITEM	COMPONENT	QTY	MATERIAL
▽	HOUSING		LIQUID CRYSTAL POLYMER (LCP) 30% GLASS FILL, UL94 V-0, COLOUR: BLACK
▽	TERMINAL		0.15 PHOSPHOR BRONZE. 0.14m MIN Au OVER Pd/Ni IN CONTACT AREA 2.54m MIN Sn ON SMT TAILS
▽	PUSH BUTTON		GF POLYAMIDE 6T/66. BLACK.
▽	COIL SPRING		0.25 REF THK STAINLESS STEEL
▽	PUSH ROD		0.4 REF THK STAINLESS STEEL
▽	C-PIN		STEEL
▽	LEVER		0.4 REF THK STAINLESS STEEL

SEE SHEET 1	QUALITY SYMBOLS
EC NO: PG2017-0662	▽=0
DRWN: KOBRI/EN01 2017/01/10	▽=0
CHKD:	
APPR: STGR/FFIN 2017/03/24	
REV	DESCRIPTION

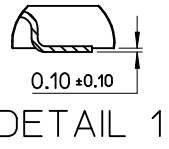
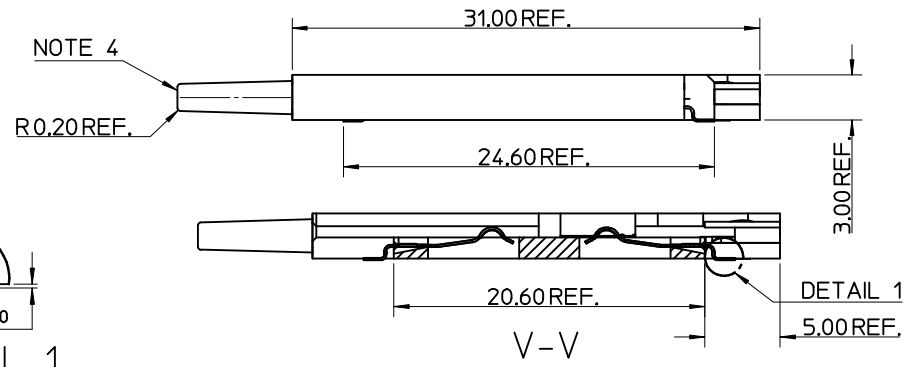
GENERAL TOLERANCES (UNLESS SPECIFIED)	
4 PLACES	± 0.15
3 PLACES	± 0.20
2 PLACES	± 0.25
1 PLACE	± 0.30
ANGULAR ± 2°	
DRAFT WHERE APPLICABLE MUST REMAIN WITHIN DIMENSIONS	

DIMENSION STYLE	
MM ONLY	
DRAWN BY	DATE
RFORREY	2006/11/27
CHECKED BY	DATE
FUGGAN	2006/11/27
APPROVED BY	DATE
EFOLAN	2006/11/27
MATERIAL NO.	
912283002	

SCALE	DESIGN UNITS	THIRD ANGLE PROJECTION	
5:1	METRIC		
TITLE			
SIM CONNECTOR ASSY			
MOLEX INCORPORATED			
DOCUMENT NO.		SHEET NO.	
SD-91228-001		2 OF 5	
THIS DRAWING CONTAINS INFORMATION THAT IS PROPRIETARY TO MOLEX INCORPORATED AND SHOULD NOT BE USED WITHOUT WRITTEN PERMISSION			

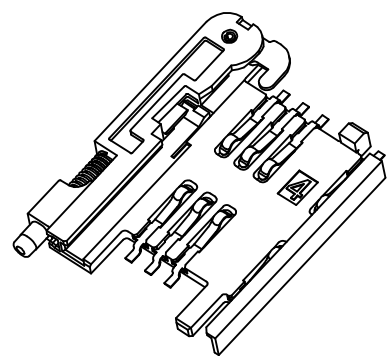
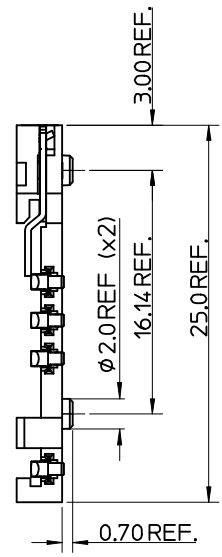
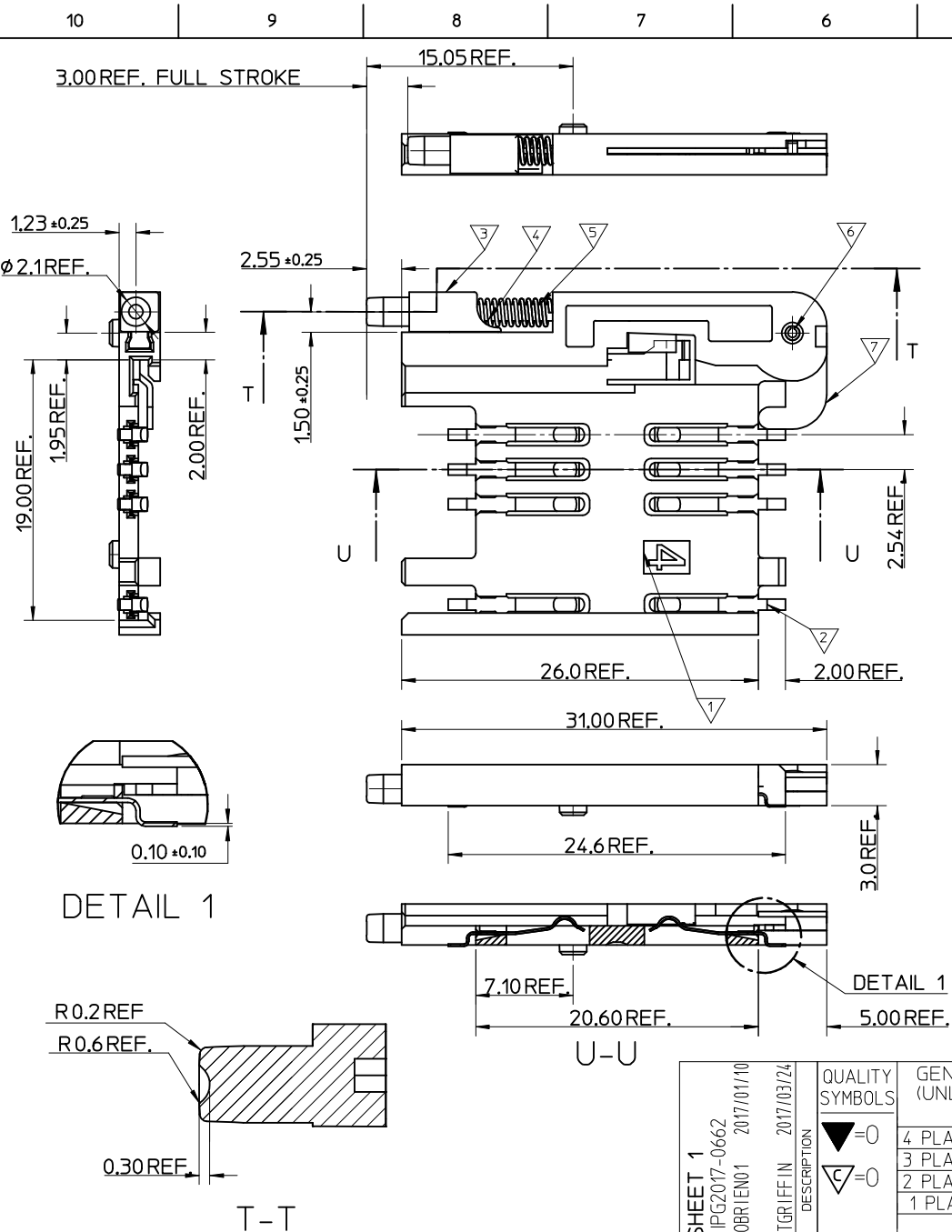


- NOTES:
1. SEE PRODUCT SPECIFICATION PS-91228-004.
  2. PACKAGING: TAPE & REEL, FOR DETAIL SEE SDA-91228-9001, SHEET 2.
  3. SEE SHEET 1 FOR ALL UNSPECIFIED NOTES AND DIMENSIONS.
  4. ALLOWABLE FLASH IN THIS AREA 0.3mm MAX.



ITEM	COMPONENT	QTY	MATERIAL
1	HOUSING	1	LIQUID CRYSTAL POLYMER (LCP) 30% GLASS FILL, UL94 V-0, COLOUR: BLACK
2	TERMINAL	8	0.15 PHOSPHOR BRONZE. 0.14mm MIN Au OVER Pd/Ni IN CONTACT AREA 2.54mm MIN Sn ON SMT TAILS
3	PUSH BUTTON	1	GF POLYAMIDE 6T/66, NATURAL
4	COIL SPRING	1	0.25 REF THK STAINLESS STEEL
5	PUSH ROD	1	0.4 REF THK STAINLESS STEEL
6	C-PIN	1	STEEL
7	LEVER	1	0.4 REF THK STAINLESS STEEL

SEE SHEET 1 EC NO: IPGZ07-0662 DRW: KOBRIEN01 2017/01/10 CHKD: APPR: STGRIFFIN 2017/03/24	QUALITY SYMBOLS ▽ = 0 ◻ = 0	GENERAL TOLERANCES (UNLESS SPECIFIED)		DIMENSION STYLE MM ONLY		SCALE 5:1	DESIGN UNITS METRIC	THIRD ANGLE PROJECTION	
		4 PLACES	± ---	± ---	DRAWN BY RFORREY	DATE 2006/11/27	TITLE SIM CONNECTOR ASSY		
		3 PLACES	± ---	± ---	CHECKED BY FDUGGAN	DATE 2006/11/27			
		2 PLACES	± 0.05	± ---	APPROVED BY EFOLAN	DATE 2006/11/27	MOLEX INCORPORATED		
1 PLACE	± 0.1	± ---	MATERIAL NO. 912283005		DOCUMENT NO. SD-91228-001	SHEET NO. 3 OF 5			
DRAFT WHERE APPLICABLE MUST REMAIN WITHIN DIMENSIONS				THIS DRAWING CONTAINS INFORMATION THAT IS PROPRIETARY TO MOLEX INCORPORATED AND SHOULD NOT BE USED WITHOUT WRITTEN PERMISSION					



- NOTES:
1. SEE PRODUCT SPECIFICATION PS-99020-0071.
  2. PACKAGING: TAPE & REEL, FOR DETAIL SEE SDA-91228-9001, SHEET 2.
  3. SEE SHEETS 1 & 2 FOR ALL UNSPECIFIED NOTES AND DIMENSIONS.

ITEM	COMPONENT	QTY	MATERIAL
▽	HOUSING	1	LIQUID CRYSTAL POLYMER (LCP) 30% GLASS FILL, UL94 V-0, COLOUR: BLACK
▽	TERMINAL	8	0.15 PHOSPHOR BRONZE, 0.14µm MIN Au OVER Pd/Ni IN CONTACT AREA 2.54µm MIN Sn ON SMT TAILS
▽	PUSH BUTTON	1	GF POLYAMIDE 6T/66, BLACK.
▽	COIL SPRING	1	0.25 REF THK STAINLESS STEEL
▽	PUSH ROD	1	0.4 REF THK STAINLESS STEEL
▽	C-PIN	1	STEEL
▽	LEVER	1	0.4 REF THK STAINLESS STEEL

DETAIL 1

DETAIL 1

T-T

SEE SHEET 1  
EC NO: PG2017-0662  
DRWN: KOBRI/EM01 2017/01/10  
CHKD:  
APPR: STGR/FFIN 2017/03/24

QUALITY SYMBOLS  
▽=0  
▽=0

GENERAL TOLERANCES (UNLESS SPECIFIED)

	mm	INCH
4 PLACES	± ---	± ---
3 PLACES	± ---	± ---
2 PLACES	± 0.05	± ---
1 PLACE	± 0.1	± ---
ANGULAR ± 2 °		

DRAFT WHERE APPLICABLE  
MUST REMAIN  
WITHIN DIMENSIONS

DIMENSION STYLE  
MM ONLY

DRAWN BY: RFORREY  
DATE: 2006/11/27

CHECKED BY: FDUGGAN  
DATE: 2006/11/27

APPROVED BY: EFOLAN  
DATE: 2006/11/27

MATERIAL NO.  
912283006

SCALE  
5:1

DESIGN UNITS  
METRIC

THIRD ANGLE PROJECTION

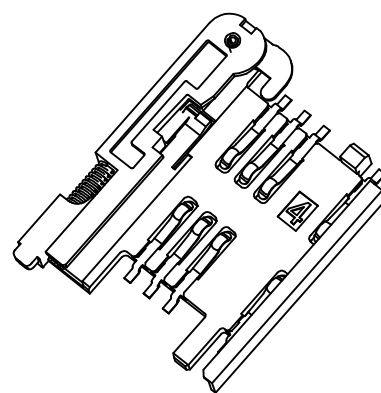
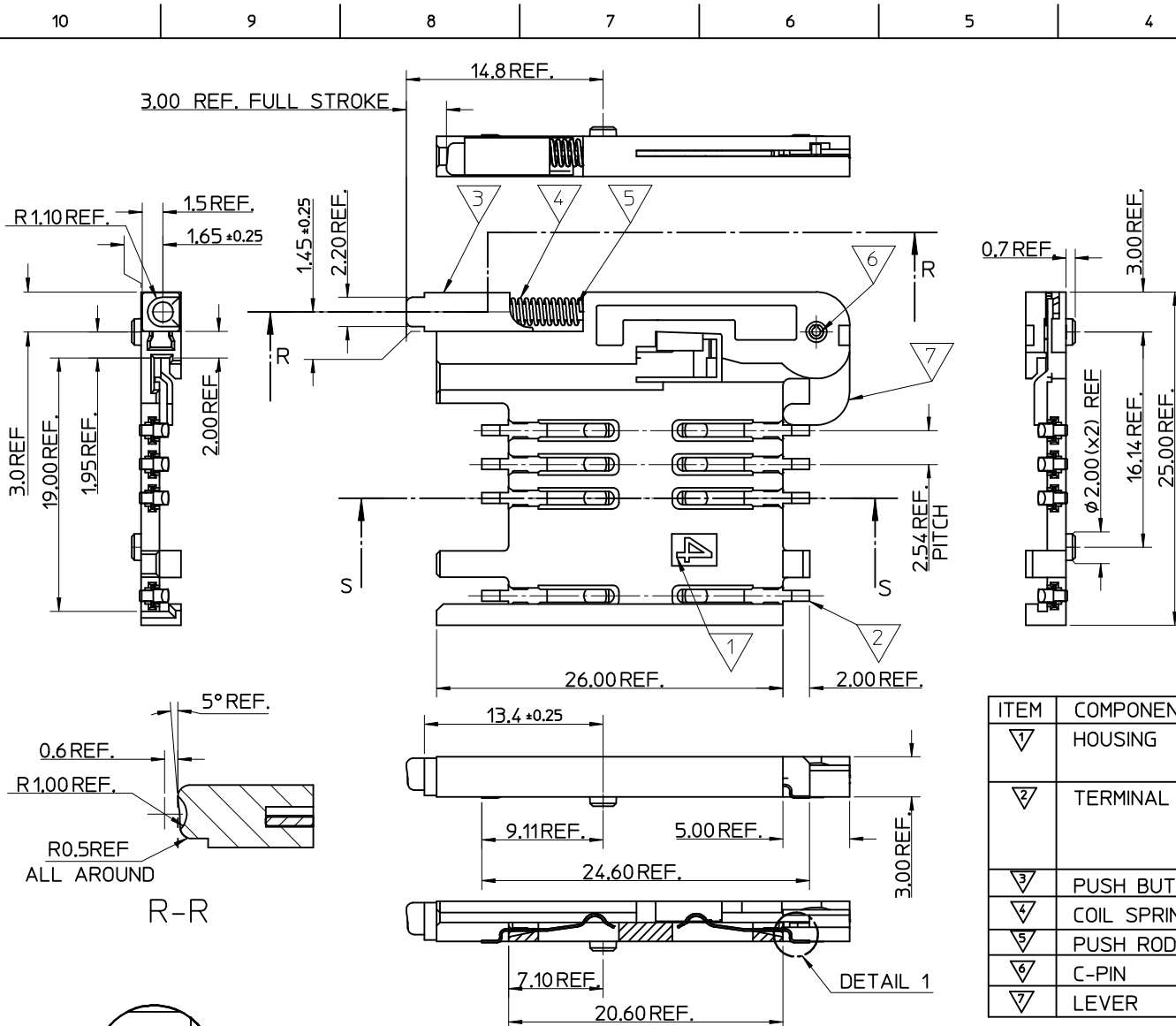
TITLE  
SIM CONNECTOR ASSY

MOLEX INCORPORATED

DOCUMENT NO.  
SD-91228-001

SHEET NO.  
4 OF 5

THIS DRAWING CONTAINS INFORMATION THAT IS PROPRIETARY TO MOLEX INCORPORATED AND SHOULD NOT BE USED WITHOUT WRITTEN PERMISSION



- NOTES:
1. SEE PRODUCT SPECIFICATION PS-99020-0071.
  2. PACKAGING: TAPE & REEL, FOR DETAIL SEE SDA-91228-9001, SHEET 1.
  3. SEE SHEET 1 FOR ALL UNSPECIFIED NOTES AND DIMENSIONS.

ITEM	COMPONENT	QTY	MATERIAL
▽	HOUSING	1	LIQUID CRYSTAL POLYMER (LCP) 30% GLASS FILL, UL94 V-0, COLOUR: BLACK
▽	TERMINAL	8	0.15 PHOSPHOR BRONZE. 0.14μm MIN Au OVER Pd/Ni IN CONTACT AREA 2.54μm MIN Sn ON SMT TAILS
▽	PUSH BUTTON	1	GF POLYAMIDE 6T/66, BLUE
▽	COIL SPRING	1	0.25 REF THK STAINLESS STEEL
▽	PUSH ROD	1	0.4 REF THK STAINLESS STEEL
▽	C-PIN	1	STEEL
▽	LEVER	1	0.4 REF THK STAINLESS STEEL

REV	DESCRIPTION	DATE
1	APPR: STGRIFFIN	2017/03/24
2	CHKD:	
3	DRWN: KOBRIEN01	2017/01/10
4	EC NO: P92017-0662	

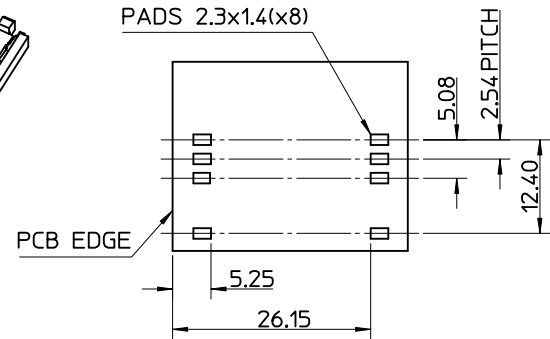
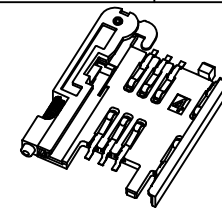
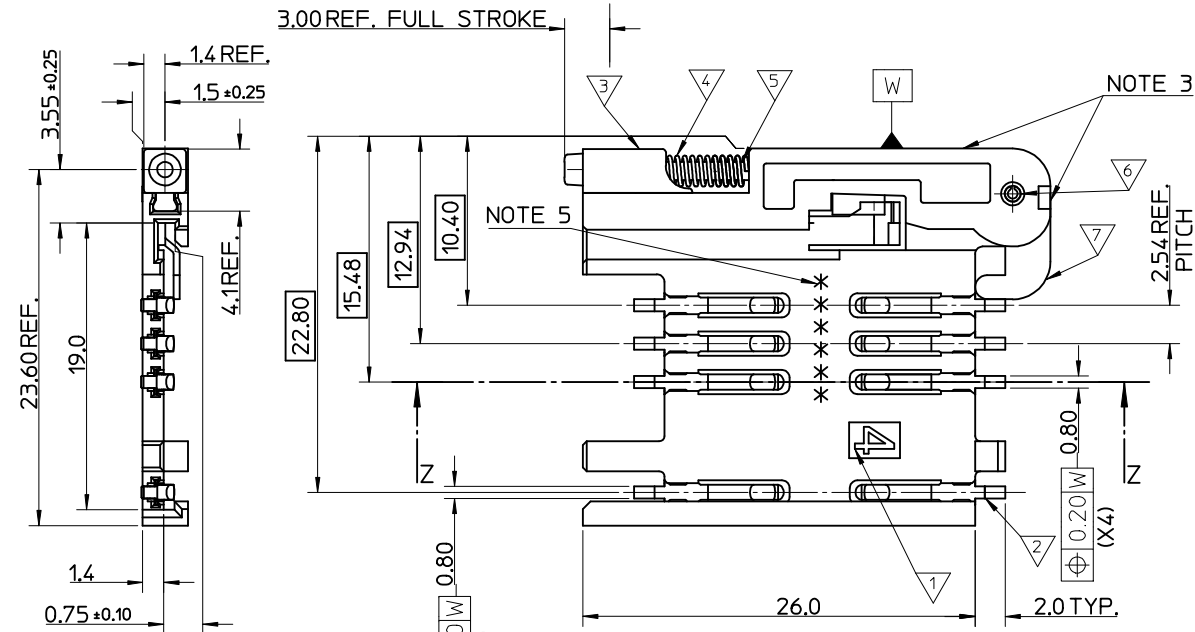
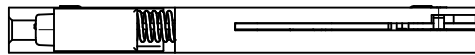
SEE SHEET 1

QUALITY SYMBOLS	DESCRIPTION
▽=0	
▽=0	

GENERAL TOLERANCES (UNLESS SPECIFIED)		DIMENSION STYLE		SCALE	DESIGN UNITS	THIRD ANGLE PROJECTION
mm	INCH	MM ONLY		5:1	METRIC	
4 PLACES ± ---	± ---	DRAWN BY	DATE	TITLE		
3 PLACES ± ---	± ---	RFORREY	2006/11/27	SIM CONNECTOR ASSY		
2 PLACES ± 0.05	± ---	CHECKED BY	DATE	MOLEX INCORPORATED		
1 PLACE ± 0.1	± ---	FDUGGAN	2006/11/27	DOCUMENT NO.		
ANGULAR ± 2 °		APPROVED BY	DATE	SHEET NO.		
		EFOLAN	2006/11/27	5 OF 5		
DRAFT WHERE APPLICABLE MUST REMAIN WITHIN DIMENSIONS		MATERIAL NO.				
		912283007				

SIZE	THIS DRAWING CONTAINS INFORMATION THAT IS PROPRIETARY TO MOLEX INCORPORATED AND SHOULD NOT BE USED WITHOUT WRITTEN PERMISSION	
A3		

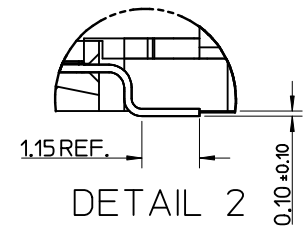
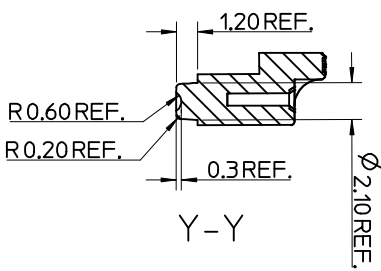
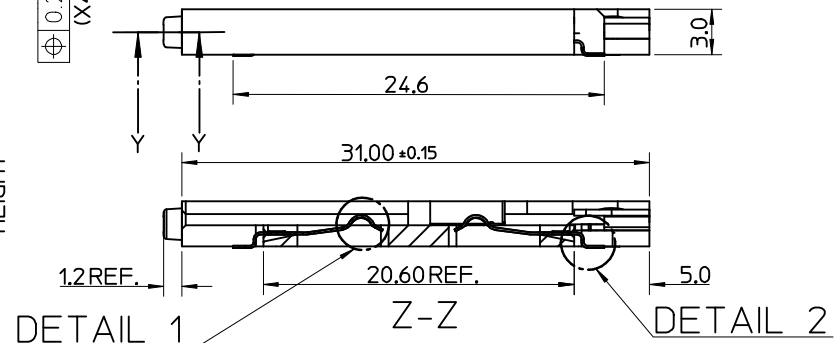
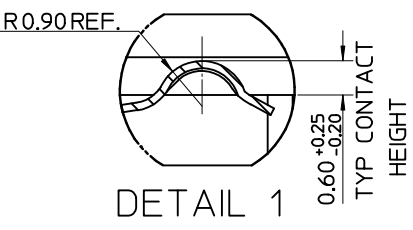
MATERIAL NUMBER	DESCRIPTION
912283001	REELED ONTO CARDBOARD REEL
912283019	REELED ONTO PLASTIC REEL



RECOMMENDED PCB LAYOUT  
(COMPONENT SIDE)

- NOTES:
- SEE PRODUCT SPECIFICATION PS-99020-0071.
  - PACKAGING: TAPE & REEL, FOR DETAIL SEE SDA-91228-9001, SHEET 1
  - PUSH ROD/LEVER MUST NOT PROTRUDE BEYOND HOUSING EDGE IN THIS AREA.
  - TAILS ON EACH SIDE OF CONNECTOR TO LIE WITHIN 0.12 mm OF EACH OTHER
  - DATECODE: (YEAR, WEEK, WEEK, DAY, HOUR, HOUR)

ITEM	COMPONENT	QTY	MATERIAL
▽	HOUSING	1	LIQUID CRYSTAL POLYMER (LCP) 30% GLASS FILL, JL94 V-O, COLOUR: BLACK
▽	TERMINAL	8	0.15 PHOSPHOR BRONZE, 0.14µm MIN Au OVER Pd/Ni IN CONTACT AREA 2.54µm MIN Sn ON SMT TAILS
▽	PUSH BUTTON	1	GF POLYAMIDE 6T/66, YELLOW
▽	COIL SPRING	1	0.25 REF THK STAINLESS STEEL
▽	PUSH ROD	1	0.4 REF THK STAINLESS STEEL
▽	C-PIN	1	STEEL
▽	LEVER	1	0.4 REF THK STAINLESS STEEL



OBSOLETE P/N  
EC NO: IPG2017-0662  
DRW: KOBRIEN01 2017/01/10  
CHKD:  
APPR: STGRIFFIN 2017/03/24

QUALITY SYMBOLS  
▽ = 0  
◻ = 0

GENERAL TOLERANCES (UNLESS SPECIFIED)

	mm	INCH
4 PLACES	± ---	± ---
3 PLACES	± ---	± ---
2 PLACES	± 0.05	± ---
1 PLACE	± 0.1	± ---

ANGULAR ± 2 °

DRAFT WHERE APPLICABLE MUST REMAIN WITHIN DIMENSIONS

DIMENSION STYLE  
MM ONLY

SCALE  
5:1

DESIGN UNITS  
METRIC

THIRD ANGLE PROJECTION

DRAWN BY: RFORREY  
DATE: 2006/11/27

CHECKED BY: FDUGGAN  
DATE: 2006/11/27

APPROVED BY: EFOLAN  
DATE: 2006/11/27

MATERIAL NO.  
SEE TABLE

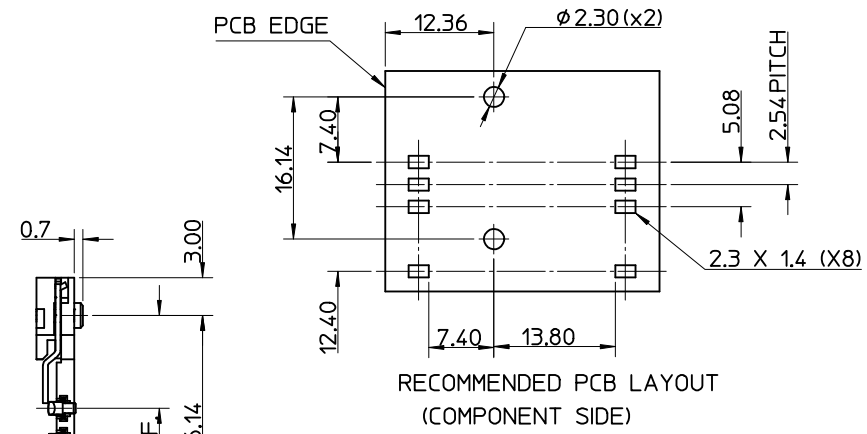
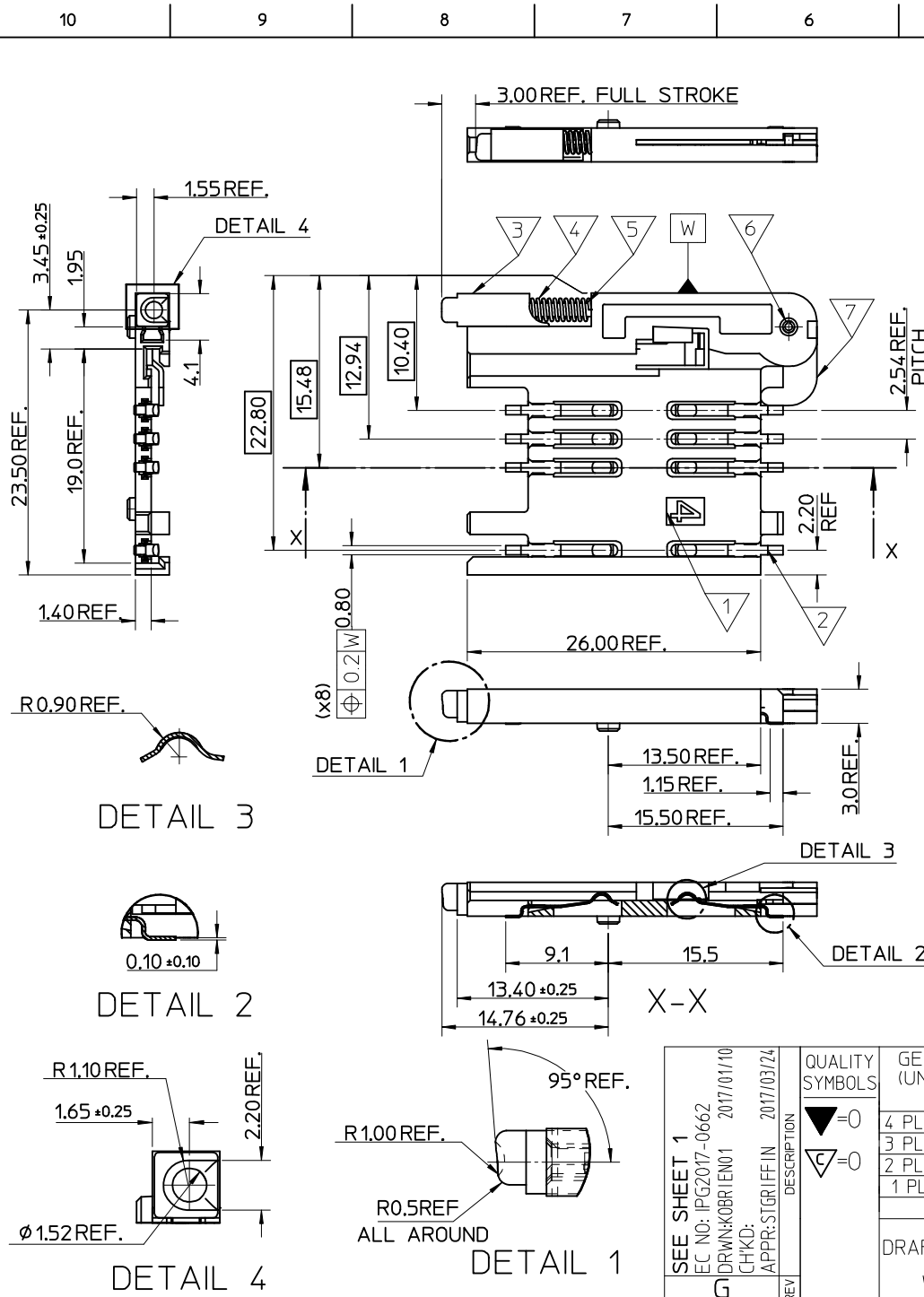
TITLE  
SIM CONNECTOR ASSY

MOLEX INCORPORATED

DOCUMENT NO. SD-91228-001

SHEET NO. 1 OF 5

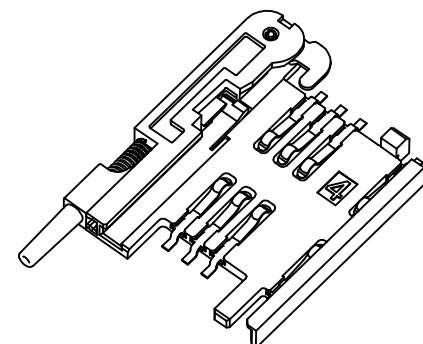
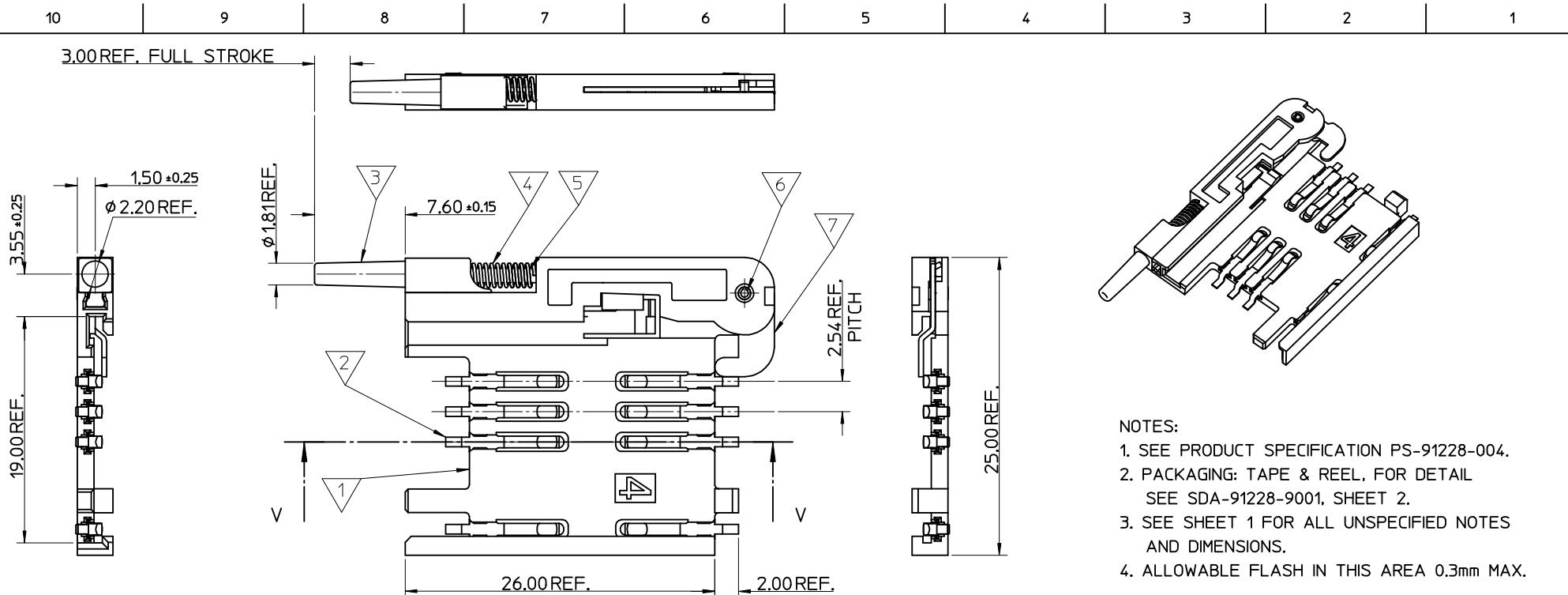
THIS DRAWING CONTAINS INFORMATION THAT IS PROPRIETARY TO MOLEX INCORPORATED AND SHOULD NOT BE USED WITHOUT WRITTEN PERMISSION



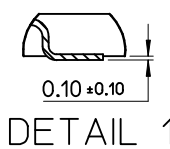
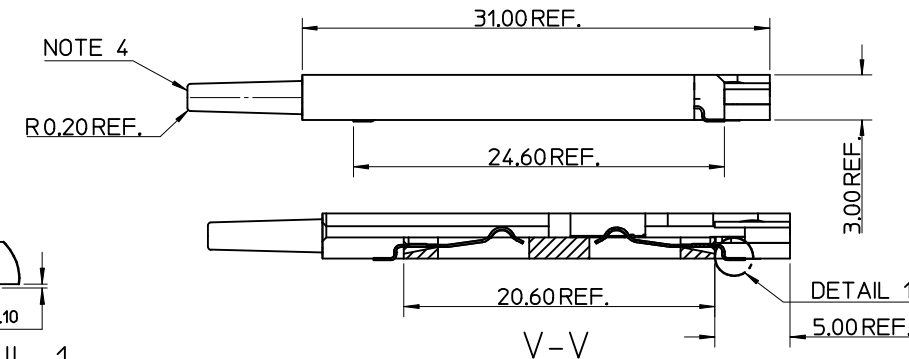
- NOTES:
1. SEE PRODUCT SPECIFICATION PS-99020-0071.
  2. PACKAGING: TAPE & REEL, FOR DETAIL SEE SDA-91228-9001, SHEET 1
  3. FOR ALL UNSPECIFIED DIMENSIONS AND NOTES SEE SHEET 1.

ITEM	COMPONENT	QTY	MATERIAL
▽	HOUSING		LIQUID CRYSTAL POLYMER (LCP) 30% GLASS FILL, UL94 V-0, COLOUR: BLACK
▽	TERMINAL		0.15 PHOSPHOR BRONZE. 0.14m MIN Au OVER Pd/Ni IN CONTACT AREA 2.54m MIN Sn ON SMT TAILS
▽	PUSH BUTTON		GF POLYAMIDE 6T/66. BLACK.
▽	COIL SPRING		0.25 REF THK STAINLESS STEEL
▽	PUSH ROD		0.4 REF THK STAINLESS STEEL
▽	C-PIN		STEEL
▽	LEVER		0.4 REF THK STAINLESS STEEL

SEE SHEET 1 EC NO: IPG2017-0662 DRWN: KOBRI/EN01 2017/01/10 CHKD: APPR: STGR/FFIN 2017/03/24 REV	QUALITY SYMBOLS ▽=0 ▽=0	GENERAL TOLERANCES (UNLESS SPECIFIED) <table border="1"> <thead> <tr> <th></th> <th>mm</th> <th>INCH</th> </tr> </thead> <tbody> <tr> <td>4 PLACES</td> <td>± ---</td> <td>± ---</td> </tr> <tr> <td>3 PLACES</td> <td>± ---</td> <td>± ---</td> </tr> <tr> <td>2 PLACES</td> <td>± 0.05</td> <td>± ---</td> </tr> <tr> <td>1 PLACE</td> <td>± 0.1</td> <td>± ---</td> </tr> </tbody> </table>		mm	INCH	4 PLACES	± ---	± ---	3 PLACES	± ---	± ---	2 PLACES	± 0.05	± ---	1 PLACE	± 0.1	± ---	DIMENSION STYLE <b>MM ONLY</b> DRAWN BY: RFORREY DATE: 2006/11/27 CHECKED BY: DATE: APPROVED BY: FDUGGAN DATE: 2006/11/27 APPROVED BY: EFOLAN DATE: 2006/11/27	SCALE <b>5:1</b> DESIGN UNITS <b>METRIC</b> THIRD ANGLE PROJECTION	TITLE <b>SIM CONNECTOR ASSY</b>
		mm	INCH																	
	4 PLACES	± ---	± ---																	
	3 PLACES	± ---	± ---																	
2 PLACES	± 0.05	± ---																		
1 PLACE	± 0.1	± ---																		
MATERIAL NO. <b>912283002</b>	DOCUMENT NO. <b>SD-91228-001</b>	SHEET NO. <b>2 OF 5</b>	<b>MOLEX INCORPORATED</b>																	
DRAFT WHERE APPLICABLE MUST REMAIN WITHIN DIMENSIONS																				
THIS DRAWING CONTAINS INFORMATION THAT IS PROPRIETARY TO MOLEX INCORPORATED AND SHOULD NOT BE USED WITHOUT WRITTEN PERMISSION																				



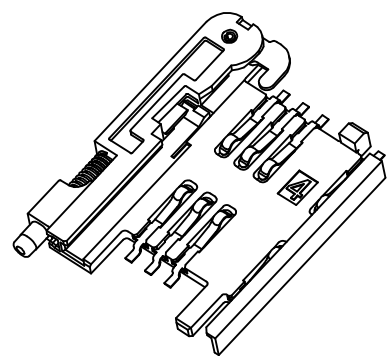
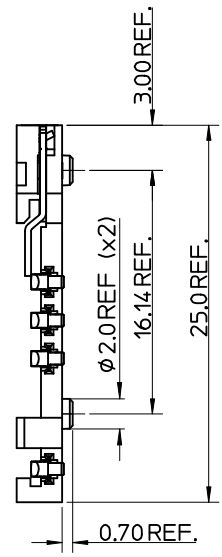
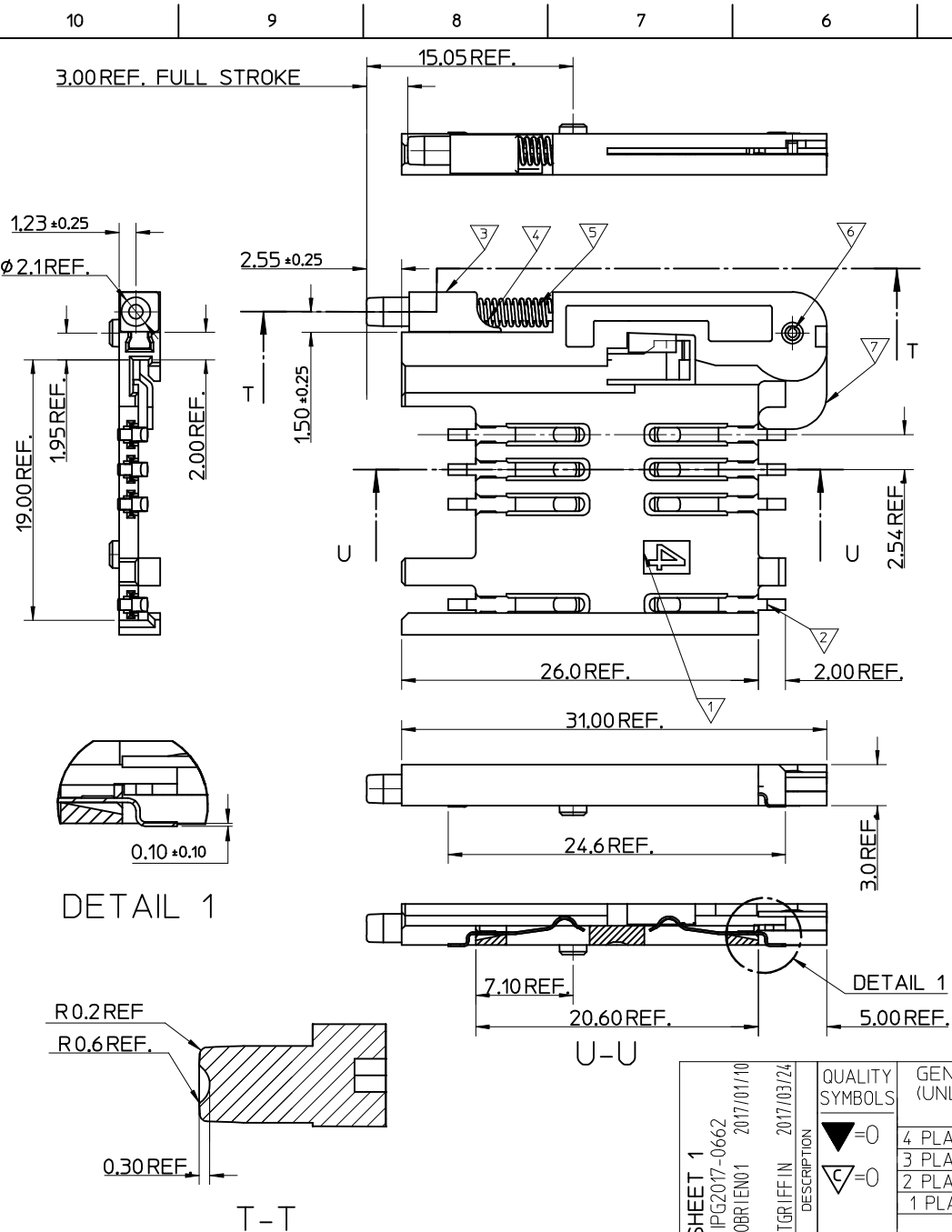
- NOTES:
1. SEE PRODUCT SPECIFICATION PS-91228-004.
  2. PACKAGING: TAPE & REEL, FOR DETAIL SEE SDA-91228-9001, SHEET 2.
  3. SEE SHEET 1 FOR ALL UNSPECIFIED NOTES AND DIMENSIONS.
  4. ALLOWABLE FLASH IN THIS AREA 0.3mm MAX.



ITEM	COMPONENT	QTY	MATERIAL
1	HOUSING	1	LIQUID CRYSTAL POLYMER (LCP) 30% GLASS FILL, UL94 V-0, COLOUR: BLACK
2	TERMINAL	8	0.15 PHOSPHOR BRONZE. 0.14mm MIN Au OVER Pd/Ni IN CONTACT AREA 2.54mm MIN Sn ON SMT TAILS
3	PUSH BUTTON	1	GF POLYAMIDE 6T/66, NATURAL
4	COIL SPRING	1	0.25 REF THK STAINLESS STEEL
5	PUSH ROD	1	0.4 REF THK STAINLESS STEEL
6	C-PIN	1	STEEL
7	LEVER	1	0.4 REF THK STAINLESS STEEL

SEE SHEET 1 EC NO: IPGZ07-0662 DRW: KOBRIEN01 2017/01/10 CHKD: APPR: STGRIFFIN 2017/03/24	QUALITY SYMBOLS	GENERAL TOLERANCES (UNLESS SPECIFIED)	DIMENSION STYLE	SCALE	DESIGN UNITS	THIRD ANGLE PROJECTION															
	$\nabla = 0$ $\nabla C = 0$	<table border="1"> <tr> <th></th> <th>mm</th> <th>INCH</th> </tr> <tr> <td>4 PLACES</td> <td>± ---</td> <td>± ---</td> </tr> <tr> <td>3 PLACES</td> <td>± ---</td> <td>± ---</td> </tr> <tr> <td>2 PLACES</td> <td>± 0.05</td> <td>± ---</td> </tr> <tr> <td>1 PLACE</td> <td>± 0.1</td> <td>± ---</td> </tr> </table>		mm	INCH	4 PLACES	± ---	± ---	3 PLACES	± ---	± ---	2 PLACES	± 0.05	± ---	1 PLACE	± 0.1	± ---	MM ONLY	5:1	METRIC	
		mm	INCH																		
	4 PLACES	± ---	± ---																		
3 PLACES	± ---	± ---																			
2 PLACES	± 0.05	± ---																			
1 PLACE	± 0.1	± ---																			
	ANGULAR ± 2°	<table border="1"> <tr> <th>DRAWN BY</th> <th>DATE</th> </tr> <tr> <td>RFORREY</td> <td>2006/11/27</td> </tr> <tr> <th>CHECKED BY</th> <th>DATE</th> </tr> <tr> <td>FDUGGAN</td> <td>2006/11/27</td> </tr> <tr> <th>APPROVED BY</th> <th>DATE</th> </tr> <tr> <td>EFOLAN</td> <td>2006/11/27</td> </tr> </table>	DRAWN BY	DATE	RFORREY	2006/11/27	CHECKED BY	DATE	FDUGGAN	2006/11/27	APPROVED BY	DATE	EFOLAN	2006/11/27	TITLE		SIM CONNECTOR ASSY				
DRAWN BY	DATE																				
RFORREY	2006/11/27																				
CHECKED BY	DATE																				
FDUGGAN	2006/11/27																				
APPROVED BY	DATE																				
EFOLAN	2006/11/27																				
	DRAFT WHERE APPLICABLE MUST REMAIN WITHIN DIMENSIONS	MATERIAL NO.	MOLEX INCORPORATED		DOCUMENT NO.	SHEET NO.															
		912283005	SD-91228-001		3 OF 5																





- NOTES:
1. SEE PRODUCT SPECIFICATION PS-99020-0071.
  2. PACKAGING: TAPE & REEL, FOR DETAIL SEE SDA-91228-9001, SHEET 2.
  3. SEE SHEETS 1 & 2 FOR ALL UNSPECIFIED NOTES AND DIMENSIONS.

ITEM	COMPONENT	QTY	MATERIAL
▽	HOUSING	1	LIQUID CRYSTAL POLYMER (LCP) 30% GLASS FILL, UL94 V-0, COLOUR: BLACK
▽	TERMINAL	8	0.15 PHOSPHOR BRONZE. 0.14mm MIN Au OVER Pd/Ni IN CONTACT AREA 2.54mm MIN Sn ON SMT TAILS
▽	PUSH BUTTON	1	GF POLYAMIDE 6T/66, BLACK.
▽	COIL SPRING	1	0.25 REF THK STAINLESS STEEL
▽	PUSH ROD	1	0.4 REF THK STAINLESS STEEL
▽	C-PIN	1	STEEL
▽	LEVER	1	0.4 REF THK STAINLESS STEEL

DETAIL 1

DETAIL 1

T-T

SEE SHEET 1  
EC NO: IPG2017-0662  
DRWN: KOBRI/EM01 2017/01/10  
CHKD:  
APPR: STGR/FFIN 2017/03/24

QUALITY SYMBOLS  
▽=0  
▽=0

GENERAL TOLERANCES (UNLESS SPECIFIED)

	mm	INCH
4 PLACES	± ---	± ---
3 PLACES	± ---	± ---
2 PLACES	± 0.05	± ---
1 PLACE	± 0.1	± ---
ANGULAR ± 2 °		

DRAFT WHERE APPLICABLE  
MUST REMAIN  
WITHIN DIMENSIONS

DIMENSION STYLE  
MM ONLY

DRAWN BY: RFORREY  
DATE: 2006/11/27

CHECKED BY: FDUGGAN  
DATE: 2006/11/27

APPROVED BY: EFOLAN  
DATE: 2006/11/27

MATERIAL NO.  
912283006

SCALE  
5:1

DESIGN UNITS  
METRIC

THIRD ANGLE PROJECTION

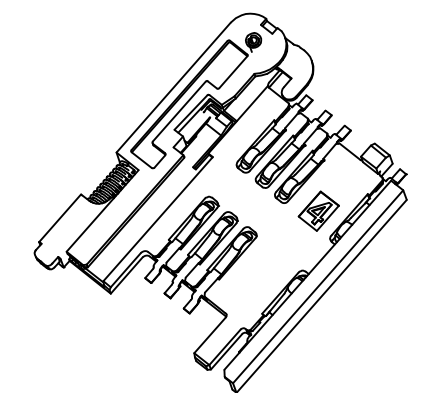
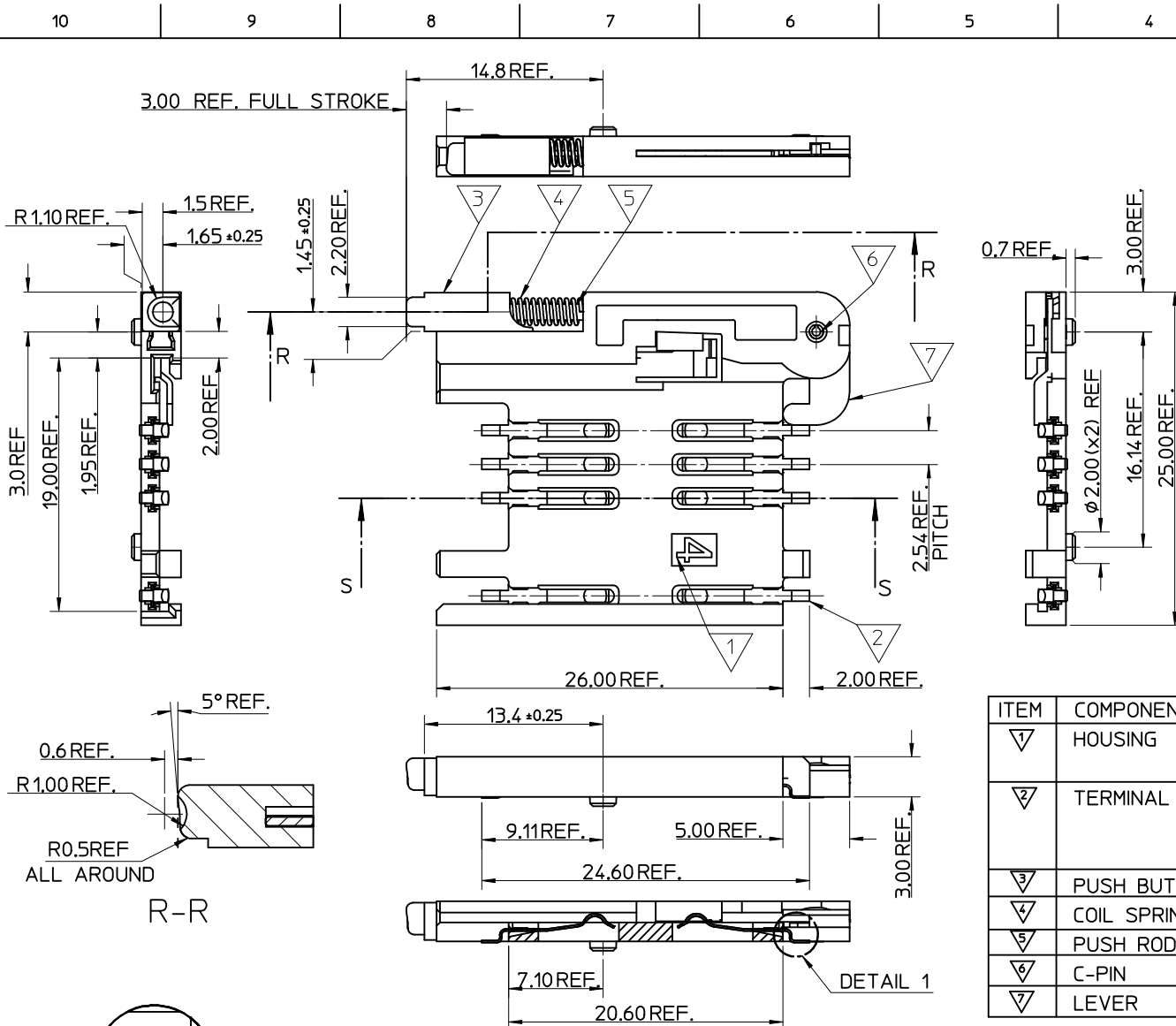
TITLE  
SIM CONNECTOR ASSY

**molex** MOLEX INCORPORATED

DOCUMENT NO.  
SD-91228-001

SHEET NO.  
4 OF 5

THIS DRAWING CONTAINS INFORMATION THAT IS PROPRIETARY TO MOLEX INCORPORATED AND SHOULD NOT BE USED WITHOUT WRITTEN PERMISSION

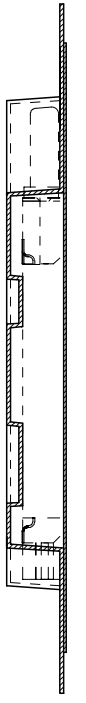
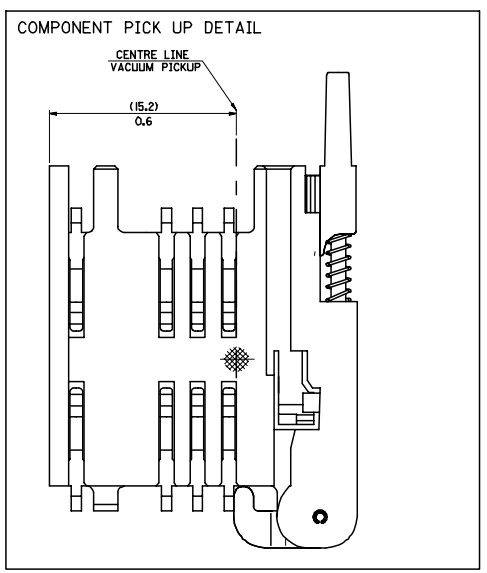


- NOTES:
1. SEE PRODUCT SPECIFICATION PS-99020-0071.
  2. PACKAGING: TAPE & REEL, FOR DETAIL SEE SDA-91228-9001, SHEET 1.
  3. SEE SHEET 1 FOR ALL UNSPECIFIED NOTES AND DIMENSIONS.

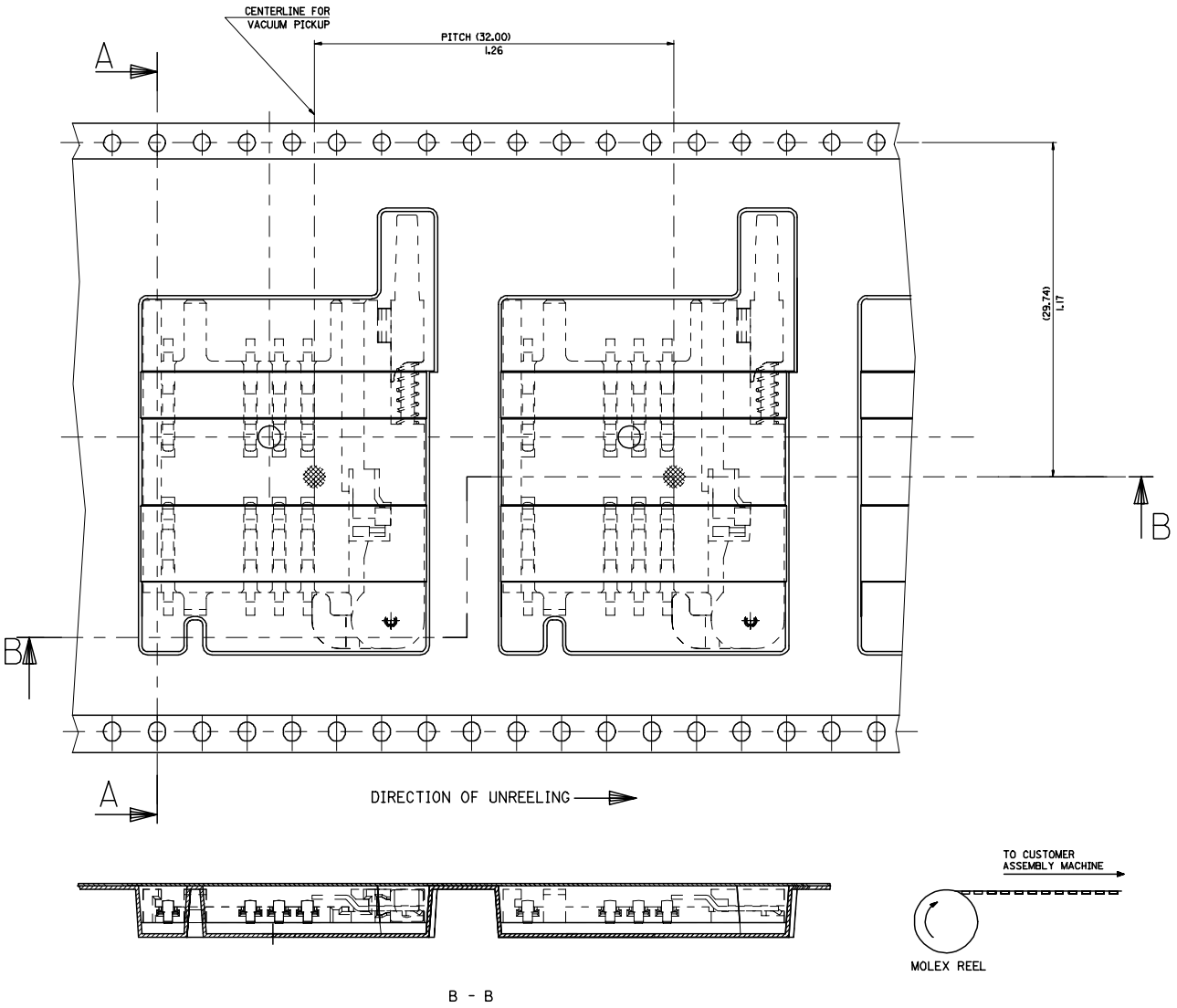
ITEM	COMPONENT	QTY	MATERIAL
▽	HOUSING	1	LIQUID CRYSTAL POLYMER (LCP) 30% GLASS FILL, UL94 V-0, COLOUR: BLACK
▽	TERMINAL	8	0.15 PHOSPHOR BRONZE. 0.1µm MIN Au OVER Pd/Ni IN CONTACT AREA 2.5µm MIN Sn ON SMT TAILS
▽	PUSH BUTTON	1	GF POLYAMIDE 6T/66, BLUE
▽	COIL SPRING	1	0.25 REF THK STAINLESS STEEL
▽	PUSH ROD	1	0.4 REF THK STAINLESS STEEL
▽	C-PIN	1	STEEL
▽	LEVER	1	0.4 REF THK STAINLESS STEEL

SEE SHEET 1 EC NO: P92017-0662 DRW: KOBRIEN01 2017/01/10 CHKD: APPR: STORIFFIN 2017/03/24	QUALITY SYMBOLS	GENERAL TOLERANCES (UNLESS SPECIFIED)	DIMENSION STYLE	SCALE	DESIGN UNITS	THIRD ANGLE PROJECTION	
	▽ = 0	mm INCH	MM ONLY	5:1	METRIC		
	▽ = 0	4 PLACES ± --- ± ---	DRAWN BY DATE			TITLE	
		3 PLACES ± --- ± ---	RFORREY 2006/11/27			SIM CONNECTOR ASSY	
	2 PLACES ± 0.05 ± ---	CHECKED BY DATE					
	1 PLACE ± 0.1 ± ---	FDUGGAN 2006/11/27					
	ANGULAR ± 2°	APPROVED BY DATE					
		EFOLAN 2006/11/27					
		MATERIAL NO.					
		912283007					
		DRAFT WHERE APPLICABLE MUST REMAIN WITHIN DIMENSIONS					
			SIZE				
			A3				
			THIS DRAWING CONTAINS INFORMATION THAT IS PROPRIETARY TO MOLEX INCORPORATED AND SHOULD NOT BE USED WITHOUT WRITTEN PERMISSION				
					MOLEX MOLEX INCORPORATED		
					DOCUMENT NO.		
					SD-91228-001		
						SHEET NO.	
						5 OF 5	

20 19 18 17 16 15 14 13 12 11 10 9 8 7 6 5 4 3 2 1



PART NO	DESCRIPTION
91228-0005 & 91228-3005	SIM CONNECTOR WITHOUT PEGS
91228-0010 & 91228-3010	SIM CONNECTOR WITH PEGS
91228-0006 & 91228-3006	SIM CONNECTOR WITH PEGS



NOTES:  
 1) FOR ALL UNSPECIFIED NOTES, DETAILS AND DIMENSIONS SEE SHEET 1

ADDED NEW P/ANS ECN NO. E2007-0648 2007/02/19 DRAWN BY MAHER 2007/02/17 CHECKED FUGGAN 2007/02/22 APPROVED EFOLAN 2007/02/26	QUALITY SYMBOLS ▽=0 ▽=0	GENERAL TOLERANCES (UNLESS SPECIFIED) mm INCH		DIMENSION STYLE MM/IN	SCALE ---	DESIGN UNITS METRIC	THIRD ANGLE PROJECTION
		4 PLACES ± --- ± --- 3 PLACES ± --- ± --- 2 PLACES ± 0.1 ± --- 1 PLACE ± 0.2 ± --- ANGULAR ± --- °	DRAWN BY MAHER DATE 2006/12/07	CHECKED BY FUGGAN DATE 2006/12/07	APPROVED BY EFOLAN DATE 2006/12/07	MATERIAL NO. SEE CHART	DOCUMENT NO. SDA-91228-9001

BLISTER PACKAGING  
 SIM CARD PCB HOUSING

MOLEX INCORPORATED

THIS DRAWING CONTAINS INFORMATION THAT IS PROPRIETARY TO MOLEX INCORPORATED AND SHOULD NOT BE USED WITHOUT WRITTEN PERMISSION

19 18 17 16 15 14 13 12 11 10 9 8 7 6 5 4 3 2 1