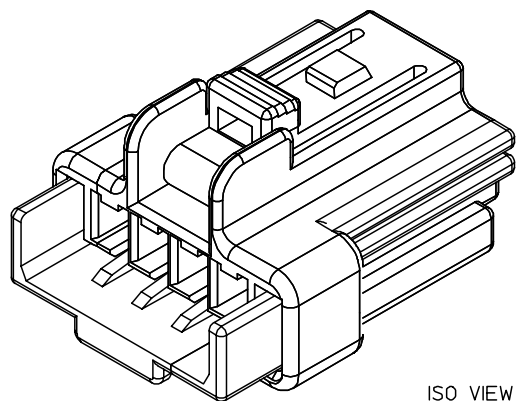
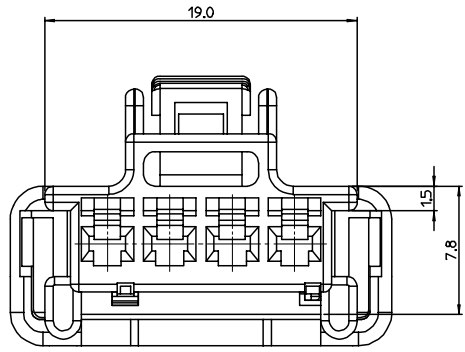
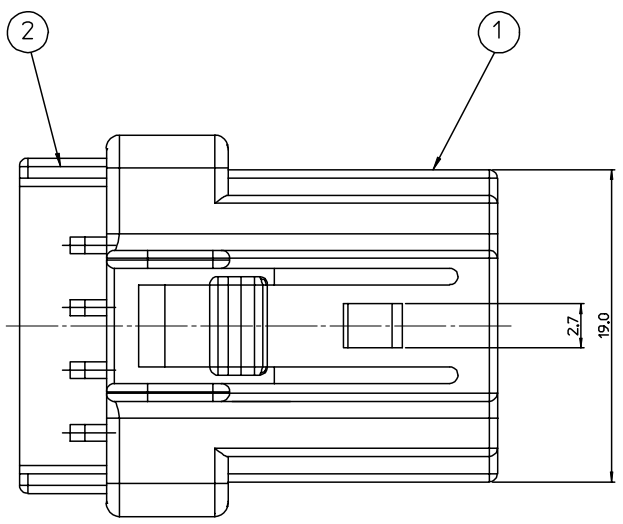


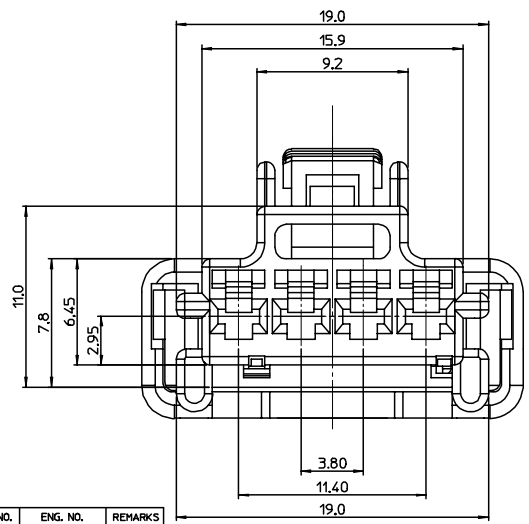
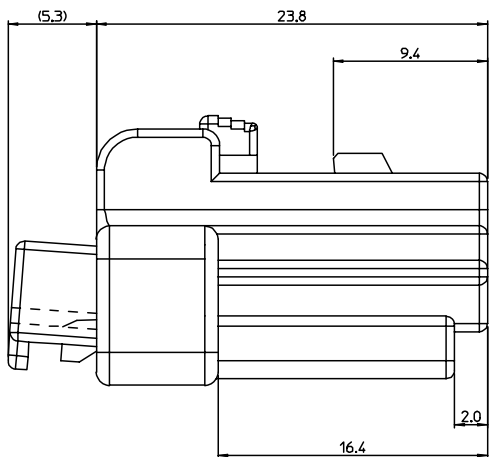
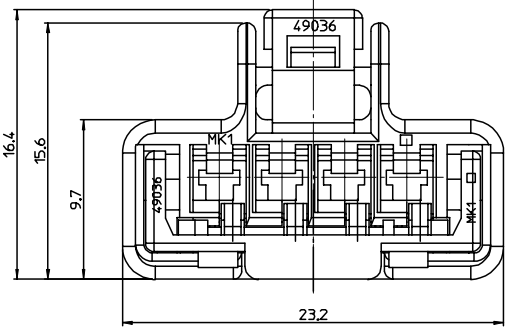
PROJECT NO. SD-49036-001
SIMILAR ITEM



ISO VIEW



49036-0417



49036-0410/0415

- <NOTE>
 1. MATERIAL : SEE TABLE
 2. MATING CONNECTOR : 49035-0410/0417
 3. APPLICABLE TERMINAL : 35421-6*02

NO.	PART NO.	PART NAME	MATERIAL	COLOR
1	(A) 49036-0490	.090 F/HSG 4P	POLYESTER	NATURAL
	(B) 49036-0495	.090 F/HSG 4P	POLYESTER	GRAY
	(C) 49036-0497	.090 F/HSG 4P	POLYESTER	BROWN
2	(D) 49036-0481	.090 F/TPA 4P	POLYESTER	BLACK

MATERIAL NO.	ENG. NO.	REMARKS		
490360410	49036-0410	(A) + (D)		
490360415	49036-0415	(B) + (D)		
490360417	49036-0417	(C) + (D)		
NEW RELEASED			49036-0410/0415	
ECN NO. KOR2004-0092	QUALITY SYMBOLS	GENERAL TOLERANCES (UNLESS SPECIFIED)	SCALE 5:1	DESIGN UNITS
DRWNSHM01 04/01/27	MAJOR	mm	mm	INCH
CHK&C.YOON 04/01/27	CRITICAL	INCH	mm	mm
APPLICABLE			THIRD ANGLE	PROJECTION
			THIRD ANGLE	PROJECTION
			DRAWN BY & DATE	
			SJKM 03/12/10	
			CHECKED BY & DATE	
			B.C.YOON 03/12/10	
			APPROVED BY & DATE	
			C.WLEE 03/12/10	
			CAD FILENAME	
			SD/9036JM	
			MATERIAL NO.	
			SEE TABLE	
			DRAWING NO.	
			SD-49036-001	
			SHEET NO.	
			1 OF 1	
			SIZE	
			C	
			KOREA	
			MX-A2	

DO NOT SCALE DRAWING
DIMENSION IN METRIC