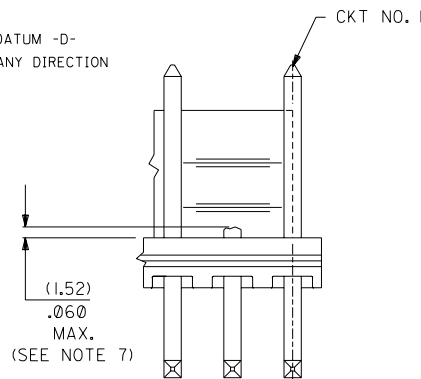


NO. OF CKT'S.	DIM. A	DIM. B
2	(3.96±.05) .156±.002	(7.77) .306
3	(7.92±.08) .312±.003	(11.73) .462
4	(11.89±.08) .468±.003	(15.70) .618
5	(15.85±.10) .624±.004	(19.66) .774
6	(19.81±.10) .780±.004	(23.62) .930
7	(23.77±.10) .936±.004	(27.58) 1.086
8	(27.74±.13) 1.092±.005	(31.55) 1.242
9	(31.70±.13) 1.248±.005	(35.51) 1.398
10	(35.66±.13) 1.404±.005	(39.47) 1.554
11	(39.62±.15) 1.560±.006	(43.43) 1.710
12	(43.59±.15) 1.716±.006	(47.40) 1.866
13	(47.55±.15) 1.872±.006	(51.36) 2.022
14	(51.51±.18) 2.028±.007	(55.32) 2.178
15	(55.47±.18) 2.184±.007	(59.28) 2.334
16	(59.44±.18) 2.340±.007	(63.25) 2.490
17	(63.40±.20) 2.496±.008	(67.21) 2.646
18	(67.36±.20) 2.652±.008	(71.17) 2.802

NOTES:

- PRECEDING ENG. NO. IN CHART DESIGNATES STANDARD PRODUCT.
- SOLDERABILITY: WHEN PARTS ARE SOLDERED AT A TEMPERATURE OF 230°C (446°F) FOR 5 SECONDS, EACH SOLDERED SURFACE SHALL BE A MINIMUM OF 95% COVERED WITH A SMOOTH CONTINUOUS ADHERENT COATING. FOR OTHER INFORMATION SEE ES-152.
- PIN PUSH OUT FORCE: PRIOR TO SOLDERING, A 3 POUND MINIMUM FORCE (IN EITHER DIRECTION) SHALL BE REQUIRED TO PUSH THE PIN OUT OF THE HEADER.
- FOR ADDITIONAL INFORMATION AND TESTING PROCEDURES SEE PS-08-50.
- PARTS ARE STACKABLE END TO END ON (3.96)/.156 CENTERS.
- FOR PART WITH PEGS SEE DWG NO. SDA-42492
- BURRS DUE TO CUTTING OFF OF PINS MUST NOT VARY FROM CENTERLINE OF PIN AT DATUM -D- BY MORE THAN .008 IN ANY DIRECTION.



MATERIAL: HEADER: GLASS FILLED POLYESTER, 94V-0, MOLDED NATURAL (WHITE).
PIN: BRASS

PLATINGS:

(102) ELECTRO TIN .000450/.000200 OVER .000200/.000100 COPPER
(567) SELECT GOLD 15 M.I. MIN, SELECT TIN/LEAD 100 M.I. MIN., OVER NICKEL
(569) SELECT GOLD 30 M.I. MIN, SELECT TIN/LEAD 100 M.I. MIN., OVER NICKEL
FOR ADDITIONAL INFORMATION SE SDES-88.

NO.	DESCRIPTION	DATE
6	E	
5	E2	
4	E1	
3	E	
2	E	
1	E2	

DRWG. BY: SAMIEC	CHK'D. BY: PATEL	SCALE: :
APP'D. BY: LENZ		

REVISIONS

NO.	DESCRIPTION	DATE
E2	REL SHT 5 UCP2003-0755 11/6/2002 SAMIEC	
E1	REL SHT 4 UCR2002-0555 12/17/01 SAMIEC	
E	ADD PACK SPEC UCR2002-0087 7/26/01 SAMIEC	

REVISIONS

NO.	DESCRIPTION	DATE
1	SEE CHART	09/09/87
2	SDA-41792	

SEE CHART

FILE NAME: S41792X1

THIS DRAWING CONTAINS INFORMATION THAT IS PROPRIETARY TO MOLEX INC. AND SHOULD NOT BE USED WITHOUT WRITTEN PERMISSION.

DRWG. NO.: SDA-41792

SHEET NO.: 1 OF 6

DATE: 09/09/87

MOLEX INCORPORATED

MOLEX ISLE, ILL. 60532 U.S.A.

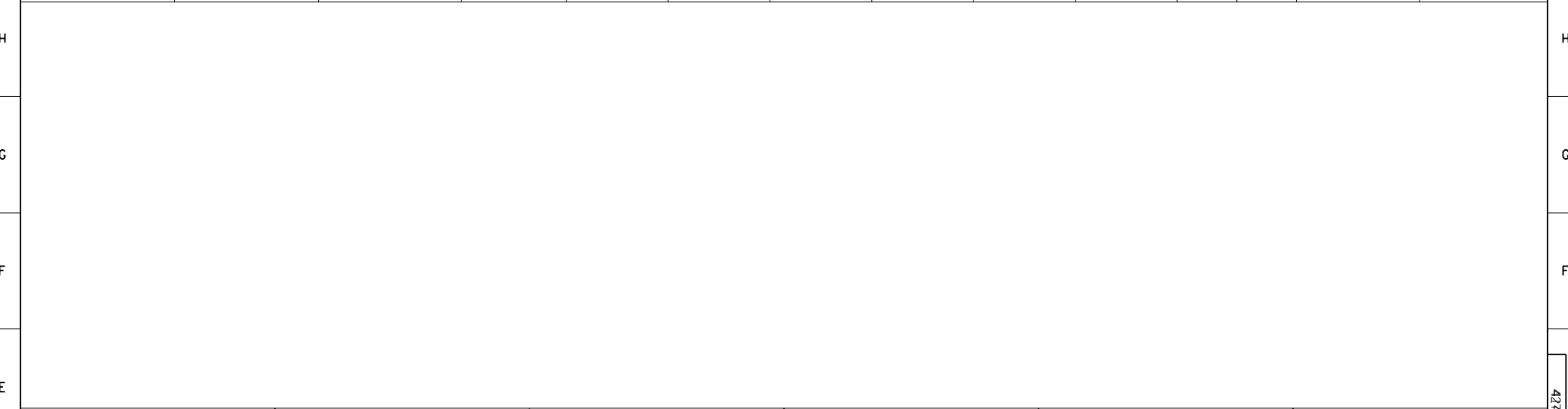
DRWG. NO.: SDA-41792

DRG. NO.: SDA-41792

DRG. NO.: SDA-41792

DRG. NO.: SDA-41792

	13	12	11	10	9	8	7	6	4192	4	3	2	1	
	ENG. NO.	HEADER NO.	PIN NO.	PLATING	DIM. L	DIM. X	DIM. G GOLD	DIM. Y	DIM. Z	DIM. T TIN	DIM. W	NO OF CKTS	VOID CKTS	PACKAGING
J	A-41792-0019/0035	41790-0002/0018	2161-37(501)	501	(27.94) 1.100	(11.43) .450	() OVERALL	(5.41) .213	(3.96) .156	() N/A	90°	2-18		BULK PER PK-41792-002
	A-41792-0036/0050	41790-0002/0018	2161-37(102)	102	(27.94) 1.100	(11.43) .450	() N/A	(5.41) .213	(3.96) .156	() OVERALL	90°	4-18	4	BULK PER PK-41792-002
	A-41792-0051/0067	41790-0002/0018	2161-64(102)	102	(29.85) 1.175	(13.28) .523	() N/A	(5.41) .213	(4.01) .158	() OVERALL	90°	2-18		BULK PER PK-41792-002
I	A-41792-0068/0084	41790-0002/0018	2161-64(501)	501	(29.85) 1.175	(13.28) .523	() OVERALL	(5.41) .213	(4.01) .158	() N/A	90°	2-18		BULK PER PK-41792-002
	A-41792-0085/0101	41790-0002/0018	2161-64(503)	503	(29.85) 1.175	(13.28) .523	() OVERALL	(5.41) .213	(4.01) .158	() N/A	90°	2-18		BULK PER PK-41792-002
	A-41792-0102/0118	41790-0002/0018	2161-37(122)	122	(27.94) 1.100	(11.43) .450	() N/A	(5.41) .213	(3.96) .156	() OVERALL	90°	2-18		BULK PER PK-41792-002



	A-41792-0019/0035			A-41792-0036/0050			A-41792-0051/0067			A-41792-0068/0084			A-41792-0085/0101			A-41792-0102/0118		
	EDP NO.	ENG. NO.	NO OF CKTS	EDP NO.	ENG. NO.	NO OF CKTS	EDP NO.	ENG. NO.	NO OF CKTS	EDP NO.	ENG. NO.	NO OF CKTS	EDP NO.	ENG. NO.	NO OF CKTS	EDP NO.	ENG. NO.	NO OF CKTS
D	26-61-5020	A-41792-0019	2				26-60-5021	A-41792-0051	2	26-61-5021	A-41792-0068	2		A-41792-0085	2	26-62-5022	A-41792-0102	2
	26-61-5030	A-41792-0020	3				26-60-5031	A-41792-0052	3	26-61-5031	A-41792-0069	3		A-41792-0086	3	26-62-5032	A-41792-0103	3
	26-61-5040	A-41792-0021	4	26-61-5043	A-41792-0036	4	26-60-5041	A-41792-0053	4	26-61-5041	A-41792-0070	4	26-61-5042	A-41792-0087	4	26-62-5042	A-41792-0104	4
	26-61-5050	A-41792-0022	5	26-61-5053	A-41792-0037	5	26-60-5051	A-41792-0054	5	26-61-5051	A-41792-0071	5		A-41792-0088	5	26-62-5052	A-41792-0105	5
	26-61-5060	A-41792-0023	6	26-61-5063	A-41792-0038	6	26-60-5061	A-41792-0055	6	26-61-5061	A-41792-0072	6	26-61-5062	A-41792-0089	6	26-62-5062	A-41792-0106	6
	26-61-5070	A-41792-0024	7	26-61-5073	A-41792-0039	7	26-60-5071	A-41792-0056	7	26-61-5071	A-41792-0073	7		A-41792-0090	7	26-62-5072	A-41792-0107	7
	26-61-5080	A-41792-0025	8	26-61-5083	A-41792-0040	8	26-60-5081	A-41792-0057	8	26-61-5081	A-41792-0074	8	26-61-5082	A-41792-0091	8	26-62-5082	A-41792-0108	8
	26-61-5090	A-41792-0026	9	26-61-5093	A-41792-0041	9	26-60-5091	A-41792-0058	9	26-61-5091	A-41792-0075	9		A-41792-0092	9	26-62-5092	A-41792-0109	9
C	26-61-5100	A-41792-0027	10	26-61-5103	A-41792-0042	10	26-60-5101	A-41792-0059	10	26-61-5101	A-41792-0076	10	26-61-5102	A-41792-0093	10	26-62-5102	A-41792-0110	10
	26-61-5110	A-41792-0028	11	26-61-5113	A-41792-0043	11	26-60-5111	A-41792-0060	11	26-61-5111	A-41792-0077	11		A-41792-0094	11	26-62-5112	A-41792-0111	11
	26-61-5120	A-41792-0029	12	26-61-5123	A-41792-0044	12	26-60-5121	A-41792-0061	12	26-61-5121	A-41792-0078	12	26-61-5122	A-41792-0095	12	26-62-5122	A-41792-0112	12
	26-61-5130	A-41792-0030	13	26-61-5133	A-41792-0045	13	26-60-5131	A-41792-0062	13	26-61-5131	A-41792-0079	13		A-41792-0096	13	26-62-5132	A-41792-0113	13
	26-61-5140	A-41792-0031	14	26-61-5143	A-41792-0046	14	26-60-5141	A-41792-0063	14	26-61-5141	A-41792-0080	14		A-41792-0097	14	26-62-5142	A-41792-0114	14
	26-61-5150	A-41792-0032	15	26-61-5153	A-41792-0047	15	26-60-5151	A-41792-0064	15	26-61-5151	A-41792-0081	15		A-41792-0098	15	26-62-5152	A-41792-0115	15
B	26-61-5160	A-41792-0033	16	26-61-5163	A-41792-0048	16	26-60-5161	A-41792-0065	16	26-61-5161	A-41792-0082	16		A-41792-0099	16	26-62-5162	A-41792-0116	16
	26-61-5170	A-41792-0034	17	26-61-5173	A-41792-0049	17	26-60-5171	A-41792-0066	17	26-61-5171	A-41792-0083	17		A-41792-0100	17	26-62-5172	A-41792-0117	17
	26-61-5180	A-41792-0035	18	26-61-5183	A-41792-0050	18	26-60-5181	A-41792-0067	18	26-61-5181	A-41792-0084	18		A-41792-0101	18	26-62-5182	A-41792-0118	18

SEE SHEET I				SEE SHEET I				DIMENSIONS SHOWN (METRIC) INCH		REVISIONS		UNLESS OTHERWISE SPECIFIED TOLERANCES ANGULAR ± 1/2°		TITLE FRICITION LOCK HEADER ASSY .156 Q BENT SQ PINS, W/O PEGS 41792 SERIES DWG		REVISIONS		MOLEX INCORPORATED		SHEET NO. 3		DATE 06/28/88	
SEE SHEET I				SEE SHEET I				INCH METRIC		E		3 PLACE ± ±		SEE CHART		SDA-41792		PART NO. 1515E.JLL. 60532 U.S.A.		DRWG. NO.			
SEE SHEET I				SEE SHEET I				1 PLACE ± ±		C		DRAFT WHERE APPLICABLE MUST REMAIN WITHIN DIMENSIONS		SCALE				FILE NAME 541792X3		DIV. C		SIZE C	
SEE SHEET I				SEE SHEET I				A21		A12		BY SAMEIC		CHK'D BY PATEL									
SEE SHEET I				SEE SHEET I				A12		LENZ													