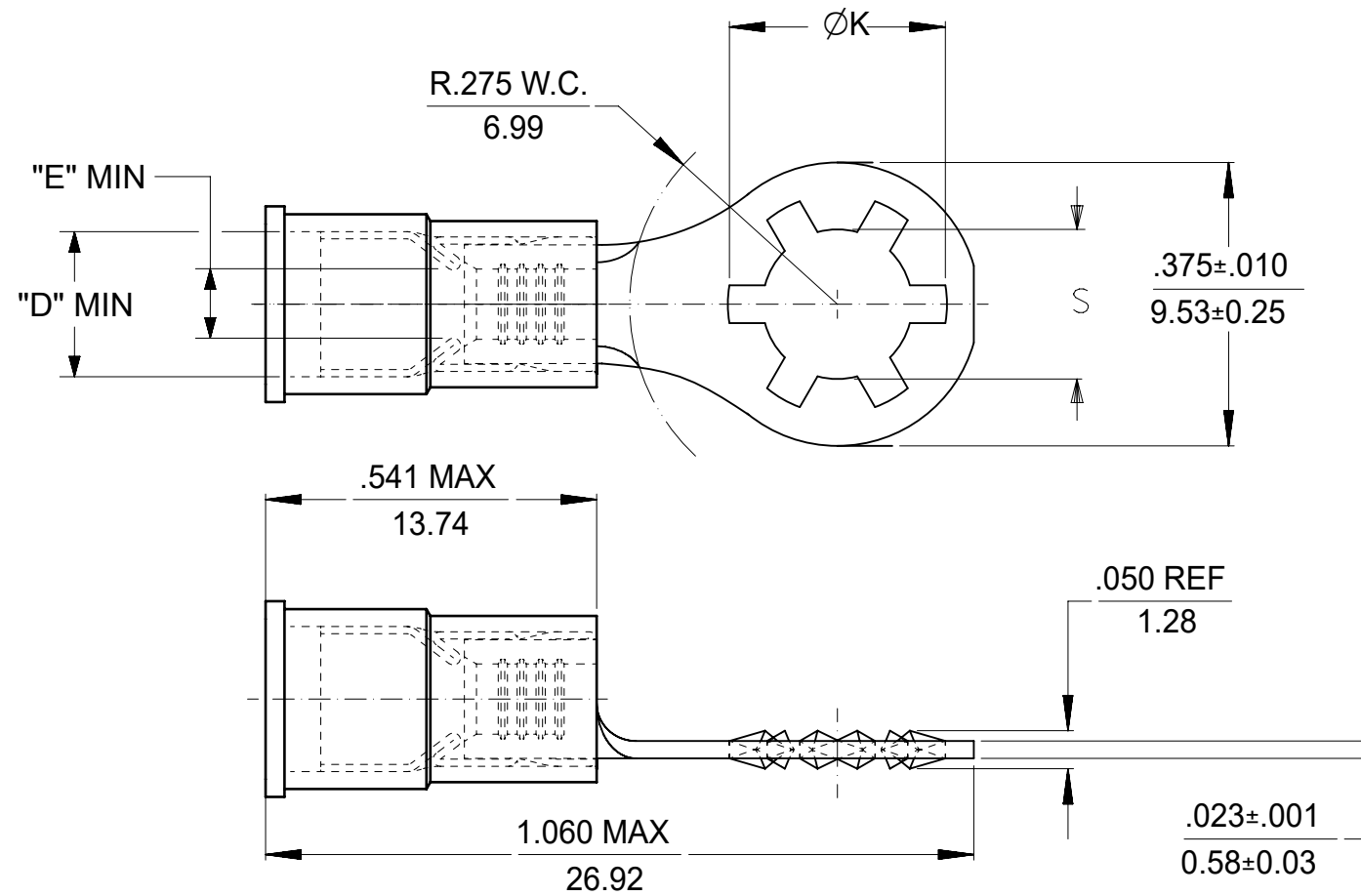


MATERIAL NO.	ENG NO.	HOUSING COLOR WIRE AWG	TERMINAL MAT'L	S ±.007/.178	K REF	"D" MIN	"E" MIN
190760001	SRA-529-06	RED	BRASS	.146/3.71	.236/5.99	.140 (3.56)	.054 (1.37)
190760003	SRA-529-08	22-18 AWG		.173/4.40	.263/6.68		
190760005	SRA-529-10	(0.38-0.96MM ²)		.198/5.03	.288/7.32		
190760013	SRB-529-06	BLUE		.146/3.71	.236/5.99	.170 (4.32)	.084 (2.13)
190760015	SRB-529-08	16-14 AWG		.173/4.40	.263/6.68		
190760017	SRB-529-10	(1.23-1.94MM ²)		.198/5.03	.288/7.32		
190760007	SRA-S-529-06	RED	STEEL	.146/3.71	.236/5.99	.140 (3.56)	.054 (1.37)
190760009	SRA-S-529-08	22-18 AWG		.173/4.40	.263/6.68		
190760011	SRA-S-529-10	(0.38-0.96MM ²)		.198/5.03	.288/7.32		
190760019	SRB-S-529-06	BLUE		.146/3.71	.236/5.99	.170 (4.32)	.084 (2.13)
190760021	SRB-S-529-08	16-14 AWG		.173/4.40	.263/6.68		
190760023	SRB-S-529-10	(1.23-1.94MM ²)		.198/5.03	.288/7.32		



- A1**
- NOTE(S):
- FINISH:
TERMINAL: TIN-PLATED (BRASS OR STEEL)
FERRULE: TIN-PLATED BRASS
 - MWID: MAXIMUM WIRE INSULATION DIAMETER.
 - ASSEMBLY IS RoHS COMPLIANT.

ORIGINAL DRAWING WAS SD-19076-001

FUNCTIONAL SYMBOLS	THIS DRAWING CONTAINS INFORMATION THAT IS PROPRIETARY TO MOLEX ELECTRONIC TECHNOLOGIES, LLC AND SHOULD NOT BE USED WITHOUT WRITTEN PERMISSION	
	DIMENSION UNITS	SCALE
	INCH/MM	4:1
	CURRENT REV DESC: WAS DWG: SD-19076-001. UPDATE DWG & RMV BOM.	
GENERAL TOLERANCES (UNLESS SPECIFIED)		
4 PLACES	±	±
3 PLACES	±	±
2 PLACES	±	±
1 PLACE	±	±
0 PLACES	±	±
DIVISIONAL SYMBOLS		
ANGULAR TOL ± °		
DRAFT WHERE APPLICABLE MUST REMAIN WITHIN DIMENSIONS		
THIRD ANGLE PROJECTION	DRAWING	SERIES
	B-SIZE	19076
MATERIAL NUMBER		CUSTOMER
SEE CHART		
DOCUMENT NUMBER		DOC TYPE DOC PART REVISION
190760001		PSD 000 A1
EC NO: 672118		DRWN: DMYRICK 2021/07/30
CHK'D: JMACNEIL 2021/08/02		APPR: JMACNEIL 2021/08/02
INITIAL REVISION:		
DRWN:		
APPR:		
SHEET NUMBER		
1 OF 1		