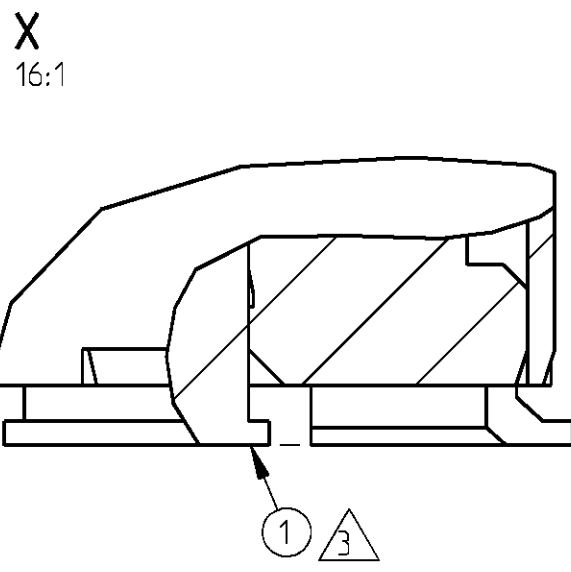
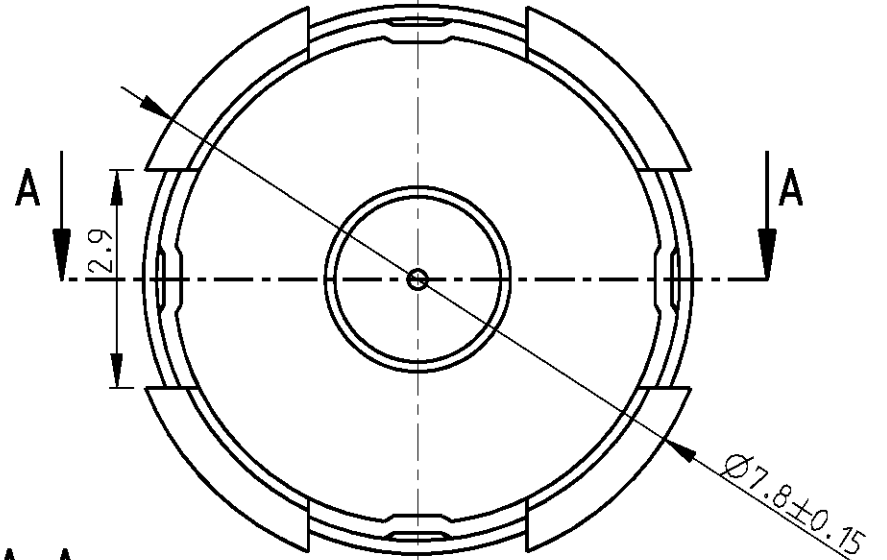
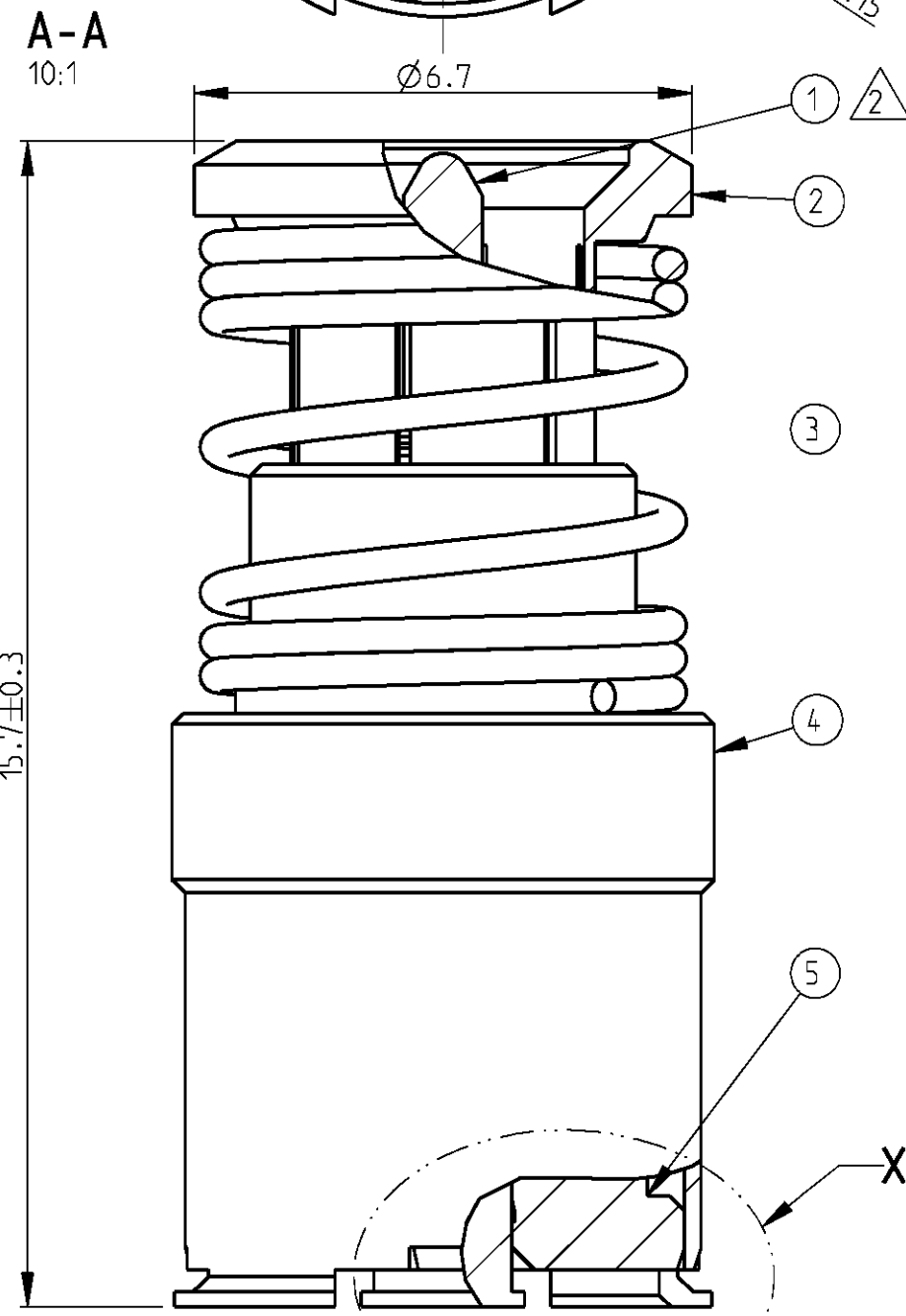
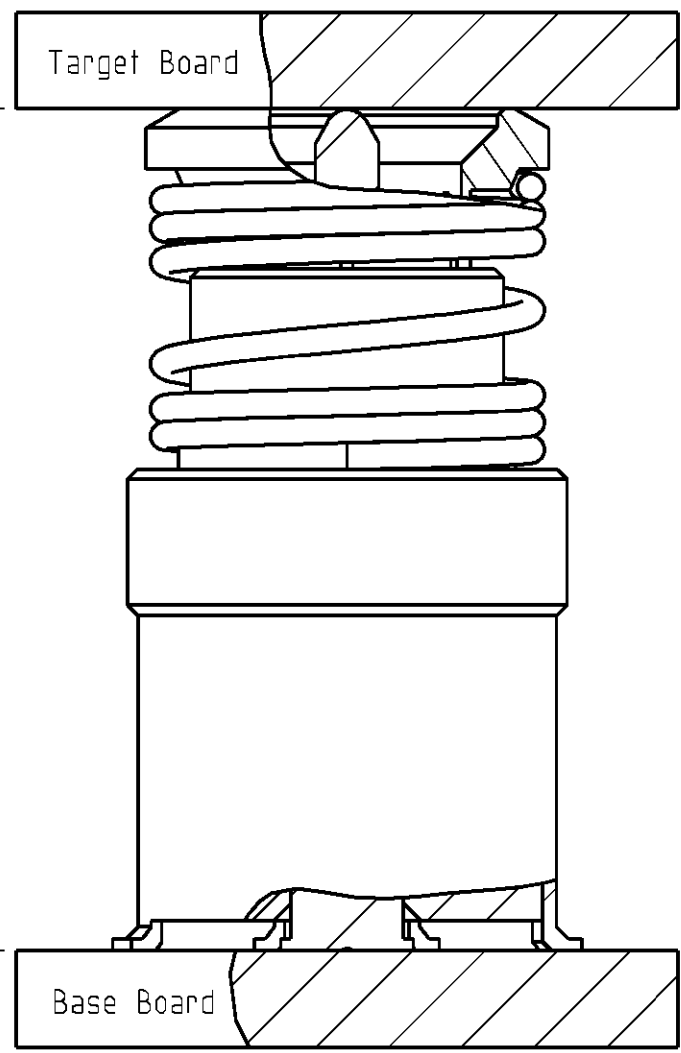


LOC	DIST	REVISIONS				
P	LTR	DESCRIPTION	DATE	DWN	APVD	
GW	00	A2	EC SR10 - 0112 - 04	22DEC2004	RLU DB	



MATED BETWEEN BOARDS



$\triangle 1$   
 + ↑ REFERENCE PLANE  
 0: +0.06  
 - ↓ -0.02

THIS DRAWING IS A CONTROLLED DOCUMENT FOR TYCO ELECTRONICS CORPORATION. IT IS SUBJECT TO CHANGE AND THE CONTROLLING ENGINEERING ORGANIZATION SHOULD BE CONTACTED FOR THE LATEST REVISION.

DIMENSIONS:		TOLERANCES UNLESS OTHERWISE SPECIFIED:	
mm			
	0 PLC	±0.2	
	1 PLC	±0.2	
	2 PLC	±0.1	
	3 PLC	±	
	4 PLC	±	
	ANGLES	±2°	
MATERIAL	FINISH	-	-

DWN	S. Kempter	22JUL02
CHK	B. Rithener	22JUL02
APVD	-	-
PRODUCT SPEC	108-71060	
APPLICATION SPEC	-	
WEIGHT	-	
CUSTOMER DRAWING		

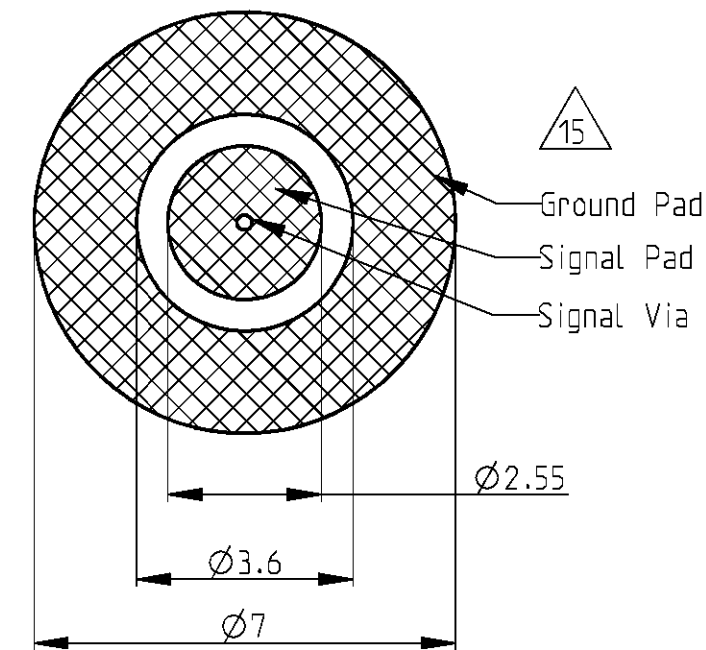
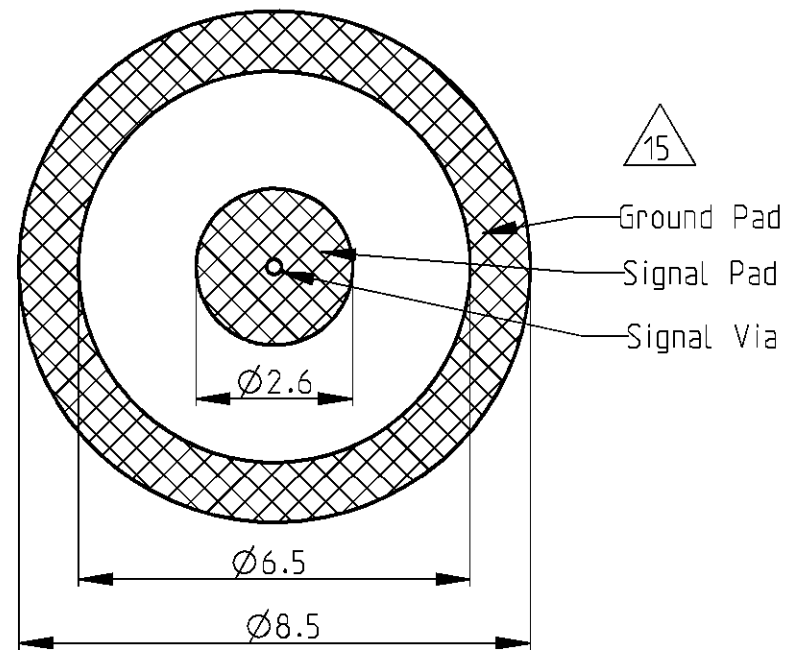
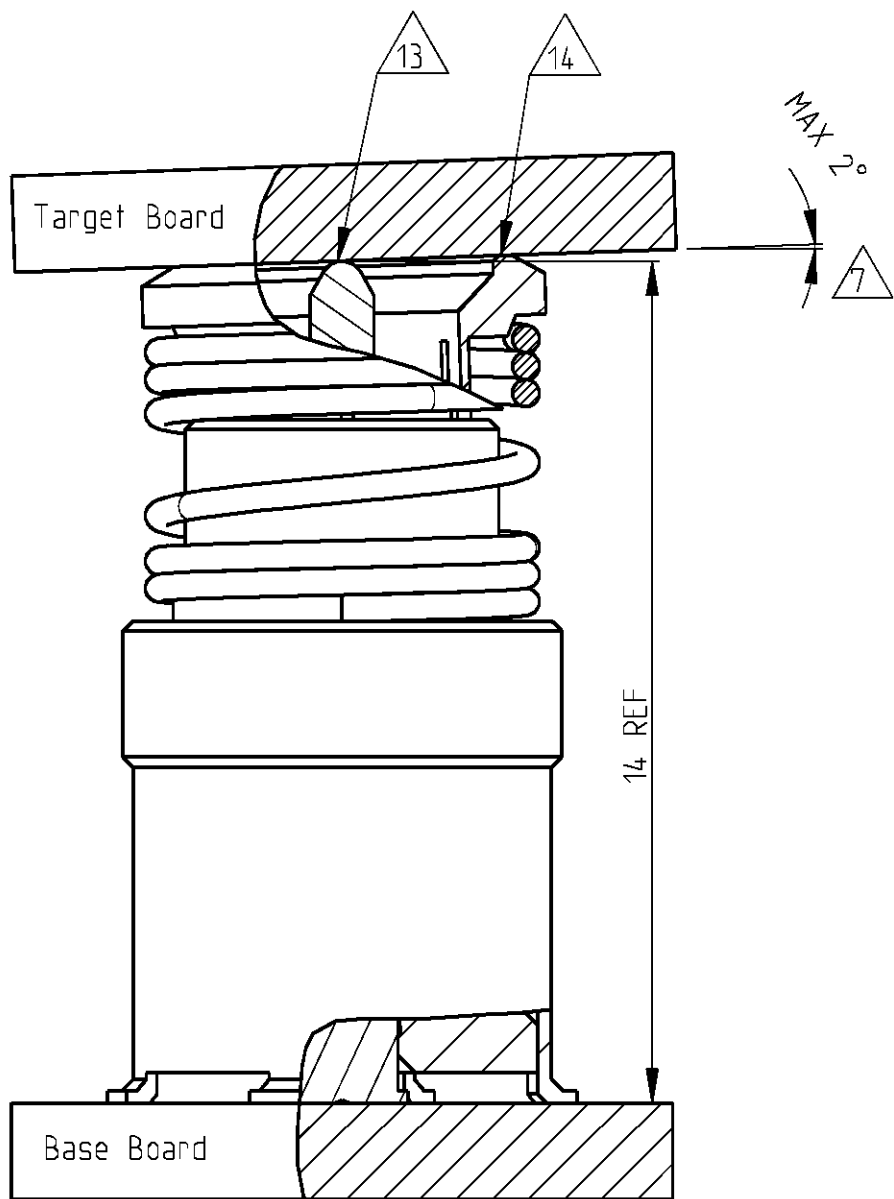
<b>tyco</b>		Tyco Electronics	
<b>Electronics</b>		Oostkamp - Belgium	
NAME BOARD-TO-BOARD CONNECTOR 14 MM HEIGHT			
SIZE	CAGE CODE	DRAWING NO	RESTRICTED TO
A3	00779	619127	-
SCALE 8:1		SHEET 1 OF 3	REV A2

LOC	DIST	REVISIONS			
P	LTR	DESCRIPTION	DATE	DWN	APVD
GW	00	- see sheet 1	-	-	-

- 1 POSITION OF CENTER CONTACT
- 2 PLATING 0.15 μm Au OVER NiP
- 3 PLATING 0.3 μm Au OVER NiP,
- 4 1 CONNECTOR PACKED IN PLASTIC BAG
- 5 DISTANCE BETWEEN PRINTED CIRCUIT BOARDS
- 6 MISALIGNMENT BETWEEN CONNECTOR AXIS AND TARGET LAYOUT ON TARGET BOARD: MAX 0.8 mm
- 7 ANGLE BETWEEN PRINTED CIRCUIT BOARDS

8 RECOMMENDED LAYOUT ON BASE BOARD

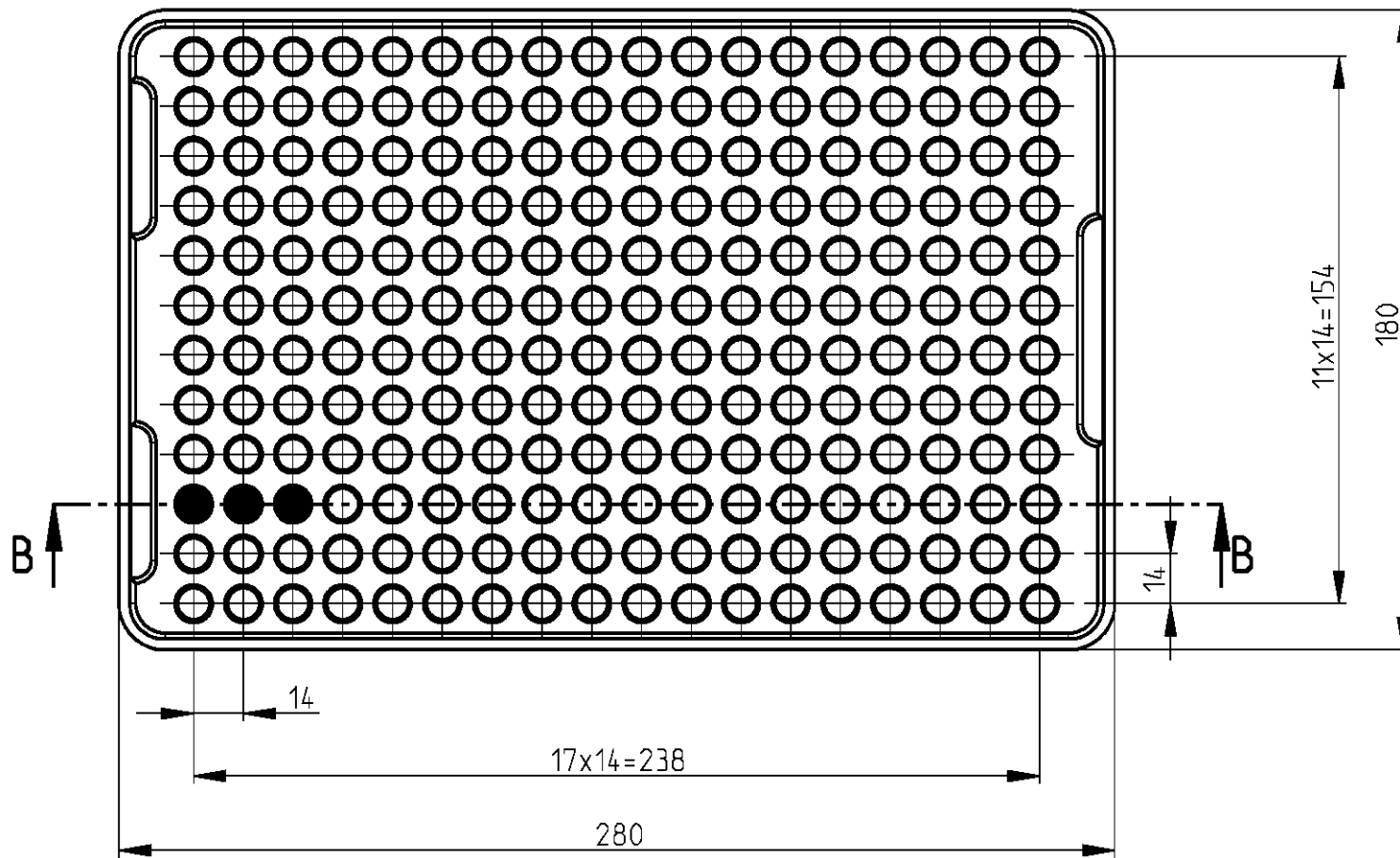
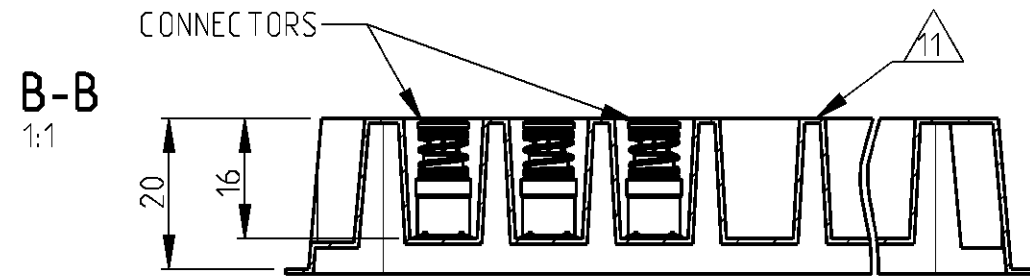
9 RECOMMENDED TARGET LAYOUT ON TARGET BOARD



1	1	5	DIELECTRIC	PCT / PEEK	
1	1	4	OUTER SHELL	CuZn	2
1	1	3	SPRING	STAINLESS STEEL	
1	1	2	CONTACT RING	CuSn	2
1	1	1	CENTER CONTACT ASSEMBLY	CuZn, STAINLESS STEEL	2 3
5--1	-1	ITEM	DESCRIPTION	MATERIAL	PLATING
10	4	ORDER N°	ORDER N°		

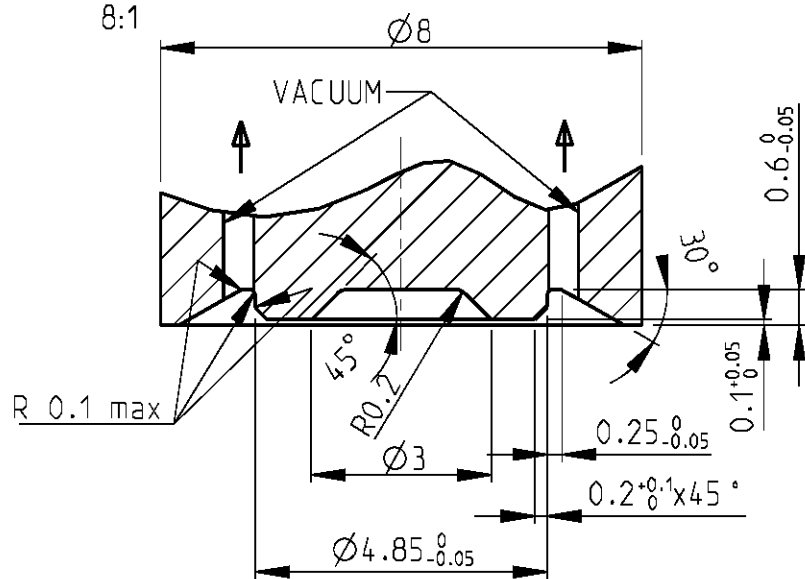
<small>THIS DRAWING IS A CONTROLLED DOCUMENT FOR TYCO ELECTRONICS CORPORATION. IT IS SUBJECT TO CHANGE AND THE CONTROLLING ENGINEERING ORGANIZATION SHOULD BE CONTACTED FOR THE LATEST REVISION.</small>		DWN S. Kempter 22JUL02 CHK B. Rithener 22JUL02 APVD - PRODUCT SPEC 108-71060 APPLICATION SPEC - WEIGHT -	<b>tyco</b> <b>Electronics</b> Tyco Electronics Oostkamp - Belgium
DIMENSIONS: mm 	TOLERANCES UNLESS OTHERWISE SPECIFIED: 0 PLC ±0.05 1 PLC ±0.05 2 PLC ±0.05 3 PLC ± 4 PLC ± ANGLES ±2° MATERIAL - FINISH -	NAME BOARD-TO-BOARD CONNECTOR 14 MM HEIGHT SIZE A3 CAGE CODE 00779 DRAWING NO C-619127 RESTRICTED TO - CUSTOMER DRAWING SCALE 8:1 SHEET 2 OF 3 REV A2	

LOC	DIST	REVISIONS				
P	LTR	DESCRIPTION	DATE	DWN	APVD	
GW	00	- see sheet 1	-	-	-	

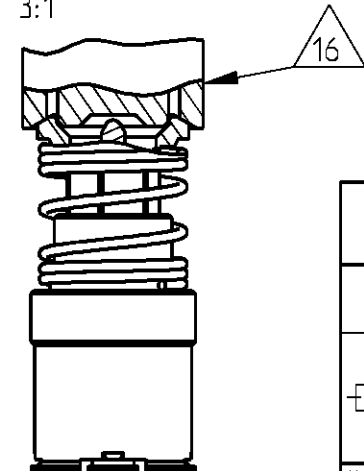


- △10 PACKAGING:  
 -216 CONNECTORS PER TRAY  
 -10 TRAYS PER SHIPPING BOX  
 -SHIPPING BOX DIMENSIONS (LxBxH): 287x187x200
- △11 ANTISTATIC MATERIAL
- 12 - ALTERNATIVE PACKAGING IN TAPE AND REEL
- △13 CONTACT FORCE FOR CENTER CONDUCTOR:  
 F MAX. = 2.8 N (Total length compressed at 13 mm)
- △14 CONTACT FORCE FOR CONTACT RING:  
 F MAX. = 5.3 N (Total length compressed at 13 mm)
- △15 RECOMENDED PCB CHARACTERISTICS :  
 - PLATING Au, SURFACE ROUGHNESS Rz4 MAX.  
 - PCB MATERIAL FR4  
 - PCB THICKNESS MIN. 0.8 mm
- △16 RECOMENDED NOZZLE DESIGN

NOZZLE DETAIL 8:1



NOZZLE DETAIL 3:1



THIS DRAWING IS A CONTROLLED DOCUMENT FOR TYCO ELECTRONICS CORPORATION IT IS SUBJECT TO CHANGE AND THE CONTROLLING ENGINEERING ORGANIZATION SHOULD BE CONTACTED FOR THE LATEST REVISION.

DIMENSIONS:		TOLERANCES UNLESS OTHERWISE SPECIFIED:	
mm			
0 PLC	±0.05	1 PLC	±0.05
2 PLC	±0.05	3 PLC	±
4 PLC	±	ANGLES	±2°
MATERIAL	-	FINISH	-

DWN	S. Kempter	22JUL02
CHK	B. Rithener	22JUL02
APVD	-	-
PRODUCT SPEC	108-71060	
APPLICATION SPEC	-	
WEIGHT	-	
CUSTOMER DRAWING		

<b>tyco</b> Electronics		Tyco Electronics Oostkamp - Belgium	
NAME BOARD-TO-BOARD CONNECTOR 14 MM HEIGHT			
SIZE	CAGE CODE	DRAWING NO	RESTRICTED TO
A3	00779	619127	-
SCALE -		SHEET 3 OF 3	REV A2