

6

5

4

3

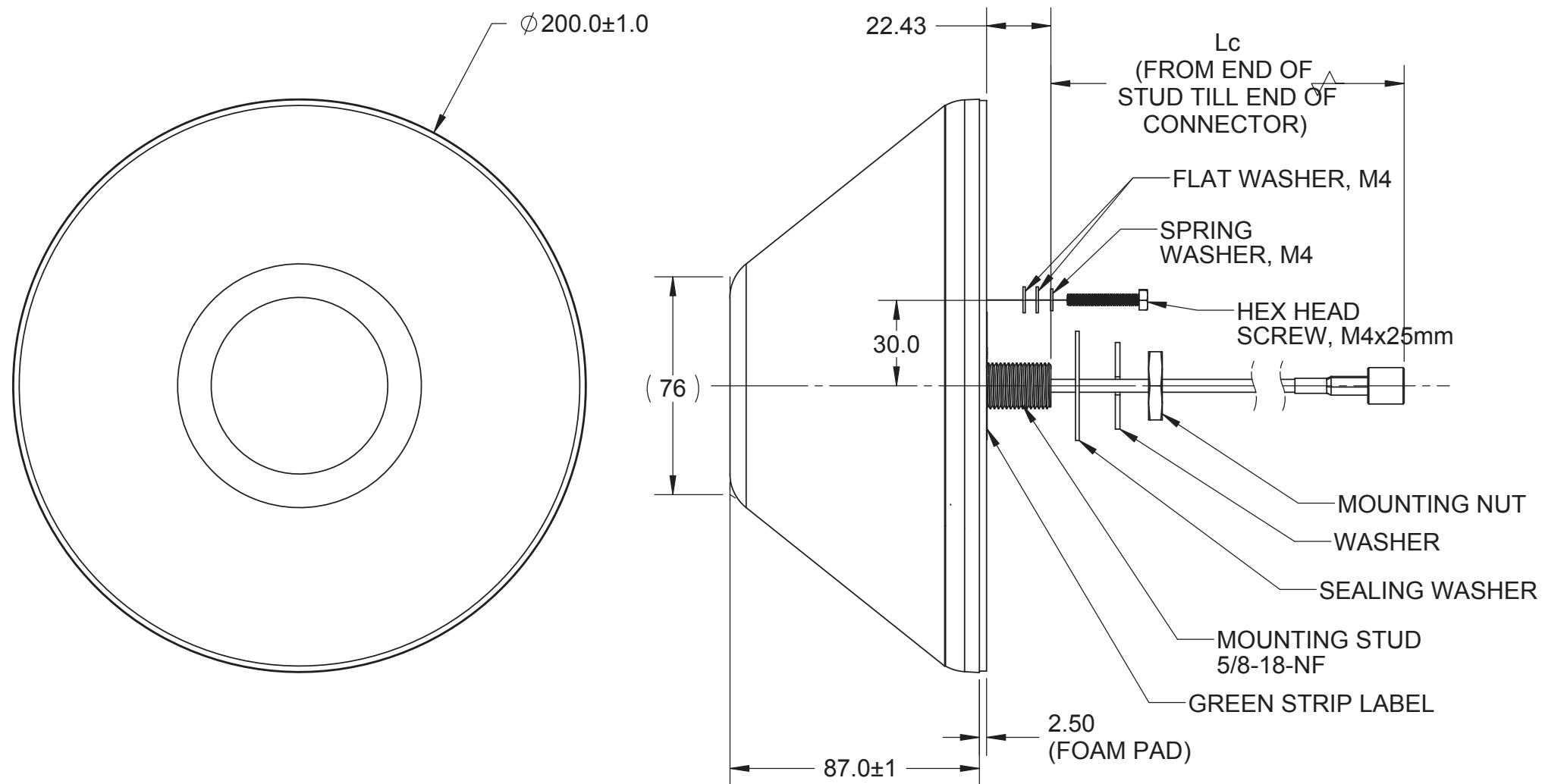
2

1

THIS DRAWING IS UNPUBLISHED.	RELEASED FOR PUBLICATION	-,-
© Copyright 2022 TE Connectivity Ltd.	ALL RIGHTS RESERVED.	

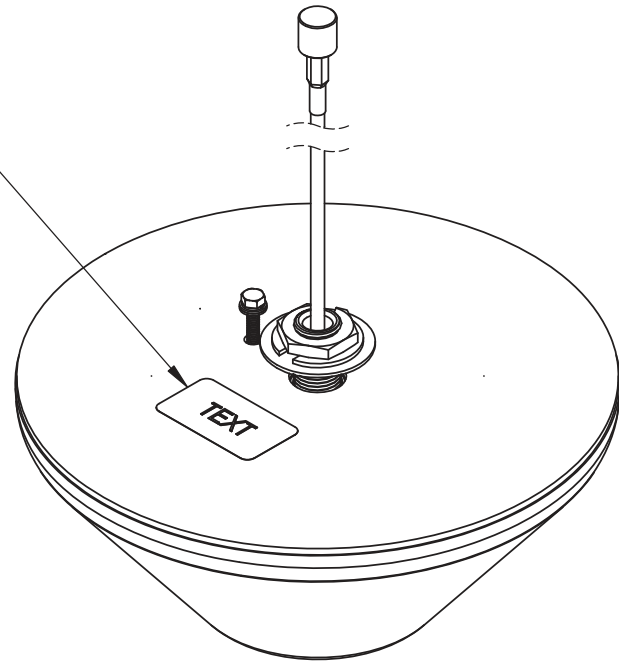
REVISIONS					
REV.	ECR#	ZONE	DESCRIPTION	CHANGED BY/DATE	APPROVED BY/DATE
AA			PRODUCTION RELEASE	WT NG 11-13-13	HANG 11-13-13

**APPROVED**



Parameter	Performance
Model Number	SMS69273-91NF
Frequency	698 - 806 MHz 824 - 894 MHz 925 - 960 MHz 1710 - 1885 MHz 1920 - 1980 MHz 2110 - 2170 MHz 2500 - 2690 MHz
Elevation Plane 3dB Beamwidth	60° @ 698 - 960 MHz 50° @ 1700 - 2200 MHz 40° @ 2500 - 2700 MHz
Peak Gain	698 - 960 MHz Gain = 0.8 dBi 1700-2200 MHz Gain = 0.2 dBi 2500-2700 MHz Gain = 0.2 dBi
Polarization	Linear, Vertical
Impedance	50Ω
VSWR	2.0:1 Max.
Power	3 Watts
Pigtail Length, Lc	910mm +/- 18mm
RF Connector	N-Type, Female
Cable Type	LMR-195 or Equivalent
Radome	PC, UV stabilized, Black
Material Substance Compliance	ROHS
Flame Retardancy	UL-94 V0
Operating Temperature Range	-40°C to +70°C
Storage Temperature Range	-40°C to +70°C
IK Rating	IK 08
IP Rating	IP-67
Antenna Weight	Approx. 0.75 kg

UNIT LABEL  
(PLACED  
APPOXIMATELY  
AS SHOWN)



MATERIAL: N/A			THIRD ANGLE PROJECTION
FINISH: N/A			
APPROVALS			DO NOT SCALE DRAWING
DRAWN BY	WT NG	DATE	INTERPRET DIMENSIONING AND TOLERANCING IN ACCORDANCE WITH ASME Y14.5M-2009 <b>TOLERANCES UNLESS OTHERWISE SPECIFIED</b> DIMENSIONS ARE IN MILLIMETERS
PROJ. ENG.	LL TEOH	11/24/11	
APPL. MECH.	GJ CHIN	11/24/11	
MFG.	CH FONG	11/24/11	
			ANGLE: 0 PLACE DECIMAL: ±30' 1 PLACE DECIMAL: ±0.5 2 PLACE DECIMAL: ±0.25 SURFACE ROUGHNESS 1.6/√

TITLE: <b>SMS69273-91NF</b>		
SIZE <b>A3</b>	DWG. NO. <b>SMS69273-91NFMMO</b>	REV <b>AA</b>
SCALE: 1:2	PREVIOUS#	SHEET 1 OF 1

6

5

4

3

2

1