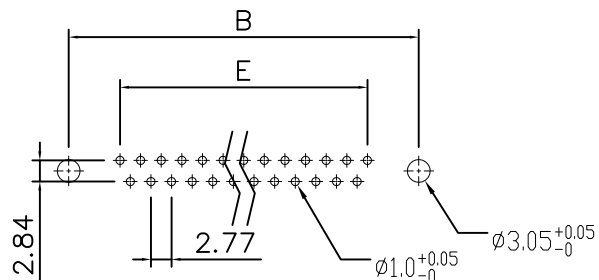
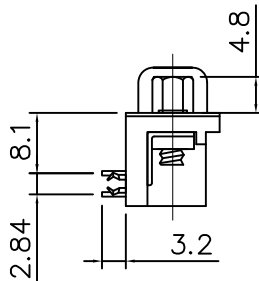
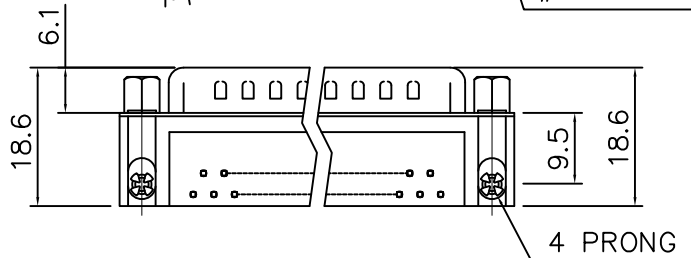
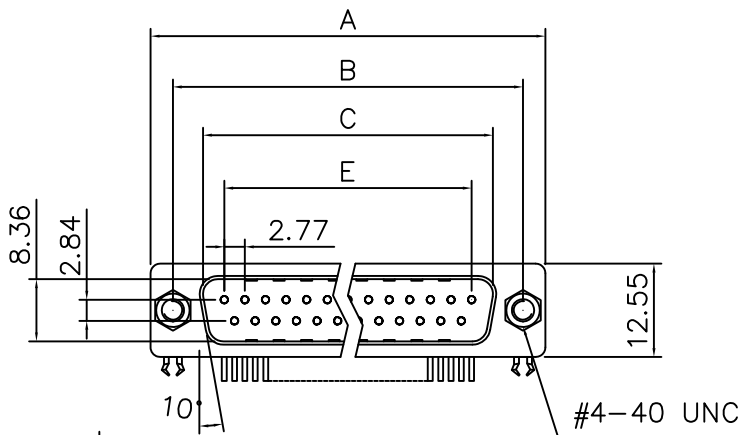


This document is the property of Amphenol Corporation and is delivered on the express condition that it is not to be disclosed, reproduced or used, in whole or in part, for manufacture or sale by anyone other than Amphenol Corporation without its prior consent, & that no right is granted to disclose or to use any information in this document.

Customer drawing



Recommended PCB layout
Tolerance: $\pm 0.05\text{mm}$



Dimensions

Positions	A	B	C	E
09	30.81	24.99	16.92	11.08
15	39.20	33.30	25.25	19.39
25	53.05	47.04	38.96	33.24
37	69.40	63.50	55.42	49.86

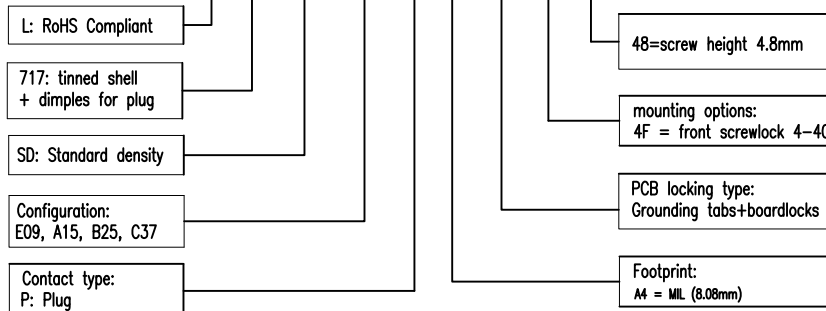
REVISIONS				
SYM	ECN	DESCRIPTION	DATE	APPROVED
1	HK--	First Release Drawing	10/06/17	IP

D-SUB TECHNICAL DATA

- SHELL : SPCC, 100u" min tin over 50u" min nickel over 50u" copper
- BODY : PBT, UL 94V-0, Color:Black.
- CONTACTS : Copper Alloy
Gold flash over 50u" min nickel on mating area
100u" min tin over 50u" min nickel on solder area
- REAR NUT : Copper Alloy, Nickel plated
- SCREWLOCK: Copper Alloy, Nickel plated
- BOARDLOCK: Copper Alloy, Tin plated
- ELECTRICAL : Voltage Rating 250 V Rms Max
Current Rating 3A
Withstanding Voltage >1000 V Rms
Insulation Resistance >1000 M Ohms
Contact Resistance 20 mOhms max.
- MARKING : Amphenol...(Series No.)
Commercial reference
Manufacturing date

PRODUCT CODE

L 717 SD XXX P A4 CH 4F 48



UNLESS OTHERWISE SPECIFIED TOLERANCES	APPROVAL	DATE
U.S. METRIC	DRAWN Simon	06/20/17
.X +/- 0.50	CHECKED Tony Tang	06/20/17
.XX +/- 0.30	CHECKED	
.XXX +/- 0.20		
FRACTIONS +/- 5'		
ANGLES +/-		
FOR MATERIALS AND FINISHES SEE NOTES	DRAWING FILE :	
REMOVE SHARP EDGES	ANGLE OF PROJECTION	
DIMENSIONS		
U.S. INCHES		
METRIC MM		

Amphenol		
D-SUB connector, SD Series		
TITLE		
SIZE	DRAWING NO.	REV.
A4	L717SDXXXPA4CH4F48	1
SCALE	NONE	SHEET 1 OF 1