

Customer Information Sheet

DRAWING No.: M22-55202XXR

SHEET 2 OF 2

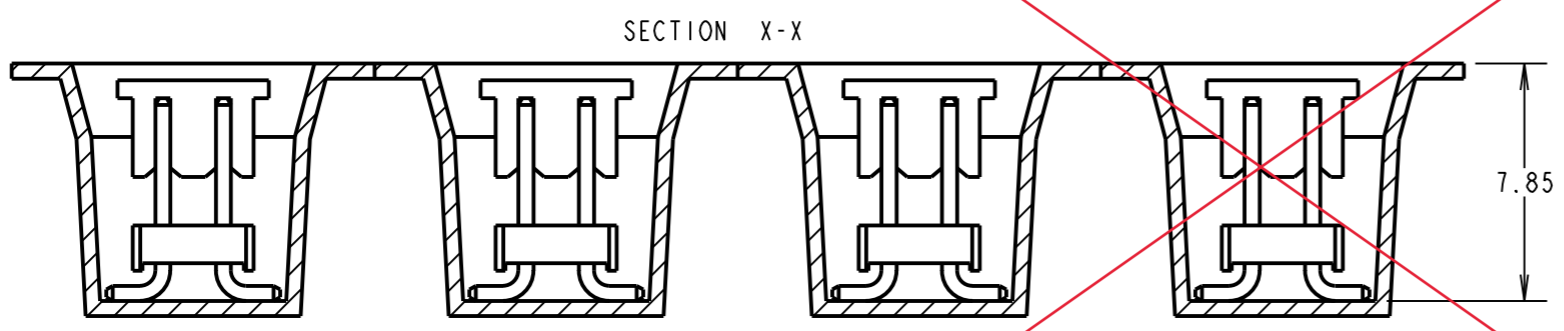
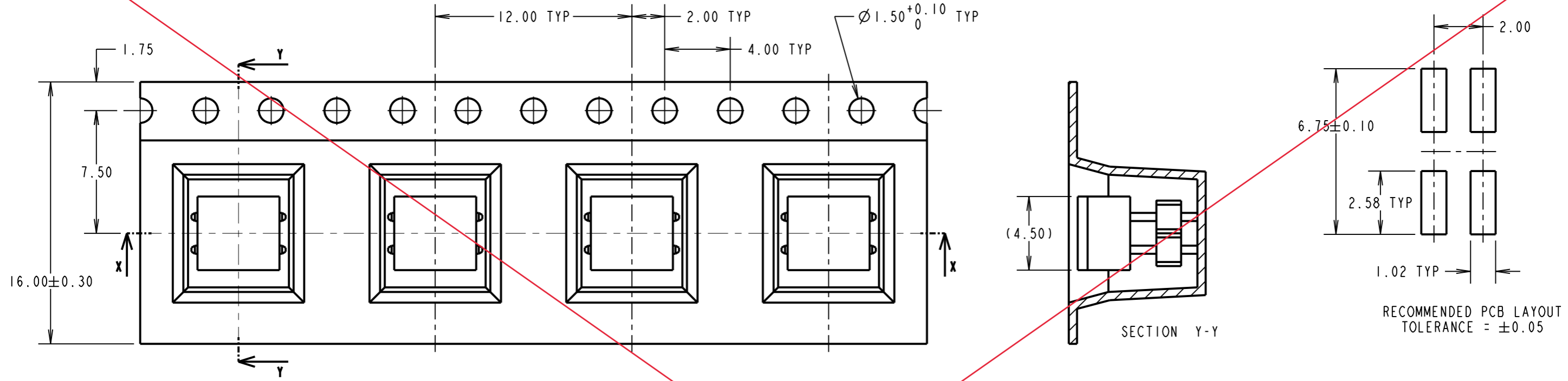
IF IN DOUBT - ASK

©

NOT TO SCALE

THIRD ANGLE PROJECTION

ALL DIMENSIONS IN mm



OBSOLETE

- NOTES:
- SEE DRAWING M22-552XXXXP FOR TUBE PACKED VERSION OR M22-552XXXX FOR STANDARD PRODUCT.
 - PICK AND PLACE CAP IS 5.00±0.15mm IN WIDTH AND 4.50±0.20mm IN LENGTH. CAP IS LOCATED CENTRALLY ON THE CONNECTOR.
 - ALL PRODUCT IS LEAD-FREE.

SPECIFICATIONS:

MATERIAL:
 MOULDING, PICK & PLACE CAP = NYLON 6T, UL94V-0, BLACK
 CONTACTS = PHOSPHOR BRONZE

FINISH:
 05 = GOLD FLASH OVER NICKEL
 46 = 100% TIN OVER NICKEL

ELECTRICAL:
 CURRENT RATING = 2A
 VOLTAGE PROOF = 500V AC FOR ONE MINUTE
 CONTACT RESISTANCE = 20mΩ MAX
 INSULATION RESISTANCE:
 INITIAL = 1.000MΩ MIN

MECHANICAL:
 DURABILITY = 300 OPERATIONS MIN

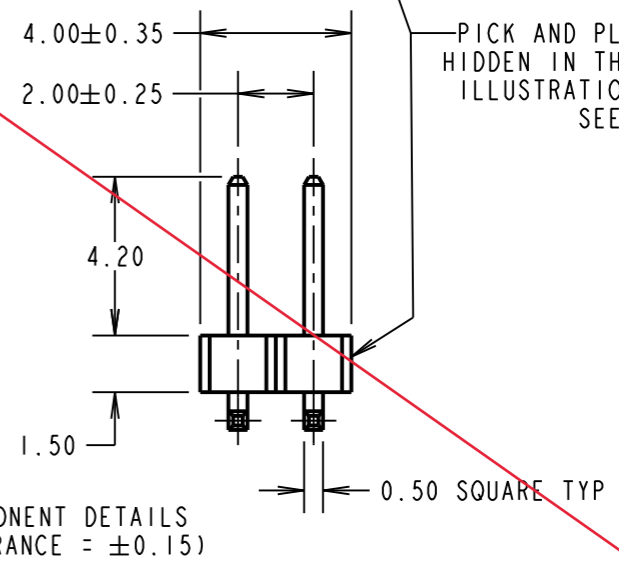
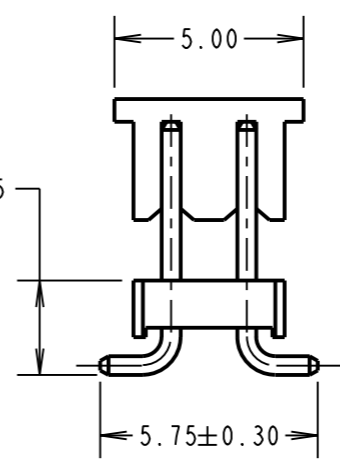
ENVIRONMENTAL:
 TEMPERATURE RANGE = -40°C TO +105°C

FOR COMPLETE SPECIFICATION, SEE COMPONENT SPECIFICATION C018XX (LATEST ISSUE)

ORDER CODE:
M22-55202XXR

No. OF CONTACTS PER ROW
 02

FINISH
 05 - GOLD FLASH OVER NICKEL
 46 - 100% TIN OVER NICKEL



SB	2	11.12.13	12305
NAME	ISS.	DATE	C/NOTE
APPROVED:		S.BENNETT	
CHECKED:		S.FLOWER	
DRAWN:		S.BENNETT	
CUSTOMER REF.:			
ASSEMBLY DRG:			

HARWIN

www.harwin.com
 technical@harwin.com

THIS DRAWING AND ANY INFORMATION OR DESCRIPTIVE MATTER SET OUT HEREON ARE CONFIDENTIAL AND COPYRIGHT PROPERTY OF THE HARWIN GROUP AND MUST NOT BE DISCLOSED, LOANED, COPIED OR USED FOR MANUFACTURING, TENDERING OR FOR ANY OTHER PURPOSE WITHOUT THEIR WRITTEN PERMISSION.

TOLERANCES
 X. = ±1mm
 X.X = ±0.25mm
 X.XX = ±0.10mm
 X.XXX = ±0.01mm
 ANGLES = ±5°
 UNLESS STATED

MATERIAL:
 SEE ABOVE

FINISH:
 SEE ABOVE

S/AREA:
 mm²

TITLE:
 2.00mm PITCH DIL
 SMT PIN HEADER ASSEMBLY
 (IN TAPE AND REEL)

DRAWING NUMBER:
M22-55202XXR

SHT
 2 OF 2