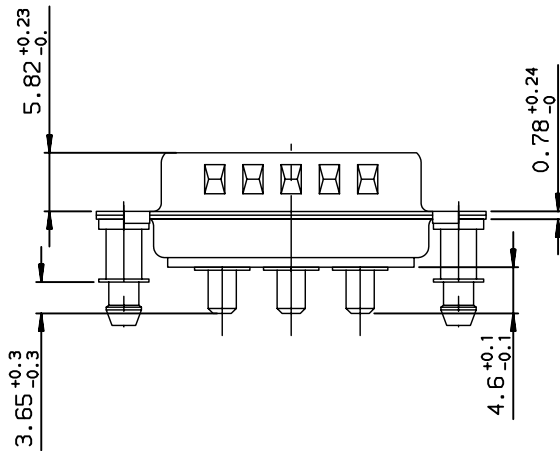
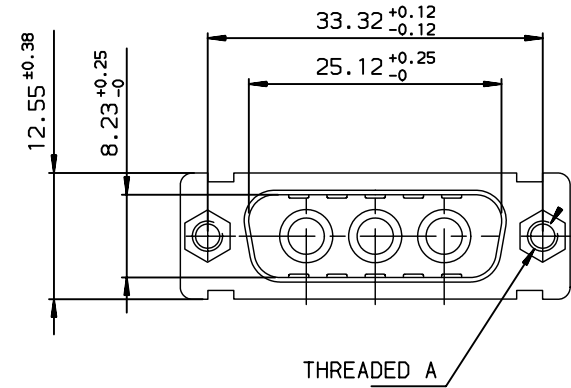
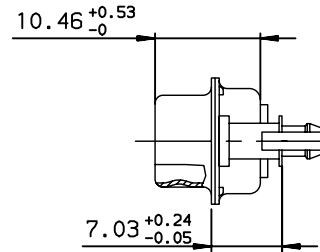
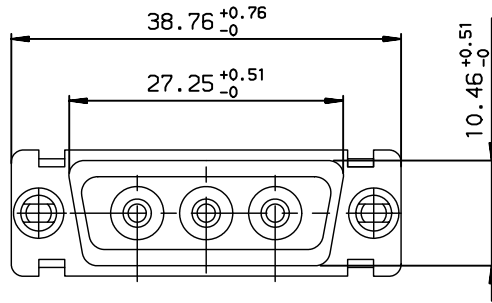
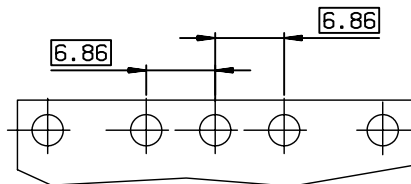


GENERAL CHARACTERISTICS : SEE DRAWING C01-8639-0001



DAL3W3P300H40	M 3
DA03W3P300H40	UNC 4.40
PART NUMBER	Threaded A

LAYOUT DIMENSIONS (after plating)
CONNECTOR SIDE VIEW



rev	ecn no	dr	date
B	-	CJA	2003/09/29
C	LS07-0302	MPE	2007/11/29
-	-	-	-
-	-	-	-
-	-	-	-
-	-	-	-

www.fciconnect.com		surface ISO 1302 ✓	tolerance std ISO 406 ISO 1101	projection A3	mm
TOLERANCES UNLESS OTHERWISE SPECIFIED					
Dr	JARRY	2003/09/29	ANGULAR	0.X	±0.1
Eng	JARRY	2003/09/29	LINEAR	0.XX	±0.1
Chr	LEGARE	2003/09/29	0.XX' ±2'	0.XXX	±0.1
Appr	LEGARE	2003/09/29	Product family	SUB	Spec ref -
PIN CONNECTOR SUB D WITH POWERS CONTACTS				dwg no C01-8639-1774	Rev. C
catalog no				-	CUSTOMER sheet 1 of 1

European Views

Copyright FCJ,