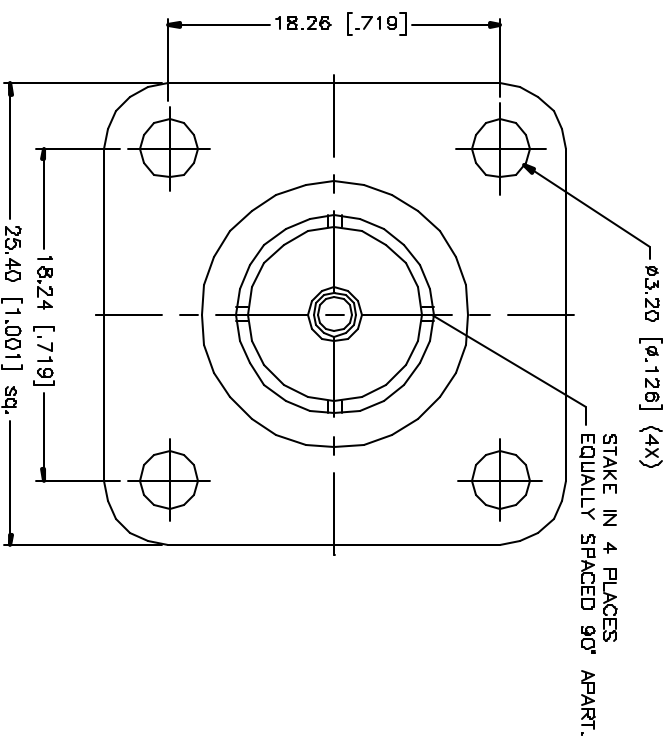
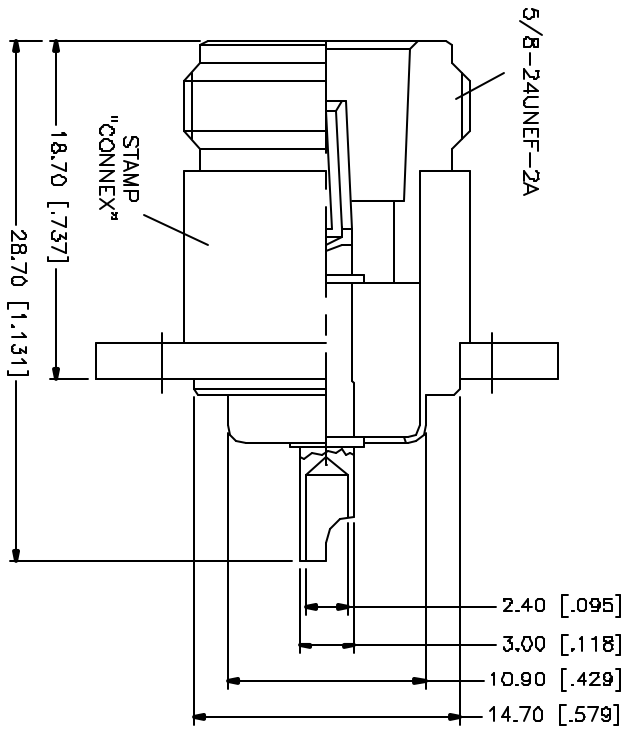


REV.	DATE	DESCRIPTION
A	05/01/04	UPDATE DRAWING FORMAT



REV.	DATE	DESCRIPTION
8		
7		
6		
5		
4		
3		
2		
1		

DESCRIPTION	MATERIAL	FINISH	QTY
CONTACT PIN	PHOS. BRONZE	GOLD	1
INSULATOR	TEFLON	NATURAL	1
BODY	BRASS	NECOTE	1

UNLESS OTHERWISE SPECIFIED DIMENSIONS ARE IN INCHES AND THE DECIMAL EQUIVALENT (MM).
UNLESS OTHERWISE SPECIFIED DIMENSIONS FOR MILLING ARE:
0.05 - 0.250mm
0.5 - 30mm ± 0.40mm
30 - 120mm ± 0.50mm
UNLESS OTHERWISE SPECIFIED DIMENSIONS FOR TURNING ARE:
0.250 - 3.15 ± 0.007"
3.15 - 1.180 ± 0.015"
1.180 - 4.724 ± 0.030"

APPROVALS	DATE
DRAWN G.R.S.	05/01/04
CHECKED	
ISSUED	
SHEET 1 OF 1	

PART DESCRIPTION	PART NO.
N PANEL RECEPT, CAPTIVE CENTER CONTACT	172210

DO NOT SCALE DRAWINGS	CAD FILE	DWG. NO.	REV.	SIZE	SCALE
	C:/1722/172210.DWG	172210.DWG	A	A	NA

**Amphenol Connex**