

TOE MAXI® STYLE BLADE FUSE RATED 58V

RoHS



Specifications

Insulating Body:	Out of thermoplastic (UL 94-V0, heat-resistant)
Cover:	Out of thermoplastic (V0, transparent), Visible melting-element
Terminals:	Blade contacts Copper alloy, gal, Sn / alliage cuivreux, gal. Sn Edge-protected
Interrupting Rating:	1000 A @58 VDC
Complies with:	ISO 8820-3:2002(E) UL 248 Special Purpose Fuses

Ordering Information

Part Number	Package Size
142.6885.5xx2	1000

Description

The TOE is a MAXI® style fuse rated at 58V, featuring three piece design with copper contacts for excellent reliability in harsh environment conditions and low voltage drop. Current ratings 20A thru 70A. With see-through cover for easy detection of blown fuses.

Time-Current Characteristics

% of Rating	Opening Time Min / Max (s)
100	360,000 s / -
135	60 s / 1,800 s
200	2 s / 60 s
350	0.20 s / 7 s
600	0.040 s / 1 s

Ratings

Part Number	Current Rating	Housing Color	Typ. Voltage Drop Littelfuse max.	Cold Resistance	I ² t
142.6885.5202	20 A	Yellow	110 mV	3.70 mΩ	1,900 A²s
142.6885.5302	30 A	Green	100 mV	2.20 mΩ	6,000 A²s
142.6885.5402	40 A	Orange	80 mV	1.60 mΩ	12,000 A²s
142.6885.5502	50 A	Red	85 mV	1.20 mΩ	26,000 A²s
142.6885.5602	60 A	Blue	85 mV	0.90 mΩ	45,000 A²s
142.6885.5702	70 A	Brown	80 mV	0.80 mΩ	70,000 A²s

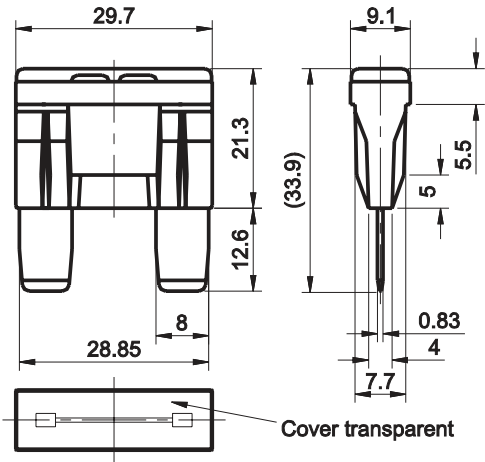
Corresponding holder see Section "Fuse Holders."

TOE MAXI® STYLE BLADE FUSE RATED 58V

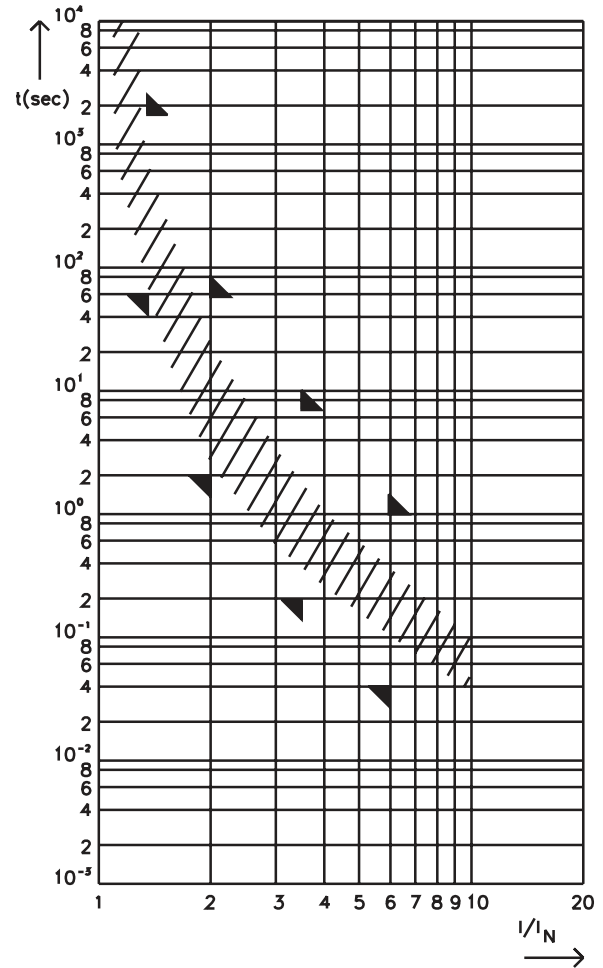


Dimensions

Dimensions in mm



Pre-Arcing Time-Limits



FI = 1.33 (max. operating current: $0.75 \times I_{rat}$ at 23°C)