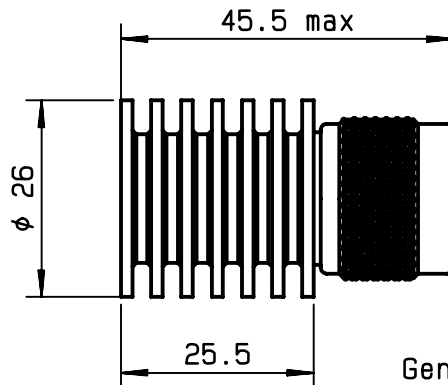


TITLE: 6 W 18GHZ N/m COAXIAL TERMINATION

LTR. C

DRAWING



General tolerances: +/- 0.5 mm

ELECTRICAL CHARACTERISTICS

FREQUENCY RANGE	:	DC - 18GHz
IMPEDANCE	:	50 Ohms
DC RESISTANCE	:	50 Ohms ± 5 %
AVERAGE POWER HANDLING	:	6 W at 75°C
PEAK POWER HANDLING	:	300 W (1 μs, 1%.) at 25°C
V.S.W.R :	DC - 4 GHz	: <= 1.15
	4 - 8 GHz	: <= 1.20
	8 - 12.4 GHz	: <= 1.25
	12.4 - 18 GHz	: <= 1.30

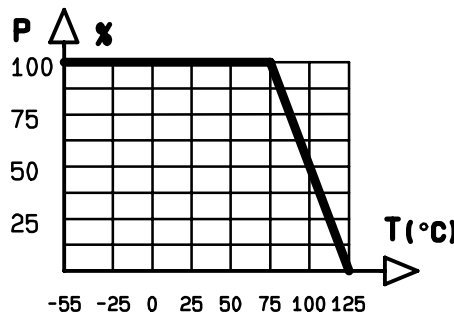
MECHANICAL CHARACTERISTICS

CONNECTOR	:	N male per MIL C 39012
MAXIMUM WEIGHT	:	60 grams

ENVIRONMENTAL CHARACTERISTICS

OPERATING TEMPERATURE RANGE (°C)	:	-55 , +125
STORAGE TEMPERATURE RANGE (°C)	:	-55 , +125

Power derating
Versus temperature



Tentative data subject to change without notice

PEN CAT	QUALITY Dpt App.					
			C	New format	22.10.92	PG
PAGE 1 / 1	DATE 26.01.90	NAME DP	B	New model	26.01.90	KL
LTR	REVISIONS			DATE	APP.	