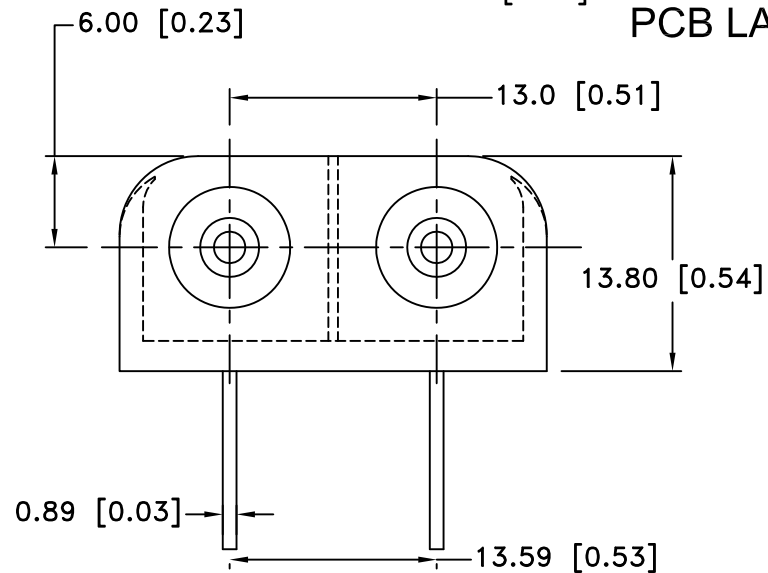
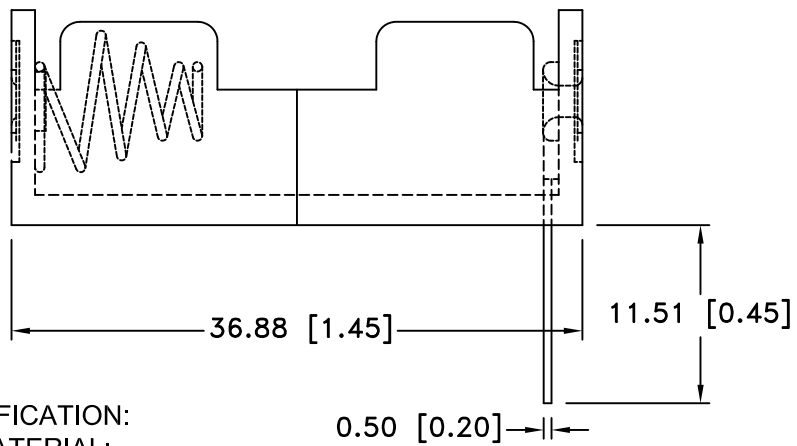
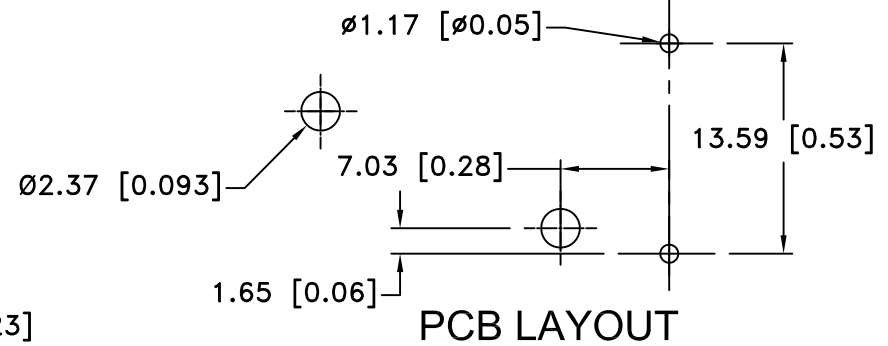



Date	SYM	REVISION RECORD	AUTH	DR.	CK.
9/10/06	A	ADDED "ROHS COMPLIANT"	T.B.	B.S.	
04/12/12	B	UPDATED SPECIFICATION	T.B.	B.S.	
12/05/14	C	UPDATED TO ROHS 2 COMPLIANT	T.B.	B.S.	
07/22/17	D	DIM. 14.80 WAS 15.50	T.B.	B.S.	



**SPECIFICATION:**

**1. MATERIAL:**

HOUSING : BLACK POLYPROPYLENE, PP-1040  
 FLAMMABILITY RATING -UL94-HB, UL FILE NO. E216959  
 TEMPERATURE RANGE: -10°C to +100°C  
 RIVETS: BRASS, NICKEL PLATED  
 PC PINS: STEEL, NICKEL PLATED  
 SPRING: SPRING STEEL, NICKEL PLATED  
 CONTACT RESISTANCE: UNDER 50mΩ FOR +/- CONTACTS PER EIA-540J000  
 ROHS 2 COMPLIANT

Tolerance (Except as noted)	 <b>Memory Protection Devices, Inc</b> 200 Broad Hollow Road, Farmingdale, New York 11735		
	decimal ±.5 (.020)	Scale	Drawn By B.S. Approved By T.B.
Fractional ± .8 (.030)	Title TWO "N" CELL HOLDER		
Angular ± 3°	Date 07/22/17	Drawing Number BH2NPC	