

CS-SST | Lever latches with key

Lock, stainless steel



- 1
- 2
- 3
- 4
- 5
- 6
- 7
- 8
- 9
- 10
- 11
- 12
- 13
- 14
- 15
- 16
- 17
- 18

STATOR AND ROTOR
AISI 316L stainless steel.

FRONT PLATE
Stainless steel.

NUT
AISI 303 stainless steel M19x1.

FLAT SPRING WASHER
AISI 304 stainless steel.

INTERNAL TOOTHED WASHER
AISI 430 stainless steel.

CLOSING LEVER
AISI 304 stainless steel, 2.5 mm thickness.
Assembly by means of AISI 304 stainless steel hexagon nut M6x0.75.

ROTATION
180°.

TWO KEYS
Nickel-plated brass, removable in two positions at 180°.

IP PROTECTION
IP 65 protection class, according to EN 60529 (see page A-19).

STRENGTH TO SALINE MIST
500 hours.

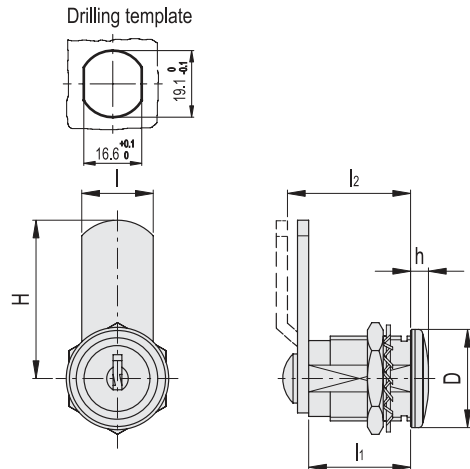
STANDARD EXECUTIONS

- **CS-SST**: lock with 400 different combinations: each lock has a couple of keys.
- **CS-M-SST**: lock with 190 different combinations and a master-key; each lock has a couple of keys. Two master-keys, are supplied for every purchase order.
- **CSU-SST**: lock with one combination. All locks have the same combination and can be opened with the same key. Each lock has a couple of keys.

SPECIAL EXECUTIONS AND ACCESSORIES

Closing levers in other dimensions.

Conversion Table			
1 mm = 0,039 inch			
H		l1	
mm	inch	mm	inch
20	0.78	20	0.78
32	1.25		
45	1.76		
46	1.80		



CS-SST

Code	Description	D	H	l	l1	l2	h	△
421441	CS.20-20-20-SST	24	20	16	20	-	4.5	45
421442	CS.20-32-20-SST	24	32	16	20	-	4.5	52
421443	CS.20-45-23-SST	24	45	16	20	23	4.5	60
421444	CS.20-46-20-SST	24	46	16	20	-	4.5	70

CS-M-SST

Code	Description	D	H	l	l1	l2	h	△
421446	CS.20-20-20-M-SST	24	20	16	20	-	4.5	45
421447	CS.20-32-20-M-SST	24	32	16	20	-	4.5	52
421448	CS.20-45-23-M-SST	24	45	16	20	23	4.5	60
421449	CS.20-46-20-M-SST	24	46	16	20	-	4.5	70

CSU-SST

Code	Description	D	H	l	l1	l2	h	△
421481	CSU.20-20-20-SST	24	20	16	20	-	4.5	45
421482	CSU.20-32-20-SST	24	32	16	20	-	4.5	52
421483	CSU.20-45-23-SST	24	45	16	20	23	4.5	60
421484	CSU.20-46-20-SST	24	46	16	20	-	4.5	70