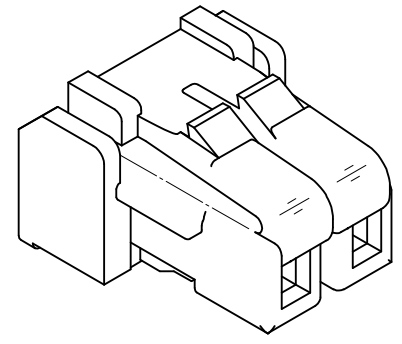
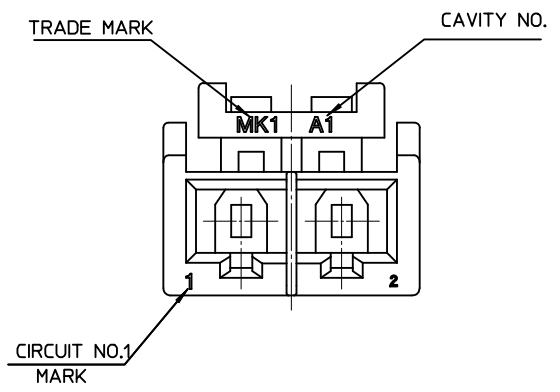
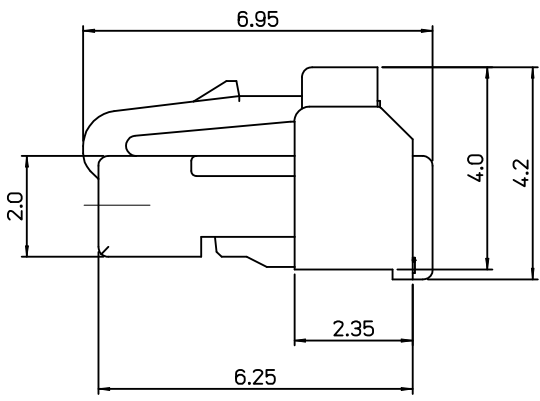
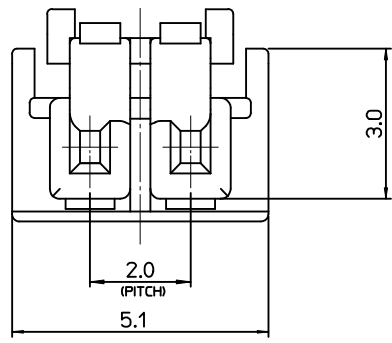


NOTES.

1. MATERIALS
LIQUID CRYSTAL POLYMER(LCP), GLASS FILLED, UL94V-0
COLOR OF NATURAL(TICONA VECTRA E471I)
2. MATED WITH : 104040-0207
3. APPLICABLE TERMINAL : 49946-8001
4. PRODUCT SPECIFICATION : PS-104040-001



ISO METRIC VIEW



<p>RELEASED EC NO: KOR2010-0018 DRWN:SKHAN 2009/08/07 CHKD:WY.YANG 2009/08/13 APPR:YUNSIKKIM 2009/08/17</p>	<p>QUALITY SYMBOLS ▽=0 ▽=0</p>	GENERAL TOLERANCES (UNLESS SPECIFIED)		DIMENSION STYLE MM ONLY		SCALE 10:1	DESIGN UNITS METRIC	THIRD ANGLE PROJECTION		
			mm	INCH	DRAWN BY SK.HAN	DATE 2009/07/10	TITLE HOUSING FOR 2.0MM W/B CONN. 2P			
		4 PLACES ± ---	± ---	± ---	CHECKED BY WY.YANG	DATE 2009/07/10				
		3 PLACES ± ---	± ---	± ---	APPROVED BY EH.JUNG	DATE 2009/07/10	MOLEX INCORPORATED DOCUMENT NO. SD-104041-001 SHEET NO. 1 OF 01			
2 PLACES ± 0.15	± ---	± ---	MATERIAL NO. 1040410290							
1 PLACE ± 0.25	± ---	± ---	DRAFT WHERE APPLICABLE MUST REMAIN WITHIN DIMENSIONS		SIZE A3		THIS DRAWING CONTAINS INFORMATION THAT IS PROPRIETARY TO MOLEX INCORPORATED AND SHOULD NOT BE USED WITHOUT WRITTEN PERMISSION			
ANGULAR ± 3 °										