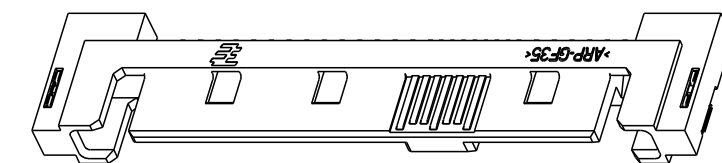
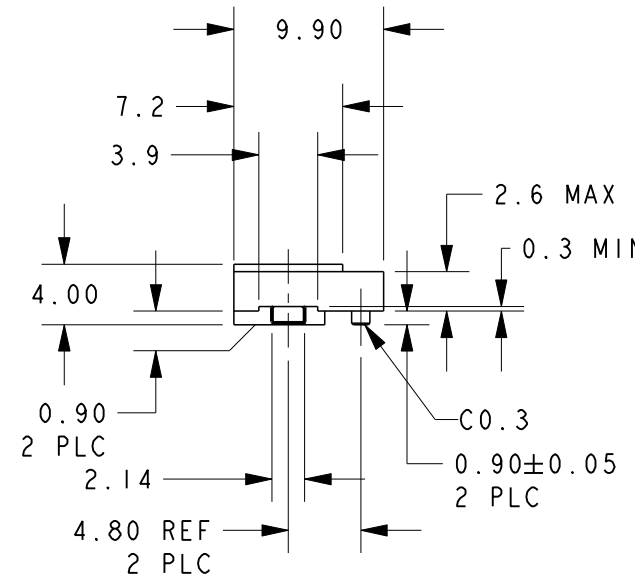
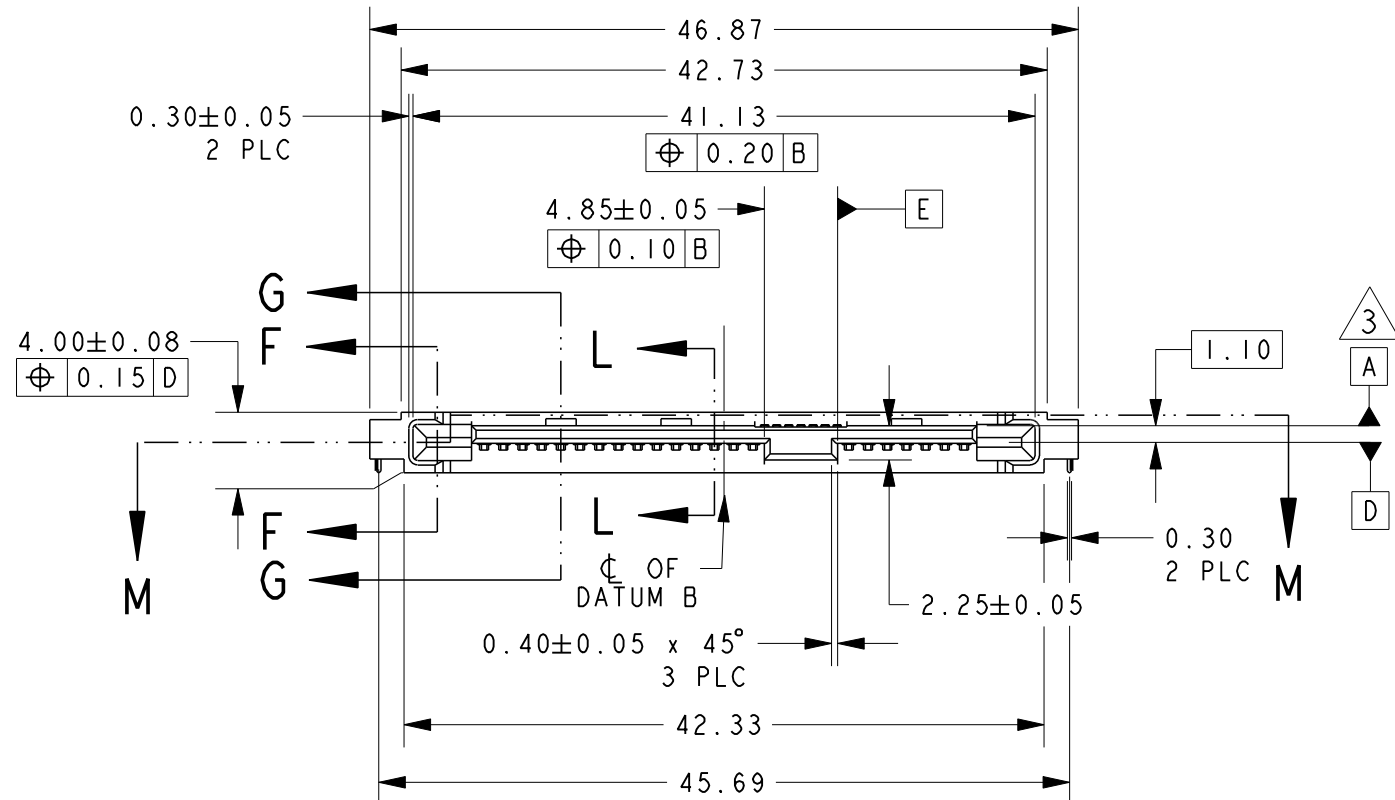


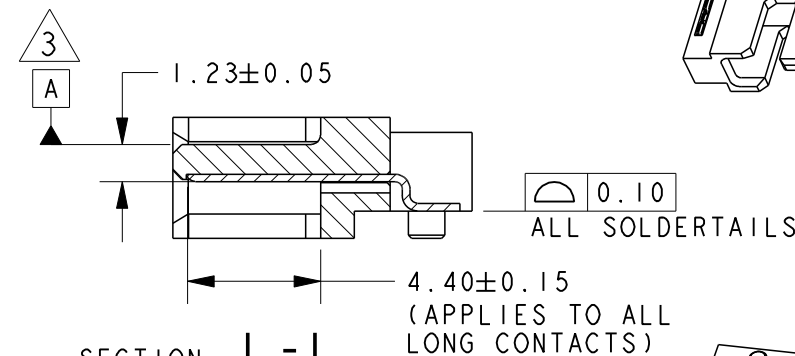
P	LTR	DESCRIPTION	DATE	DWN	APVD
B2		REVISED ECR-10-010315	08FEB2011	JC	LSF

NOTES:

- 1 MATERIAL
HOUSING: HIGH TEMPERATURE THERMOPLASTICS, GLASS FILLED, BLACK, UL94V-0, REGRIND 25% MAXIMUM
CONTACT: COPPER ALLOY
SOLDER PEG: COPPER ALLOY
- 2 FINISH
CONTACT: 0.76um MIN GOLD ON MATING AREA AND 1.91um MIN MATTE TIN (LEAD-FREE) ON SOLDER AREA
BOTH OVER 1.27um MIN NICKEL ENTIRE
SOLDER PEG: 2.54um MIN TIN (LEAD-FREE) OVER 1.27um MIN NICKEL ENTIRE
- 3 DATUM A IS DEFINED AS TOP SURFACE OF HOUSING

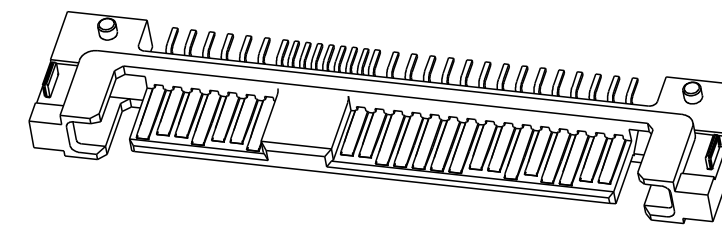


ISOMETRIC VIEW SCALE 2:1

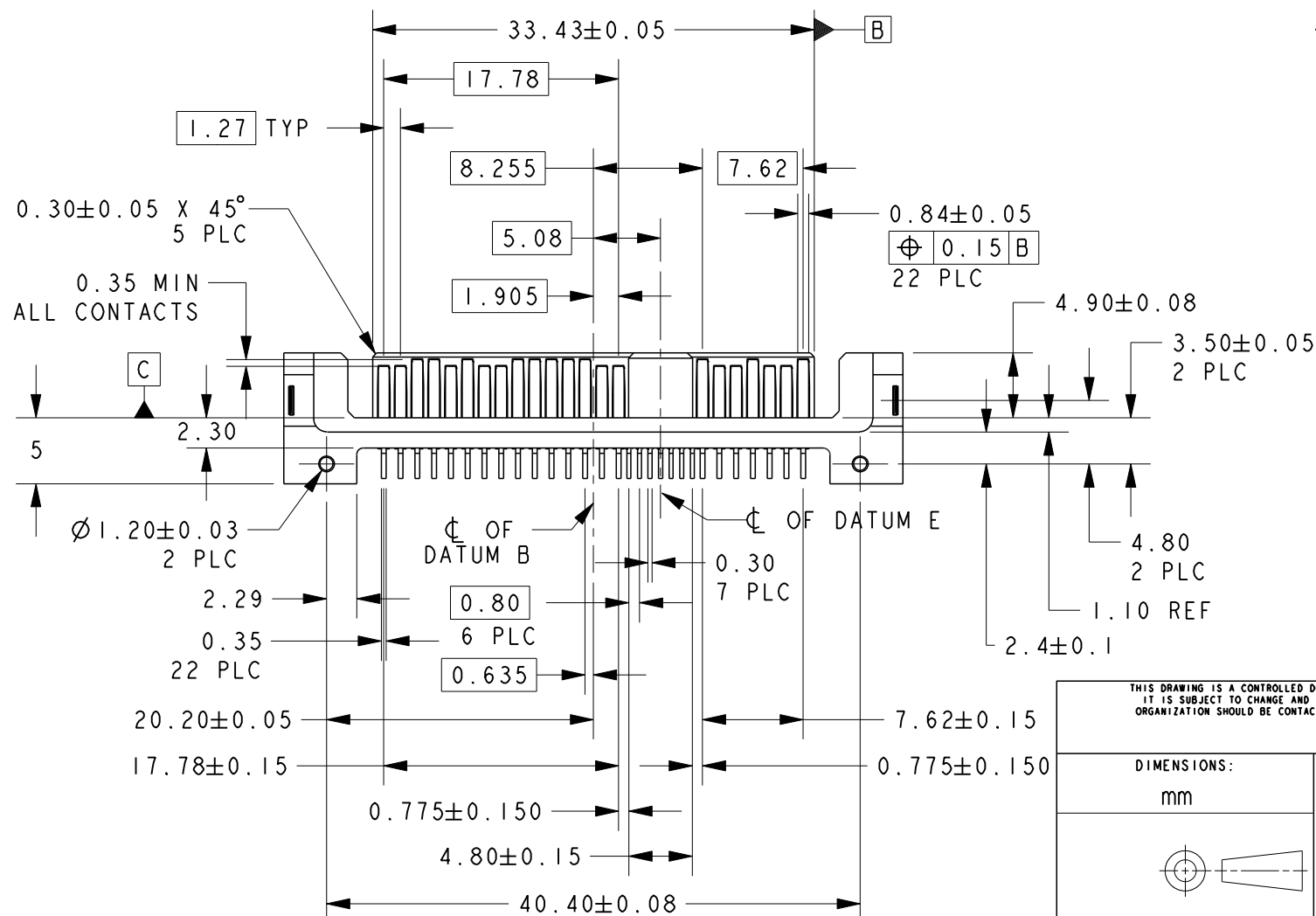


SECTION L-L SCALE 4:1

ALL SOLDER TAILS (APPLIES TO ALL LONG CONTACTS)



ISOMETRIC VIEW SCALE 2:1



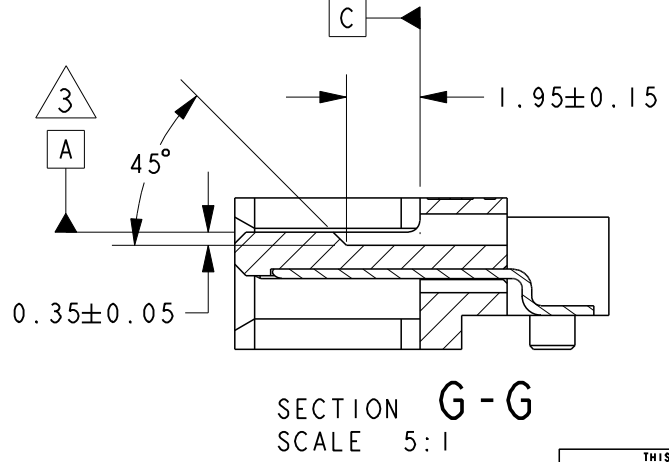
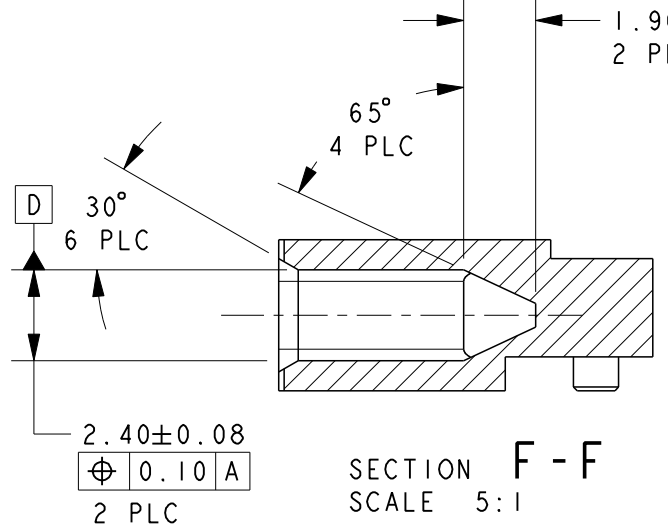
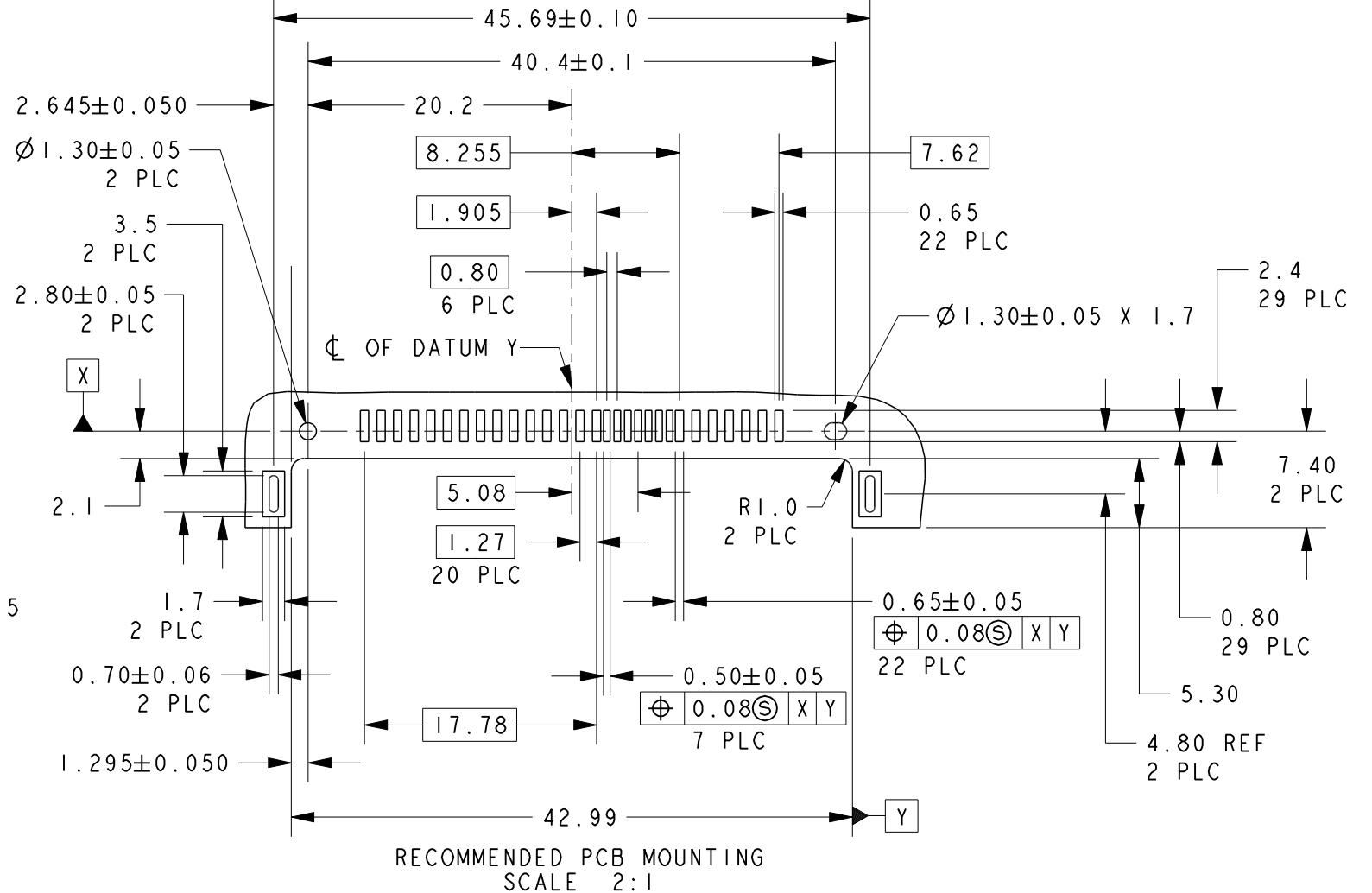
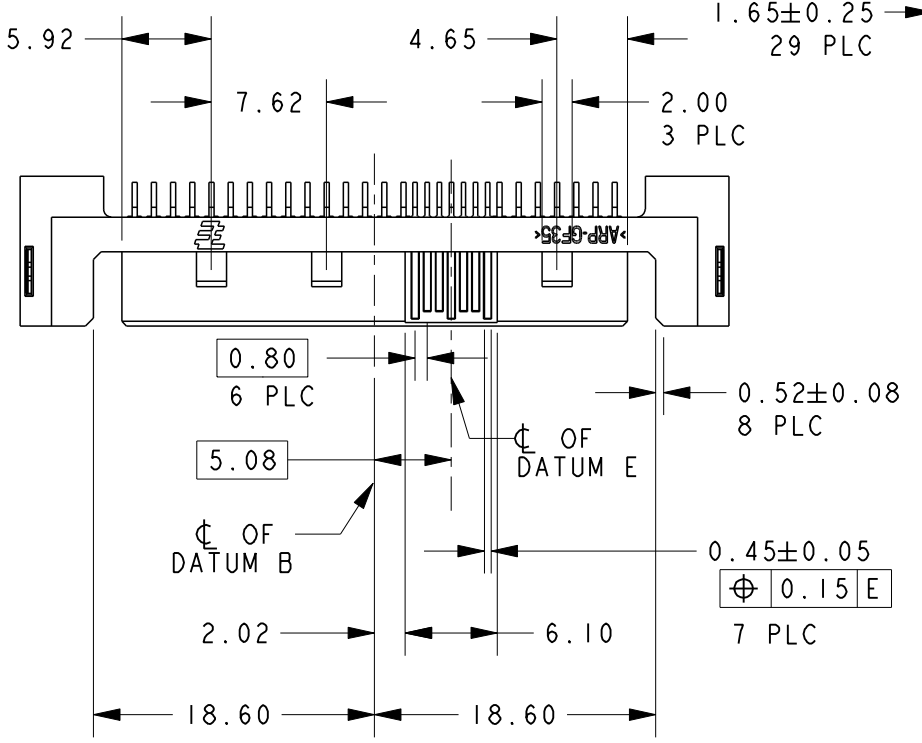
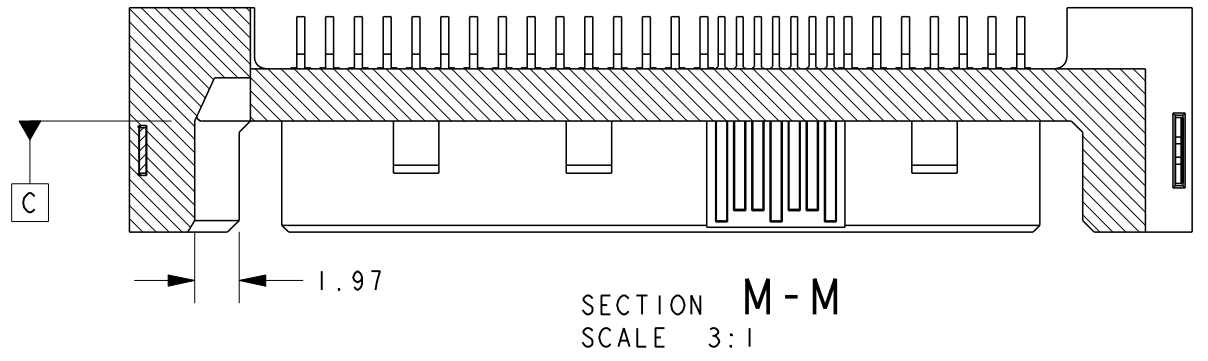
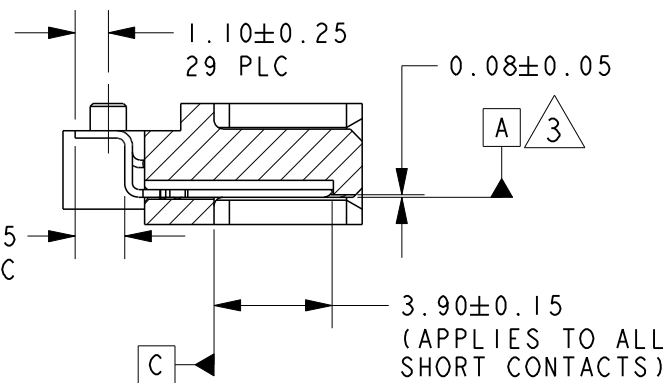
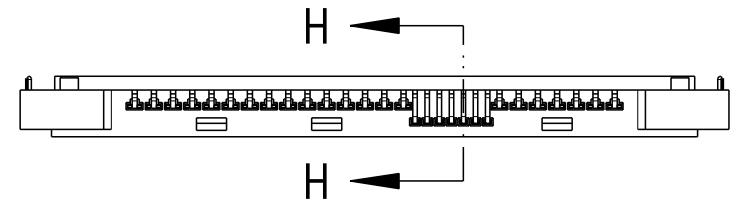
1735610-1

PART NO.

THIS DRAWING IS A CONTROLLED DOCUMENT FOR AMP INCORPORATED. IT IS SUBJECT TO CHANGE AND THE CONTROLLING ENGINEERING ORGANIZATION SHOULD BE CONTACTED FOR THE LATEST REVISION.		DWN WYLEE	18DEC07	Tyco Electronics Corporation Singapore	
DIMENSIONS: mm		CHK JASON CHOW	APVD SF LEONG	NAME SAS PLUG, SMT, 15+7+7P	
TOLERANCES UNLESS OTHERWISE SPECIFIED: 0 PLC ± 1 PLC ±0.15 2 PLC ±0.15 3 PLC ±0.15 4 PLC ± ANGLES ±2°		PRODUCT SPEC 108-51053	APPLICATION SPEC -	SIZE A3	CAGE CODE 00779
MATERIAL		WEIGHT 1.53g	DRAWING NO C-1735610	SCALE 2:1	SHEET 1 OF 2
FINISH		CUSTOMER DRAWING	REV B2		

THIS DRAWING IS UNPUBLISHED. RELEASED FOR PUBLICATION .19
 © COPYRIGHT 19 BY AMP INCORPORATED. ALL RIGHTS RESERVED.

LOC	DIST	REVISIONS					
DY	-	P	LTR	DESCRIPTION	DATE	DWN	APVD
				SEE SHEET 1			



THIS DRAWING IS A CONTROLLED DOCUMENT FOR AMP INCORPORATED. IT IS SUBJECT TO CHANGE AND THE CONTROLLING ENGINEERING ORGANIZATION SHOULD BE CONTACTED FOR THE LATEST REVISION.		DWN WYLEE 18DEC07	Tyco Electronics Corporation Singapore	
DIMENSIONS: mm		CHK JASON CHOW	NAME SAS PLUG, SMT, 15+7+7P	
TOLERANCES UNLESS OTHERWISE SPECIFIED: 0 PLC ± 1 PLC ±0.15 2 PLC ±0.15 3 PLC ±0.15 4 PLC ± ANGLES ±2°		APVD SF LEONG	DRAWING NO C-1735610	
MATERIAL		PRODUCT SPEC 108-51053	SIZE A3	CAGE CODE 00779
FINISH		APPLICATION SPEC -	WEIGHT 1.53g	SCALE 2:1
1		CUSTOMER DRAWING		SHEET 2 OF 2
2				REV B2