

**Ratings**

Voltage: 300 V  
 Temperature: -25 to 80 °C  
 Flammability: VW-1

**Conductor**

Conductor count: 2  
 Gauge: 26 AWG 0.14 mm<sup>2</sup>  
 Material: tinned copper strands  
 Strand size: Ø 0.16 mm x 7

**Insulator**

Material: PVC  
 Color: black, red  
 Diameter: Ø 1.1 ± 0.10 mm  
 Nominal thickness: 0.38 mm

**Drain**

Stranding: Ø 0.16 x 7, 26 AWG

**Shield**

Type: foil + braided  
 Material: aluminum mylar, tinned copper strands  
 Stranding: Ø 0.127 mm  
 Coverage: 80% minimum

**Outer jacket**

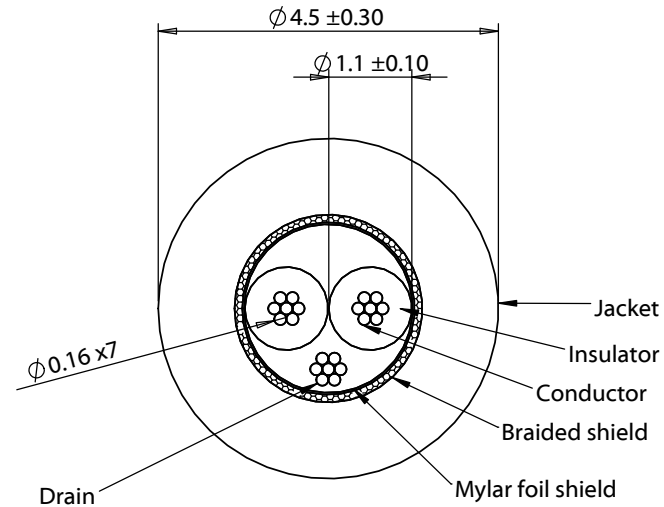
Material: PVC, 80A  
 Color: black  
 Diameter: Ø 4.5 ± 0.30 mm  
 Nominal thickness: 0.8 mm

**Wire marking:** E339579 UL AWM STYLE 2464 26 AWG 80°C  
 300V VW-1 --- cUL AWM I/II A 80°C 300V FT1 TENSILITY

**Tests**

Voltage test: 300 V  
 Spark test: 3.0 kV  
 Max resistance at 20 °C: 150 ohm/km  
 Insulation tensile strength: 2.11 kgf/mm<sup>2</sup>  
 Jacket tensile strength: 1.05 kgf/mm<sup>2</sup>  
 After aging at 113 ± 2 °C for 7 days:  
 Minimum tensile strength 70 % original  
 Minimum elongation 65 % original  
 Heat shock: 121 ± 1 °C / 1 hour, no observed degradation  
 Deformation: 121 ± 1 °C / 1 hour, ≤ 50 %  
 Cold bend: -10 ± 2 °C / 1 hour, no observed cracking  
 Dielectric test: 2000 Vac for 1 minute without breakdown

**Use:** Internal wiring or external interconnection of electronic equipment.



Revision:	Date:	Description:
A	04/09/2018	Initial release

Prepared: **RS**  
Digitally signed by RS  
 Date: 2018.04.11  
 11:25:01 -07'00'

Verified: **AW**  
Digitally signed by AW  
 Date: 2018.04.12  
 09:25:02 -07'00'

Dimensions are in millimeters.  
 Tolerances:  
 X: ± 0.5 mm  
 X.X: ± 0.3 mm  
 X.XX: ± 0.05 mm

Notes:  
 RoHS and REACH compliant

Function test: no open, no short circuit, no intermittent

Description:  
 Wire, 2C TS, 26 AWG, UL2464, 300V, 80C, 4.5 mm, shielded, VW-1, PVC, black

**TENSILITY**

tel 1.541.323.3228 800 877.670.7118  
 fax 1.541.323.4202 web tensility.com

Size: A	Part number: 30-01009
Scale: 10:1	Sheet 1 of 1